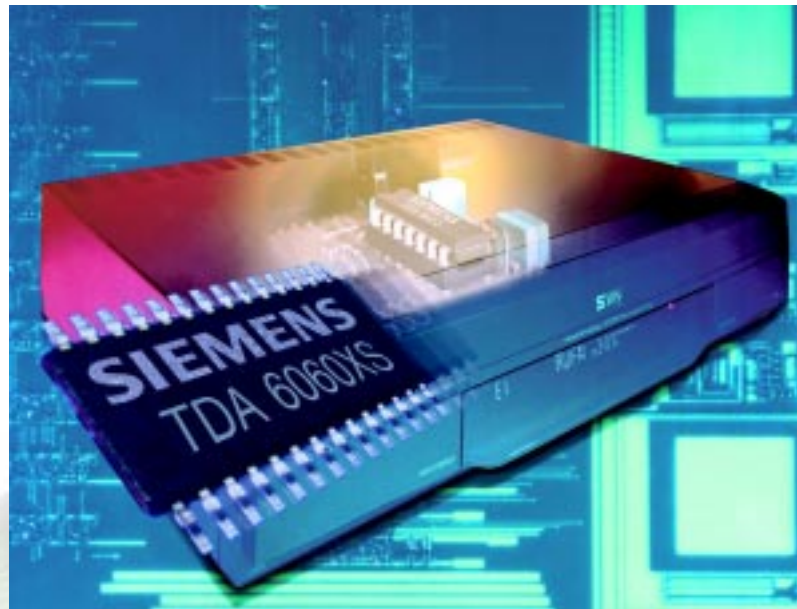


## Product Brief TDA 6060XS,-G

### Multistandard Modulator with PLL

The TDA 6060 device combines a digitally programmable phase locked loop (PLL), with a multistandard video modulator and a programmable sound FM and AM modulator.



#### Potential Application

- Analog set-top box
- Digital set-top box
- All modulator modules
- VCR (3 in 1 Tuner)

#### Features

- Rf-frequencies 30...950 MHz with adapted oscillator tank circuit
- Frequency increment 250 kHz
- Clamped video input with peak white level detection for I<sup>2</sup>C-Bus controlled gain setting
- 4 programmable sound carriers: 4.5 MHz, 5.5 MHz, 6 MHz (FM only), 6.5 MHz (FM and AM)
- I<sup>2</sup>C control of video gain, video modulation depth, picture/sound carrier ratio and audio modulation

- Symmetrical modulator output
- Fast I<sup>2</sup>C-Bus mode possible
- 1 high current switch outputs
- 5-level-A/D converter
- Lock-in flag
- Power-down flag
- Package P-TSSOP-28-1
- 5 V supply voltage

#### Price Projection

- Standard price list
- For Key and Focus accounts or high volumes you may contact your regional Siemens sales partner

#### Development and Support Tools

- Evaluation Board TDA 6060
- I<sup>2</sup>C-Bus-Interface and DOS or Windows 3.11 control software

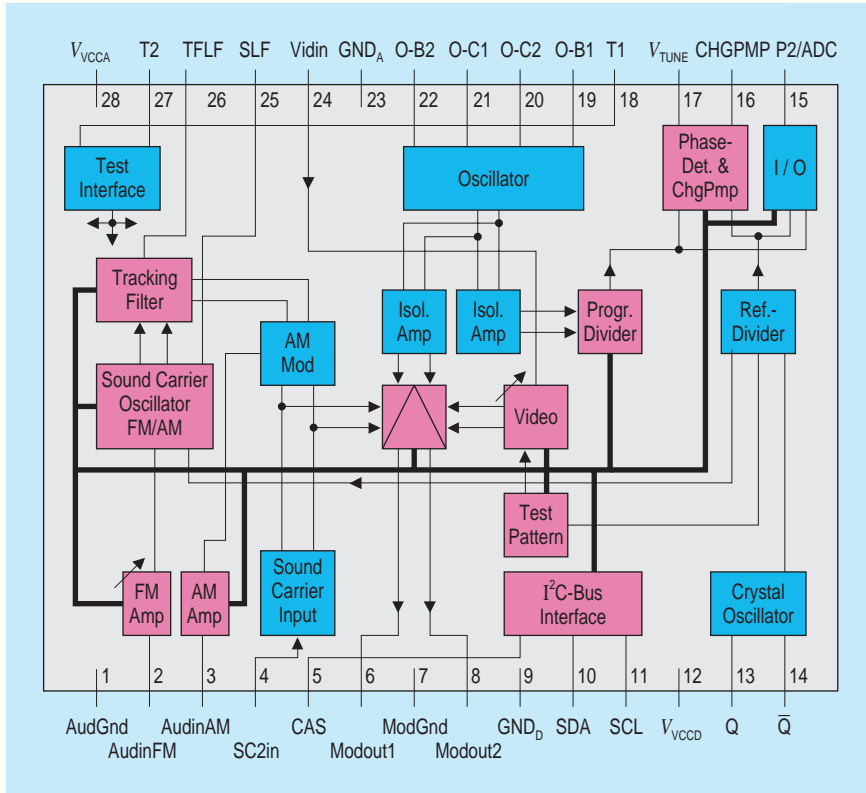
Features	Benefits
Multistandard	One modulator for all sets (worldwide use)
Few external components	No sound tank circuit
Switchable charge pump current of sound PLL	Fast setting of sound carrier frequency by high current (x5) charge pump mode
4 programmable chip addresses	Up to four 4 devices in one bus
Output port for sensitivity switch	No slide switch
Clipping flag	Enables automatic setting of video gain
Input for 2nd sound carrier	Stereo (NICAM) possible

#### Packing

Type	Ordering Code	Package
TDA 6060XS	Q67007-A5224	P-TSSOP-28-1
TDA 6060G	Q67037-A1047	P-TSSOP-28-1

TDA 6060XS,-G

# Block Diagram



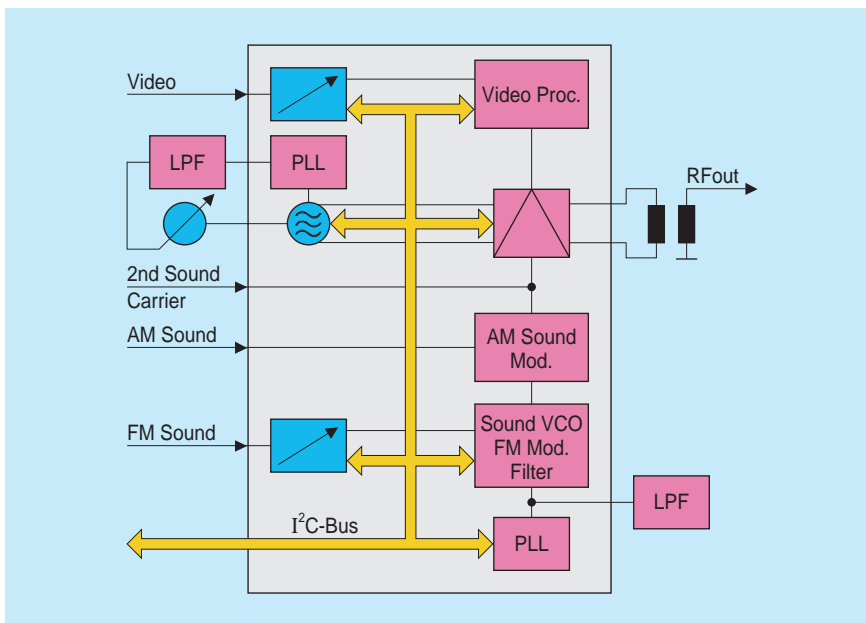
## Availability

**ES available;  
Product development release 04/98**

- A** Wien ☎ (+43) 1-1707-356 11
- AUS** Richmond (Melbourne), Vic. 3121 ☎ (+61) 3-9420 71 11
- B** Brussel/Bruxelles ☎ (+32) 2-536 23 48
- BR** São Paulo-SP ☎ (+55) 11-836 23 77/26 84
- CDN** Mississauga, Ontario L5T 1P2 ☎ (+1) 905-819 80 00
- CH** Zürich ☎ (+41) 1-495 30 65
- D** Düsseldorf ☎ (+49) 211-399 15 51  
Laatzten (Hannover) ☎ (+49) 511-877 27 06  
Nürnberg ☎ (+49) 911-654 76 22  
Stuttgart ☎ (+49) 711-137 33 14  
München ☎ (+49) 89-9221 40 86
- DK** Ballerup ☎ (+45) 4477-44 77
- E** Tres Cantos-Madrid ☎ (+34) 91-514 80 00
- F** Saint-Denis CEDEX 2 ☎ (+33) 1-4922 31 00
- FIN** Espoo (Helsinki) ☎ (+35) 9-5105 1
- GB** Berkshire RG 12 8FZ ☎ (+44) 1344-39 60 00
- GR** Amaroussio/Athen ☎ (+30) 1-686 41 11
- HK** Hong Kong ☎ (+852) 2832 05 00
- I** Milano ☎ (+39) 02-6676-1
- IND** New Delhi 110 014 ☎ (+91) 11-461 74 47  
Bangalore 560 001 ☎ (+91) 80-227 98 74  
Mumbai ☎ (+91) 22-496 21 99
- IRL** Dublin 4 ☎ (+353) 1-603 23 42
- J** Tokyo 141-0022 ☎ (+81) 3-5449 64 11
- MAL** Penang ☎ (+60) 4-644 99 75
- N** Oslo 5 ☎ (+47) 22-63 30 00
- NL** Den Haag ☎ (+31) 70-333 24 29
- NZ** Auckland ☎ (+64) 9-520 30 33
- P** Amadora ☎ (+35) 1-417 00 11
- PK** Islamabad ☎ (+92) 51-21 22 00
- PL** Warszawa ☎ (+48) 2-670 91 51
- RC** Taipei ☎ (+886) 2-2773 66 06
- ROK** Seoul 135-080 ☎ (+82) 2-527 77 00
- RUS** Moskva ☎ (+7) 095-237-64 76, -69 11
- S** Kista ☎ (+46) 8-703 35 00
- SGP** Singapore 349 253 ☎ (+65) 840 06 10
- TR** Findikli (Istanbul) ☎ (+90) 212-251 09 00
- USA** Cupertino, CA 95014 ☎ (+1) 408-777 45 00  
Cupertino, CA 95014 ☎ (+1) 408-257 79 10  
Iselin, NJ 08830-2770 ☎ (+1) 732-906 43 00
- VRC** Beijing ☎ (+86) 10-6857 90-06, -07  
Shanghai 200003 ☎ (+86) 21-6361 26 18/19
- ZA** Halfway House 1685 ☎ (+27) 11-652-20 00, -27 00

Documentation	Date of Issue/Version
Specification	3/98
Application	10/98
Articles/Press Releases	
– Elektronik-Praxis	8/97
– Radio/Fernsehen/Elektronik	9/97
– Markt & Technik	10/97

## Basic Functions



How to reach us:

<http://www.siemens.de/semiconductor>

© Siemens AG 1998.

All Rights Reserved.

Please note that any information contained in this publication may be subject to change. Siemens reserves the right to make changes to or to discontinue any product or service identified in this publication without notice.

Please contact our regional offices to receive the latest version of the relevant information to verify, before placing orders, that the information being relied upon is current.

All brand or product names, hardware or software names are trademarks of their respective companies or organizations.

Published by Semiconductor Group

Siemens Aktiengesellschaft

Ordering No. B168-H7384-X-X-7600  
Printed in Germany  
PS 11983.