

PLEASE CHECK WWW.MOLEX.COM FOR LATEST PART INFORMATION

Part Number: **0476420001**
Status: **Active**
Overview: micro_usb
Description: 0.65mm (.026") Pitch Micro-USB B Receptacle, Mid-Mount, SMT, with Through Hole Solder Tab, Gold (Au) Flash Plating, without Mylar, Lead Free

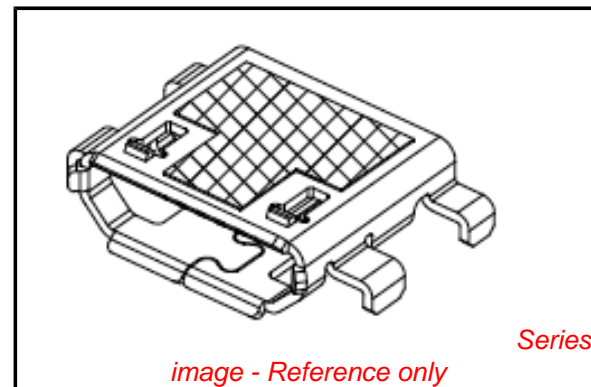
Documents:

[3D Model](#) [Product Specification PS-47642-001 \(PDF\)](#)
[Drawing \(PDF\)](#) [RoHS Certificate of Compliance \(PDF\)](#)

General

| | |
|--------------------------------|--------------------------------|
| Product Family | I/O Connectors |
| Series | <u>47642</u> |
| Application | Wire-to-Board |
| Comments | Mid Mount Type |
| Component Type | Receptacle |
| Overview | <u>micro_usb</u> |
| Product Name | Micro-USB |
| Type | B |
| Physical | |
| Boot Color | N/A |
| Circuits (Loaded) | 5 |
| Circuits (maximum) | 5 |
| Color - Resin | Black |
| Gender | Male |
| Keying to Mating Part | Yes |
| Lock to Mating Part | Yes |
| Material - Metal | Copper Alloy |
| Material - Plating Mating | Gold |
| Material - Plating Termination | Gold |
| Material - Resin | High Temperature Thermoplastic |
| Number of Rows | 1 |
| Orientation | Right Angle |
| PCB Locator | No |
| PCB Retention | Yes |
| Packaging Type | Embossed Tape on Reel |
| Panel Mount | No |
| Pitch - Mating Interface (in) | 0.026 In |
| Pitch - Mating Interface (mm) | 0.65 mm |
| Pitch - Term. Interface (in) | 0.026 In |
| Pitch - Term. Interface (mm) | 0.65 mm |
| Plating min: Mating (µin) | 2 |
| Plating min: Mating (µm) | 0.05 |
| Plating min: Termination (µin) | 2 |
| Plating min: Termination (µm) | 0.05 |
| Polarized to Mating Part | Yes |
| Polarized to PCB | Yes |
| Ports | 1 |
| Surface Mount Compatible (SMC) | Yes |
| Temperature Range - Operating | -20°C to +85°C |
| Termination Interface: Style | Surface Mount |
| Waterproof / Dustproof | No |
| Wire Size AWG | N/A |

Electrical



EU RoHS

**ELV and RoHS
Compliant**
**REACH SVHC
Contains SVHC: No**
**Halogen-Free
Status**

China RoHS



**Need more information on product
environmental compliance?**

Email productcompliance@molex.com
 For a multiple part number RoHS Certificate of Compliance, [click here](#)

Please visit the [Contact Us](#) section for any non-product compliance questions.

Search Parts in this Series

[47642Series](#)

Mates With

[68784](#) Micro-USB Cable Plugs

| | |
|-------------------------------|---------------|
| Current - Maximum per Contact | 1.8A, 1A |
| Grounding to Panel | Yes |
| Shield Type | Full Shield |
| Shielded | Yes |
| Voltage - Maximum | 100V AC (RMS) |

Solder Process Data

| | |
|--|---------------------------|
| Duration at Max. Process Temperature (seconds) | 2 |
| Lead-free Process Capability | Reflow Capable (SMT only) |
| Max. Cycles at Max. Process Temperature | 1 |
| Process Temperature max. C | 255 |

Material Info

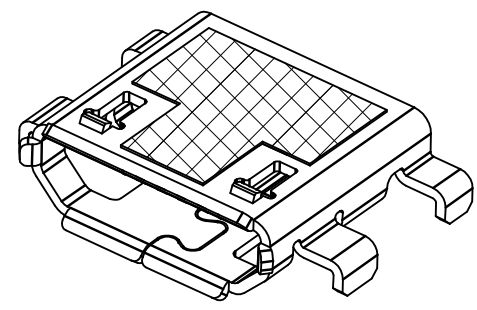
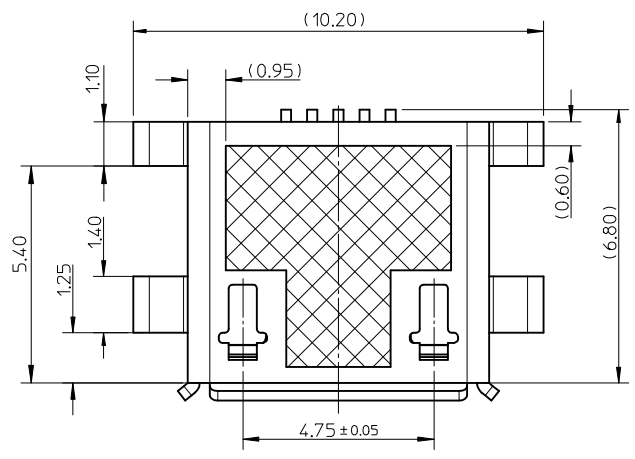
Reference - Drawing Numbers

| | |
|-------------------------|--------------|
| Packaging Specification | PK-47642-001 |
| Product Specification | PS-47642-001 |
| Sales Drawing | SD-47642-001 |

This document was generated on 05/19/2010

PLEASE CHECK WWW.MOLEX.COM FOR LATEST PART INFORMATION

F

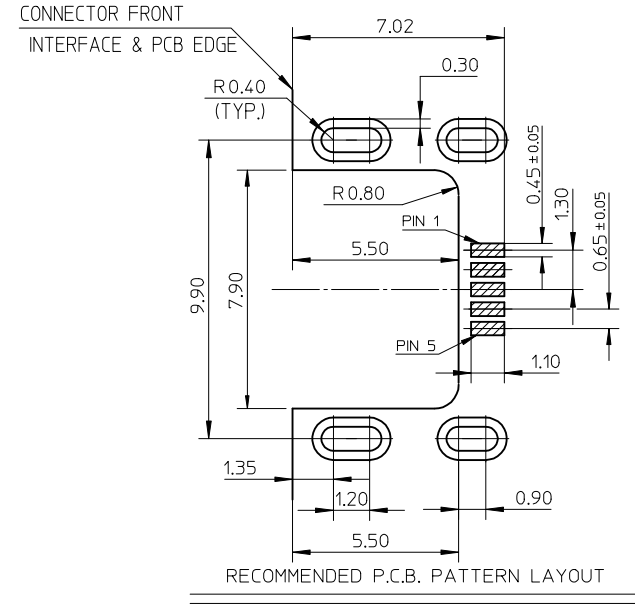
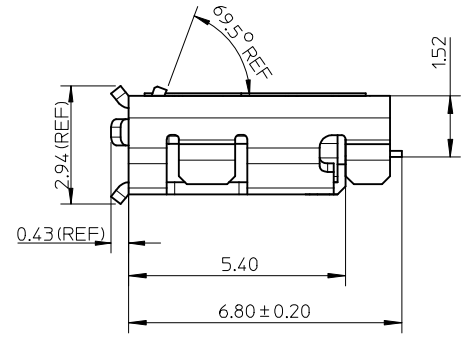
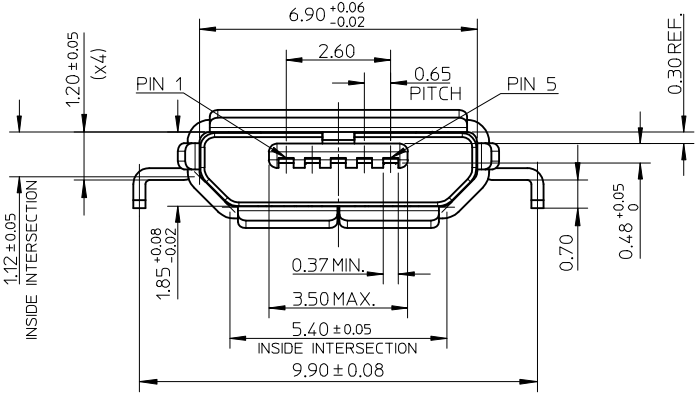


NOTE :

- MATERIAL :
 HOUSING : LCP, BLACK, UL94V-0
 TERMINAL : COPPER ALLOY THICKNESS = 0.15 MM
 SHIELD CASE : STAINLESS STEEL THICKNESS = 0.30 MM
- PLATING :
 TERMINAL:
 CONTACT AREA : GOLD FLASH OVER 0.75 MICRON MINIMUM Pb/Ni.
 SOLDER TAIL AREA : GOLD FLASH.
 UNDER PLATING : NICKEL 2.0 MICRON MINIMUM.
 SHIELD :
 MATTE TIN 2.0 MICRON MINIMUM.
 UNDER PLATING : NICKEL 1.27 MICRON MINIMUM.
- TAIL & NAIL COPLANARITY 0.08 mm MAXIMUM.
- PRODUCT SPEC.: PS-47642-001, PACKAGE SPEC.: PK-47642-001
- PRODUCT COMPLIANT TO RoHS DIRECTIVE 2002/95/EC AND ELV DIRECTIVE 2000/53/EC

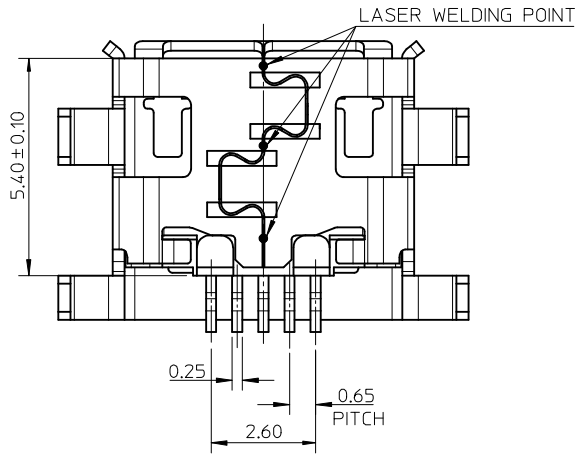
E

D



C

B



| | |
|-------------|----------|
| PART NUMBER | MYLAR |
| 47642-0001 | WHITHOUT |
| 47642-0011 | WITH |

| | | | | | | | | | | |
|---|-------------------------------|---------------------------------------|---|----------------------------|--------------|--------------|---|------------------------|-----------|--|
| NEW RELEASE EC NO: SH2009-0195 DRWNL:SONG 2008/10/07 CHKD:XJSONG 2008/10/08 APPR:HWANG 2008/10/30 | QUALITY SYMBOLS ▽=0 ◻=0 | GENERAL TOLERANCES (UNLESS SPECIFIED) | | DIMENSION STYLE MM ONLY | | SCALE 8:1 | DESIGN UNITS METRIC | THIRD ANGLE PROJECTION | | |
| | | 4 PLACES | ± --- | ± --- | DRAWN BY | DATE | TITLE | | | |
| | | 3 PLACES | ± --- | ± --- | CHECKED BY | DATE | MICRO USB B REC. MID MOUNT THROUGH HOLE ASS'Y | | | |
| | | 2 PLACES | ± 0.25 | ± --- | JTIAN | 2008/01/04 | MOLEX INCORPORATED | | | |
| 1 PLACE | ± 0.25 | ± --- | APPROVED BY | DATE | MATERIAL NO. | | DOCUMENT NO. | | SHEET NO. | |
| | | ANGULAR ± 3 ° | HWANG | 2008/01/04 | SEE CHART | | SD-47642-001 | | 1 OF 1 | |
| DRAFT WHERE APPLICABLE MUST REMAIN WITHIN DIMENSIONS | | | THIS DRAWING CONTAINS INFORMATION THAT IS PROPRIETARY TO MOLEX INCORPORATED AND SHOULD NOT BE USED WITHOUT WRITTEN PERMISSION | | | | | | | |