

To all our customers

---

## **Regarding the change of names mentioned in the document, such as Mitsubishi Electric and Mitsubishi XX, to Renesas Technology Corp.**

---

The semiconductor operations of Hitachi and Mitsubishi Electric were transferred to Renesas Technology Corporation on April 1st 2003. These operations include microcomputer, logic, analog and discrete devices, and memory chips other than DRAMs (flash memory, SRAMs etc.) Accordingly, although Mitsubishi Electric, Mitsubishi Electric Corporation, Mitsubishi Semiconductors, and other Mitsubishi brand names are mentioned in the document, these names have in fact all been changed to Renesas Technology Corp. Thank you for your understanding. Except for our corporate trademark, logo and corporate statement, no changes whatsoever have been made to the contents of the document, and these changes do not constitute any alteration to the contents of the document itself.

Note : Mitsubishi Electric will continue the business operations of high frequency & optical devices and power devices.

Renesas Technology Corp.  
Customer Support Dept.  
April 1, 2003

**M61005FP**

**DISTANCE DETECTION SIGNAL PROCESSING FOR 3V SUPPLY VOLTAGE**

**DESCRIPTION**

M61005FP is a semiconductor integrated circuit containing distance detection signal processing circuit for 3V supply voltage.  
 This device transforms each optical inflow current I1 and I2 from PSD SENSOR into the voltage, and integrates that output after doing calculation corresponds to  $I1/(I1+I2)$ , and outputs it as the voltage data.

**FEATURES**

- Wide supply voltage range  $V_{cc} = 2.2$  to  $5.5V$
- Includes clamp level switching circuit (Switch is 15 kinds by outside control)
- Includes infinity judge function
- Includes POWER ON RESET function
- Includes Simple temperature detection function (This output voltage is inputted to the microcomputer, and temperature compensation is possible.)

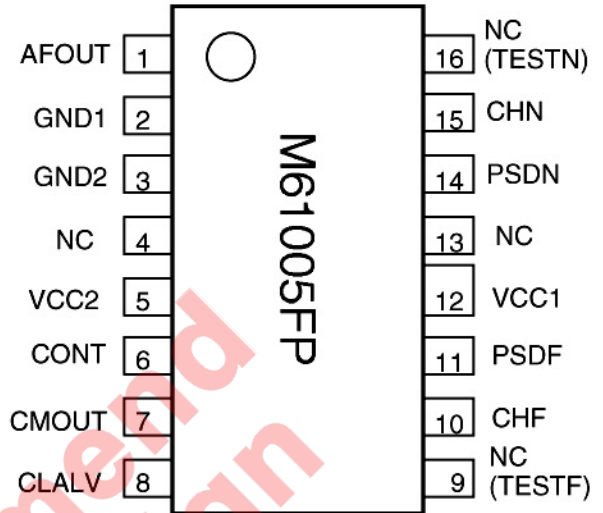
**APPLICATION**

Auto focus control for the CAMERA  
 Sensor for short distance etc

**RECOMMENDED OPERATING CONDITION**

Supply voltage ..... 2.2 to 5.5V  
 Rated supply voltage ..... 3.0V

**PIN CONFIGURATION (TOP VIEW)**

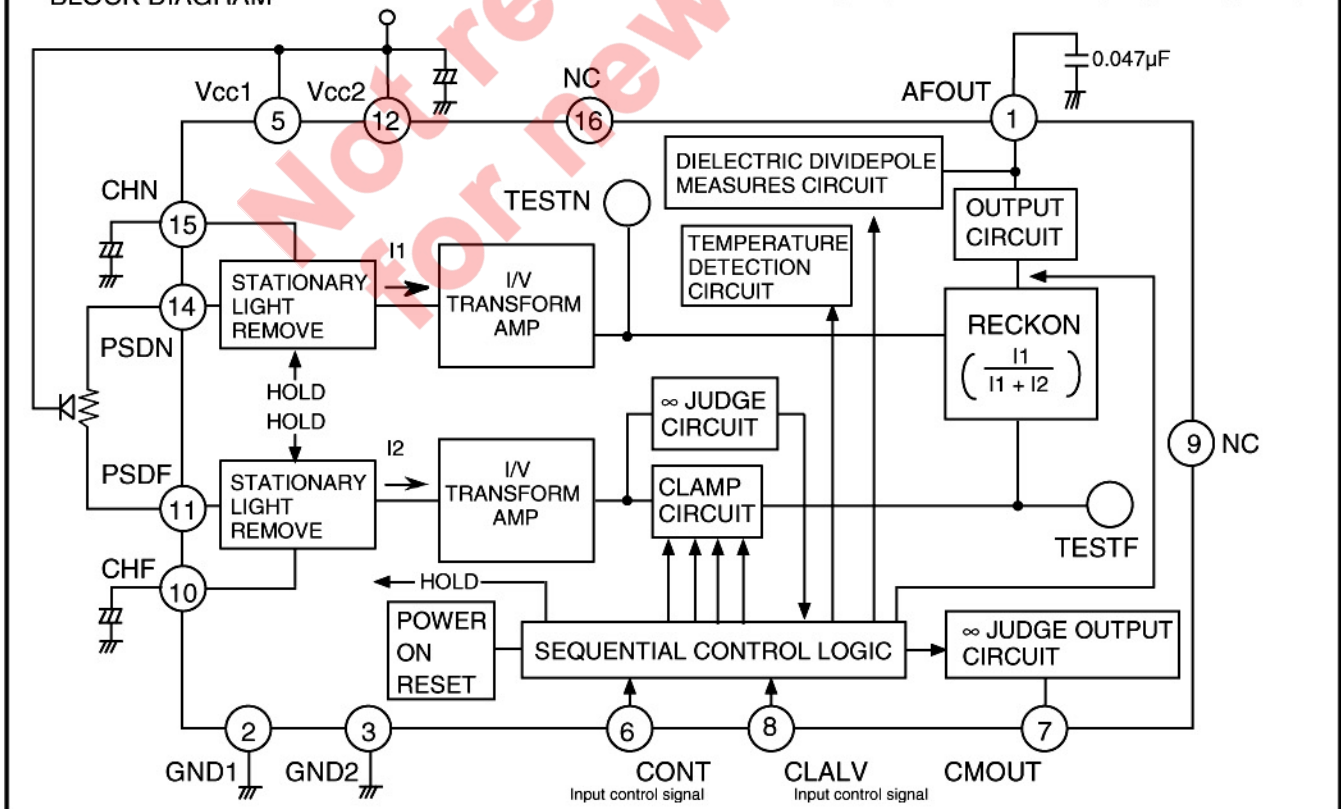


Outline 16P2E

Note: pin9,16 is connected only engineering sample  
 Vcc1,GND1:Use small signal  
 Vcc2,GND2:Use non small signal

**BLOCK DIAGRAM**

Note: pin9,16 is connected only engineering sample



## ABSOLUTE MAXIMUM RATINGS (Ta = 25°C ,unless noted)

Parameter	Symbol	Ratings	Unit	Remark
Supply voltage	Vcc	7.0	V	note 1
Power dissipation	Pd	320	mW	Ta = 25°C
Thermal derating	K $\theta$	- 3.2	mW/°C	Ta $\geq$ 25°C
Pin supply voltage	VIF	7.0	V	Pin6,7,8
Another pin supply voltage	VI/O	0 to Vcc + 0.3	V	note 2
Output pin inflow current	Icmout	0.5	mA	NPN open collector
Operating temperature	Topr	- 10 to 50	°C	
Storage temperature	Tstg	- 40 to 125	°C	

note 1:As a principle,do not provide a supply voltage reversely.

note 2:As a principle,do not provide the terminals with the voltage over supply voltage or under ground voltage.

## ELECTRICAL CHARACTERISTICS (Ta=25°C, Vcc=3.0V, unless otherwise noted)

Classification	Parameter	Symbol	Test conditions	Limits			Unit	Note
				Min.	Typ.	Max.		
	Operating supply voltage range	VCC		2.2	3.0	5.5	V	
Consuming current	Usual consuming current	ICC1		-	3.5		mA	
	While Rapid charge consuming current 1	ICC2	While AFOUT rapid charge consuming current VAFOUT = 0V	-	8.5		mA	*1
	While Rapid charge consuming current 2	ICC3	While CH rapid charge consuming current	-	9.5		mA	*1
CONT pin	CONT "H" input voltage	VCOH		0	-	0.3	V	
	CONT "L" input voltage	VCLL		-	-	0.3	V	
	CONT "H" input current	ICLH	VIH=5.5V	-	-	1.0	μA	
	CONT "L" input current	ICLL	VIL=0V	-100	-75	-50	μA	
CLALV pin	CLALV "H" input voltage	VCLH		1.1	-	7.0	V	
	CLALV "L" input voltage	VCLL		0	-	0.3	V	
	CLALV "H" input current	ICLH	VIH=5.5V	-	-	1.0	μA	
	CLALV "L" input current	ICLL	VIL=0V	-78	-60	-42	μA	
HOLD C	CH rapid charge current	ICHQC	IPSD=5μA, VCH=0V	-2000	-1000	-500	μA	*1
	CH stationary charge current	ICHC	VCH=0V	-30	-20	-10	μA	*1
	CH stationary discharge current	ICHD	VCH=1.5V	10	20	30	μA	*1
Integration circuit	AFOUT reset current	IROUT	VAFOUT=0.5V	500	1000	2000	μA	*1
	AFOUT integrating off current	I AFOUT1	VAFOUT=0.5V	-	-	1.0	μA	*1
	AFOUT integration current	I AFOUT2	VAFOUT=0.5V VCHF=2.0V, VCHN=0V	7.0	10.0	13.0	μA	*1
	AFOUT correction for temperature integration current	I AFOUT3	VAFOUT=0.5V	3.5	5.0	6.5	μA	*1
	CMOUT leak current	ICMOUTH	VCMOUT=5.5V	-	-	1.0	μA	*1
	CMOUT saturation voltage	VCMOUTL	ICMOUT=500μA		-	0.3	V	*2
Sensor	Signal light saturation current	ΔINF		3.0	-	-	μA	*2
	Stationary light remove current	IPSD		-	-	30	μA	
Clamp level	Clamp level	ICLAM	Change quantity for TYP current	-50	-	50	%	

\*1 Set up the logic control terminal, correspond to the parameter.

\*2 The input current of one side channel when stationary light remove circuit and I/V transform AMP is not saturated.



## DESCRIPTION OF PIN

Pin name	Circuit diagram	Parameter	Limits			Unit	Test conditions and note	
			Min.	Typ.	Max.			
CONT CLALV		"H"input voltage	1.1	—	7.0	V		
		"L"input voltage	0	—	0.3			
		"H"input current	—	—	1.0	$\mu$ A		VIH=5.5V
		"L"input current	-78	-60	-42			VIL=0V
AFOUT		"H"input voltage	—	—	VCC -1.2	V		
		"L"input voltage	0	—	0.3			
		Integration OFF current	—	—	1.0	$\mu$ A		VF=0.5V
		Integration ON current (Ratio10:0)	-13	-10	-7			VF=0.5V
CMOUT		"L"output voltage	—	—	0.3	V	IOL=500 $\mu$ A	
		"H"leak current	—	—	1.0	$\mu$ A	VIN=5.5V	

## CONTROLS

(1) CONT •••• This terminal implements the following controls by inputted clock.

- a. AFOUT rapid charge •••• After reset is started , the capacity of AFOUT is charged rapidly until first clock rises.
- b. CH rapid charge •••• The capacity of CH is charged rapidly from first clock falls to second clock falls.
- c. AFOUT reset 1 •••• This control implements resetting AFOUT terminal from first clock falls to second clock falls.
- d . Temperature detection current ON •••• This control outputs temperature detection current from AFOUT terminal from third clock falls to forth clock falls.
- e . Temperature detection current A/D converter •••• AFOUT terminal voltage is implemented A/D converter by microcomputer from forth clock falls to fifth clock falls.  
This value is used correction for temperature of distance detection calculation result.  
Temperature is corrected by microcomputer.
- f . AFOUT reset 2 •••• This control implements resetting AFOUT terminal from fifth clock falls to sixth clock falls.
- g . Stationary light hold •••• This control holds stationary light from seventh clock rises to eighth clock rises.  
After seventh clock, this control holds stationary light from odd-numbered clock rises to next even-numbered clock rises.
- h . AF integration •••• This control outputs current from AFOUT terminal equivalent to distance detection result from seventh clock falls to eighth clock falls.  
After seventh clock, this control outputs current from AFOUT terminal from odd-numbered clock falls to next even-numbered clock falls.  
AFOUT voltage that more than one time repeated this condition is implemented A/D converter by microcomputer.

(notice) As the signal from microcomputer, the signal that controls IRED ON/OFF is required.

(3) CLALV ..... This terminal sets up clamp level and resets a logic.

- a. Clamp level ..... As including D/A of 4bit,15way clamp level setting is possible by inputting clock after reset is canceled(include none clamp).
- b. Logic reset ..... This terminal resets a logic in IC at fifteenth clock  
In case of consecutive distance detection with VCC ON condition , it needs resetting logic.

Set up current value of each bit is on the right table.  
The number of input clock and set up clamp level is as follows.

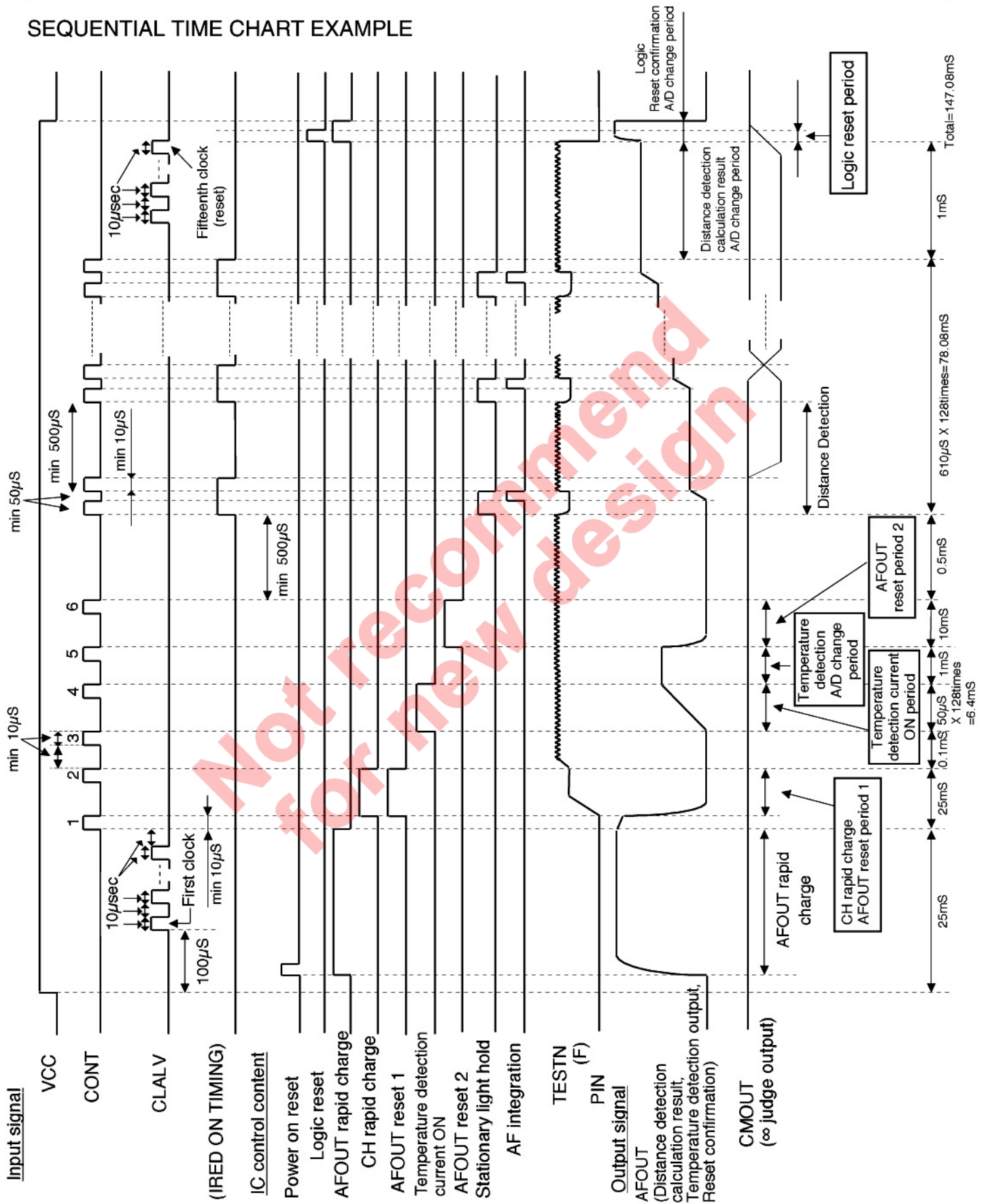
bit	Set up current (Typ.)
1	0.125nA
2	0.25nA
3	0.5nA
4	1.0 nA

Clock value	Clamp level(Typ.)	Clock value	Clamp level(Typ.)
0	None clamp	12	1.500 nA
1	0.125 nA	13	1.625 nA
2	0.250 nA	14	1.750 nA
3	0.375 nA	15	None clamp,Logic reset
4	0.500 nA	16	0.125 nA
5	0.625 nA	17	0.250 nA
6	0.750 nA	18	0.375 nA
7	0.875 nA	19	0.500 nA
8	1.000 nA	20	0.625 nA
9	1.125 nA	:	:
10	1.250 nA	:	:
11	1.375 nA	:	:

Clamp level is established with fall edge of input clock. It repeats the same value after 15 clock.



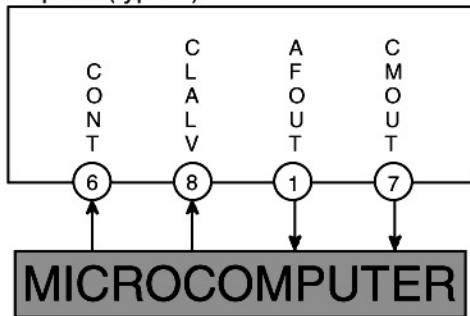
SEQUENTIAL TIME CHART EXAMPLE



MASK OPTION

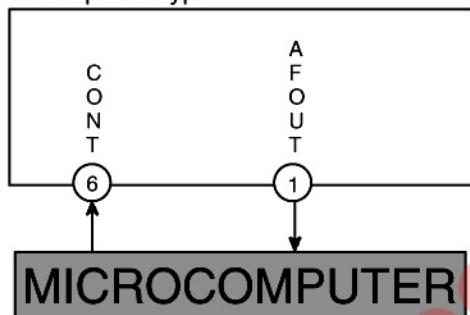
(1) Control terminal variation

① Full spec (typical)



This type uses CONT, CLALV, AFOUT, CMOUT terminal as I/F terminal to the microcomputer. This is the typical type at M61005FP.

② Most simplified type



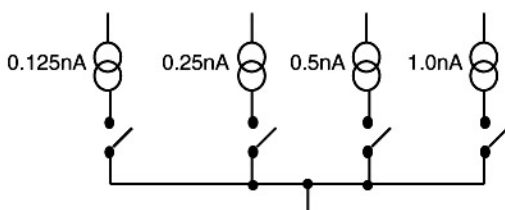
This type does not connect CLALV, CMOUT terminals to the microcomputer. When above mentioned terminals are not connected to the microcomputer without changing mask, connect each terminal to the ground. In this case, clamp level becomes 0. And Power on reset in IC is used as reset.

③ Explanation of the terminal that can be simplified.

(a) CLALV ..... In the typical type, 15 way clamp levels can be set by the external control, but also the terminal can be simplified by mask option as follows.

(I) Clamp level fixation ..... Selects 1 point from 15 steps of clamp level and fixes it.

(II) Clamp level 2 step changeover ..... Selects 2 points from clamp level and switches it by changing CLALV terminal HIGH/LOW. However, as selecting 2 points, there is a following constraint.



Fixes 3 parts of 4 switches correspond to each bit in figure to ON or OFF. controls another part by CLALV terminal.

(b) CMOUT ..... When an infinity decision function shouldn't be necessary, it is possible that a CMOUT terminal is removed.

## —Note regarding these materials—

- These materials are intended as reference to assist our customers in the selection of the Mitsubishi semiconductor product best suited to the customer's application; they do not convey any license under any intellectual property rights, or any other rights, belonging to Mitsubishi Electric Corporation or a third party.
- Mitsubishi Electric Corporation assumes no responsibility for any damage, or infringement of any third-party's right, originating in the use of any product data, diagrams, charts of circuit application examples contained in these materials.
- All information contained in these materials, including product data, diagrams and charts, represent information on products at the time of publication of these materials, and are subject to change by Mitsubishi Electric Corporation without notice due to product improvements or other reasons. It is therefore recommended that customers contact Mitsubishi Electric Corporation or an authorized Mitsubishi Semiconductor product distributor for the latest product information before purchasing a product listed herein.
- Mitsubishi Electric Corporation semiconductors are not designed or manufactured for use in a device or system that is used under circumstances in which human life is potentially at stake. Please contact Mitsubishi Electric Corporation or an authorized Mitsubishi Semiconductor product distributor when considering the use of a product contained herein for special applications, such as apparatus or systems for transportation, vehicular, medical, aerospace, nuclear repeater use.
- The prior written approval of Mitsubishi Electric Corporation is necessary to reprint or reproduce in whole or in part these materials.
- If these products or technologies are subject to the Japanese export control restrictions, they must be exported under license from the Japanese government and cannot be imported into a country other than the approved destination. Any diversion or reexport contrary to the export control laws and regulations of Japan and/or the country of destination is prohibited.
- Please contact Mitsubishi Electric Corporation or an authorized Mitsubishi Semiconductor product distributor for further details on these materials or the products contained therein.