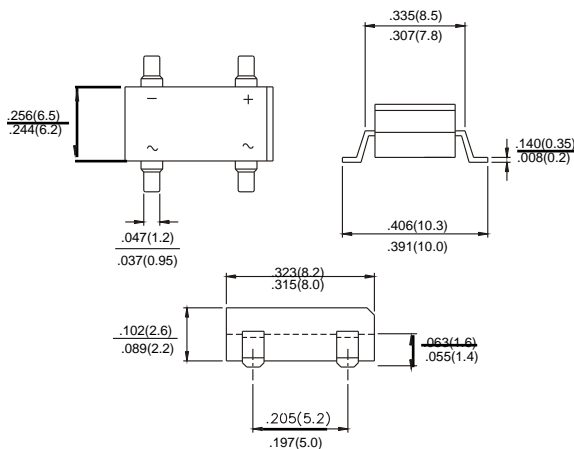
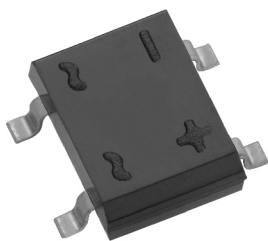


DF005SF thru DF10SF

SINGLE-PHASE GLASS PASSIVATED SMD BRIDGE RECTIFIERS

VOLTAGE - 50 TO 1000 VOLTS CURRENT - 1.0 AMPERES



Dimensions in inches and (millimeters)

FEATURES

- Rating to 1000V PRV
- Ideal for printed circuit board
- Low Forward Voltage drop, high current capability
- Reliable low cost construction utilizing molded Plastic technique results in inexpensive product
- Lead tin Pb/Sn copper
- The plastic material has UL flammability Classification 94V-0

MECHANICAL DATA

Polarity: As marked on Body
 Weight: 0.02 ounces, 0.38 grams
 mounting position: Any

MAXIMUM RATINGS AND ELECTRICAL CHARACTERISTICS

Ratings at 25°C ambient temp. unless otherwise specified
 Single phase, half sine wave, 60Hz, resistive or inductive load
 For capacitive load, derate current by 20%

	SYMBOL	DF005SF	DF01SF	DF02SF	DF04SF	DF06SF	DF08SF	DF10SF	UNITS
Maximum Repetitive Peak Reverse Voltage	V_{RRM}	50	100	200	400	600	800	1000	Volts
Maximum RMS Voltage	V_{RMS}	35	70	140	280	420	560	700	Volts
Maximum DC Blocking Voltage	V_{DC}	50	100	200	400	600	800	1000	Volts
Maximum Average Forward Rectified Current @ $T_A=40^\circ\text{C}$	$I_{(AV)}$	1.0							Amps
Peak Forward Surge Current, 8.3ms Single Half Sine-Wave Superimposed on Rated Load	I_{FSM}	50							Amps
Maximum Instantaneous Forward Voltage Drop per Bridge Element at 1.0A	V_F	1.1							Volts
Maximum DC Reverse @ $T_A=25^\circ\text{C}$ at rated DC Blocking Voltage @ $T_A=125^\circ\text{C}$	I_R	10 500							μA
Rating for fusing ($t < 8.3\text{ms}$)	$I^2 t$	10.4							A^2S
Typical Junction capacitance (Note 1)	C_J	25							pF
Typical Thermal resistance (Note 2)	$R_{\theta JC}$	40							$^\circ\text{C} / \text{W}$
Operating and Storage Temperature Range	T_J T_{STG}	-55 to +150							$^\circ\text{C}$

NOTES :

1. Measured at 1.0 MHz and Applied Reverse Voltage of 4.0 Volts
2. Thermal Resistance From Junction to Ambient mounted on P.C.B with 0.5 x 0.5" (13x13mm) copper pads

DF005SF thru DF10SF

SINGLE-PHASE GLASS PASSIVATED BRIDGE RECTIFIERS

RATING AND CHARACTERISTICS CURVES DF005SF THRU DF10SF

Fig. 1 - MAXIMUM FORWARD SURGE CURRENT

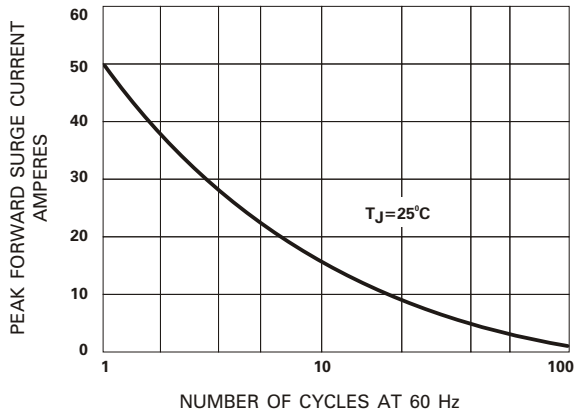


Fig. 2 - DERATING CURVE
OUTPUT RECTIFIED CURRENT

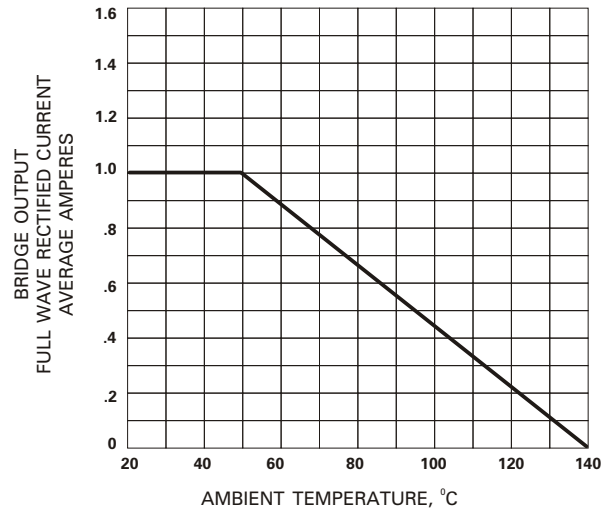


Fig. 3 - TYPICAL FORWARD CHARACTERISTICS

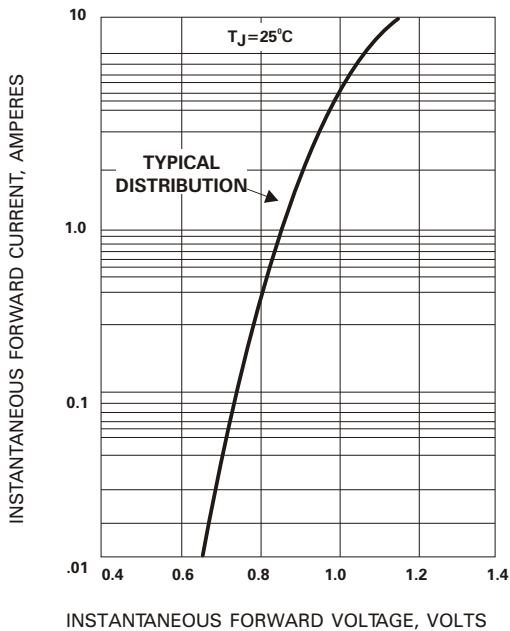


Fig. 4 - TYPICAL REVERSE CHARACTERISTICS

