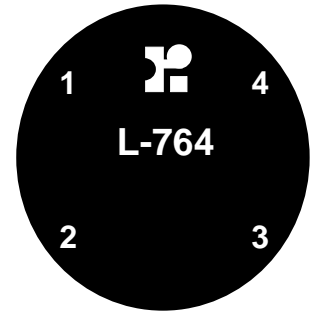
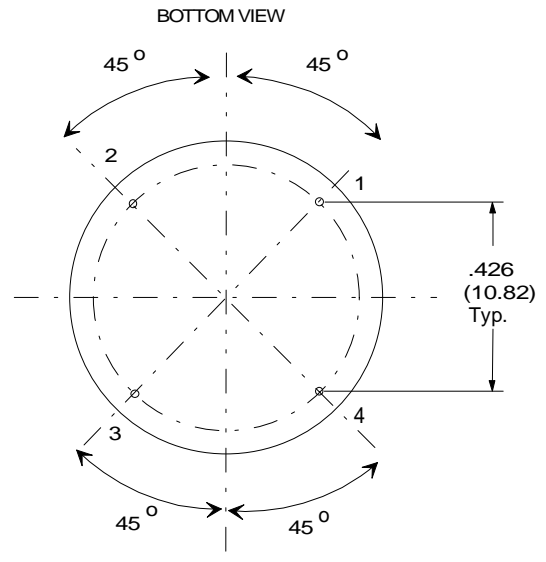
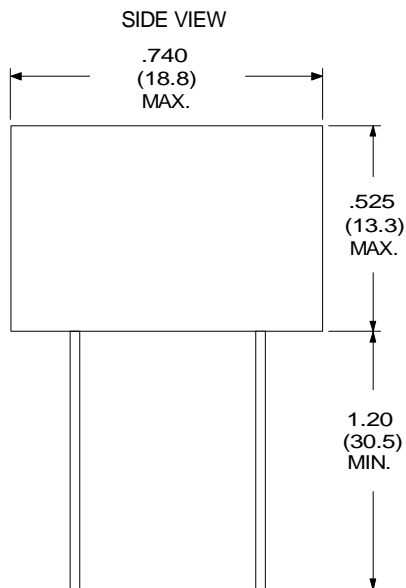


INDUCTOR

PARAMETER @25°C	MIN.	TYP.	MAX.	UNITS
Inductance	250			mH
DC Resistance		26		Ohms
Distributed Capacitance		45		Pf



PHYSICAL DIMENSIONS inches (mm)



SCHEMATIC DIAGRAM



RHOMBUS P/N: **L764**

CUST P/N:

NAME:

DATE: **01/03/02**

SHEET: 1 OF 1