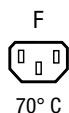


IEC Appliance Plug F, 70°C



Screw-On Version



70° C

**Description**

- Panel Mount:
Screw-on from rear-side
- Outlet, Pin temperature 70 °C, Protection class I
- For PCB mounting
- We recommend for new applications the new type 5001
- On phase-out, not recommended for new design

Approvals

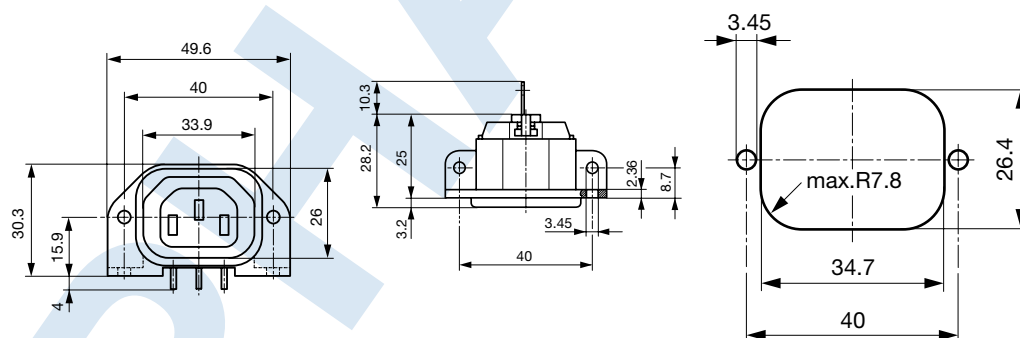
- VDE License Number: 65981
- UL License Number: E93616

Weblinks

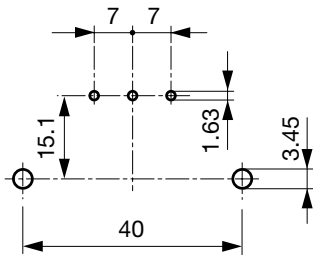
Approvals, RoHS, CHINA-RoHS, e-Store, SCHURTER-Stock-Check, Distributor-Stock-Check

Technical Data

Ratings IEC	10 A / 250VAC; 50Hz	Appliance-Inlet/-Outlet	F acc. to IEC/EN 60320-2-2, UL 498, CSA C22.2 no. 42 (for cold conditions) pin-temperature 70 °C, 10A, Protection class I
Ratings UL/CSA	15 A / 250VAC; 60Hz		
Dielectric Strength	> 2kVAC between L-N > 2kVAC between L/N-PE (50Hz)		
Allowable Operation Temp.	-25 °C to 70 °C		
Degree of Protection	from front side IP 30 acc. to IEC 60529		
Protection Class	Suitable for appliances with protection class I acc. to IEC 61140		
Terminal	For PCB mounting ; Ground terminal: Quick connect terminals 4.8 x 0.8 mm straight		
Panel Thickness s	Screw-on: max 3mm Mounting screw torque max 0.5Nm		
Material: Housing	Thermoplastic, black, UL 94V-0		

Dimensions

Drilling diagrams



Variants

[Distributor-Stock-Check](#) | [SCHURTER-Stock-Check](#) | [e-Store](#)

Panel mounting	Panel Thickness s [mm]	Order Number
Screw-on	3	4300.0251

Packaging unit 30 Pcs