

725 5421

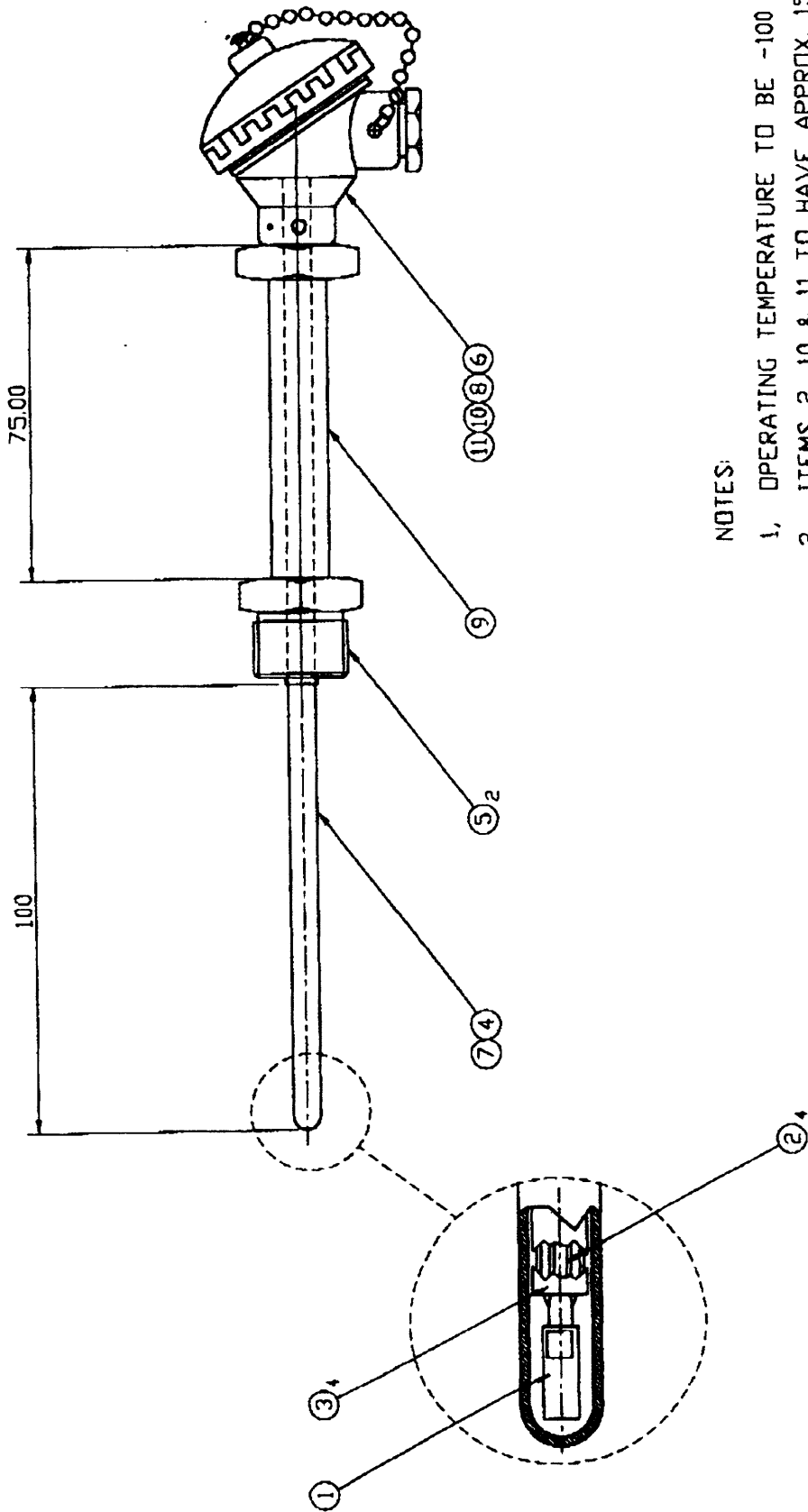
DRAWING No
010007TD

DO NOT SCALE



THIRD ANGLE PROJECTION

IF IN DOUBT ASK



CONTROLLED

NOTES:

- 1, OPERATING TEMPERATURE TO BE -100 TO +450°C.
- 2, ITEMS 2, 10 & 11 TO HAVE APPROX. 150mm, COILED UP INSIDE ITEM 6.

DRAWING No 010007TD		TITLE 100mm PT100 PROCESS SENSOR ASSY.		DRAWN J.S.C	CHECKED	DATE 19.11.98	SCALE N.T.S
LABFACILITY LIMITED, 99 WALDOGRAVE ROAD, TODDINGTON, MIDDLESEX, TW11 0LR. TEL 0181 9435331 FAX 0181 9434351		TOLERANCE: +0.25 UNLESS STATED OTHERWISE -0.25 DOES NOT APPLY TO ASSY. DWGS		DRAWING No.		DRAWING No. 010007TD	
MATERIAL N/A		PART NUMBER FARNELL 725-5421		SHEET 1 OF 2 SHEETS		SHEET SIZE: A3	
FINISH N/A		THIS DRAWING REMAINS THE PROPERTY OF LABFACILITY LIMITED AND MAY NOT BE REPRODUCED WITHOUT OUR PERMISSION		REASON FOR CHANGE		DATE	
B	REFER TO ICN 0018	J.S.C	19.05.99	APP	DATE	19.11.98	
A	REFER TO NDR 0008	J.S.C	19.11.98	DRAWN	APP	19.11.98	
ISSUE							