



TAI-SAW TECHNOLOGY CO., LTD.

No. 3, Industrial 2nd Rd., Ping-Chen Industrial District,
Taoyuan, 324, Taiwan, R.O.C.

TEL: 886-3-4690038 FAX: 886-3-4697532

E-mail: tstsales@mail.taisaw.com Web: www.taisaw.com

Approval Sheet For Product Specification

Issued Date:

Product Name: SAW IF Filter 380MHz

TST Parts No.: TB 0122A

Customer Parts No.: _____

Company: _____
Division: _____
Approved by : _____
Date: _____

Checked by: _____ Andy Lee

Approval by: _____ Francis Chen

Date: _____ 2,25 ,2005



TAI-SAW TECHNOLOGY CO., LTD.

No. 3, Industrial 2nd Rd., Ping-Chen Industrial District,
Taoyuan, 324, Taiwan, R.O.C.

TEL: 886-3-4690038 FAX: 886-3-4697532

E-mail: tstsales@mail.taisaw.com Web: www.taisaw.com

SAW IF Filter 380 MHz

MODEL NO.: TB0122A

REV. NO.:5

A. MAXIMUM RATING:

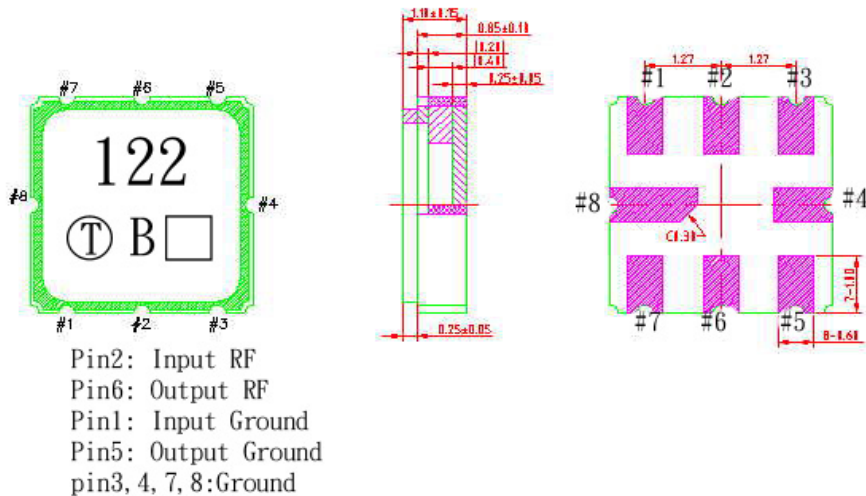
1. Input Power Level: 10 dB_m
2. DC voltage: 0 V
3. Operating Temperature: -30°C to +70°C
4. Storage Temperature: -30°C to +70°C

RoHS Compliant
Lead free
Lead-free soldering

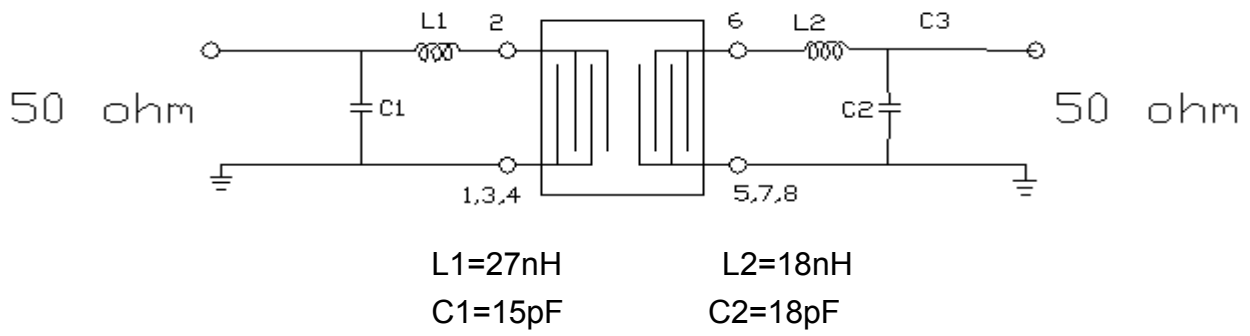
B. ELECTRICAL CHARACTERISTICS:

Item	Unit	Min.	Typical.	Max.	Note
Center frequency, F_c	MHz	-	380	-	
Insertion Loss, IL	dB	-	9.7	11	
Passband width, BW₃	MHz	4.8	7.81		
Phase Linearity in F _c ±2MHz (RMS)	Deg	-	1.7	3	
Attenuation:(Reference level from Min IL)					
360-373 MHz	dB	28	38	-	
387-400 MHz	dB	28	36	-	
Ultimate Rejection	dB		50	-	
Substrate Material	LiTaO ₃				

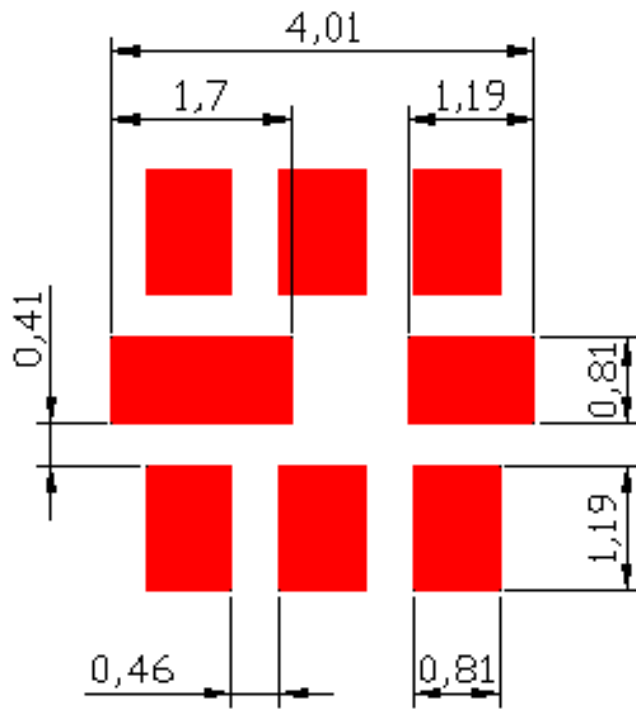
C. OUTLINE DRAWING:



D. MATCHING CIRCUIT:



E. PCB FOOTPRINT:



F. FREQUENCY CHARACTERISTICS:



Fig-1 S21 Response Horizontal: 3MHz/Div
 Vertical: 7dB/Div

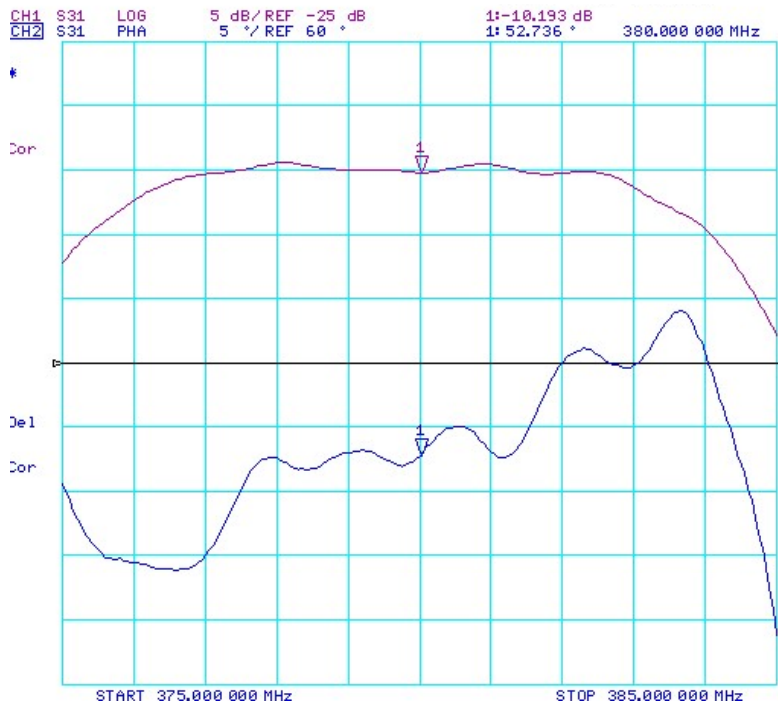


Fig-2 Phase Linearity Horizontal: 1MHz/Div
 Vertical: 5 dB/Div Vertical: 5 deg/Div

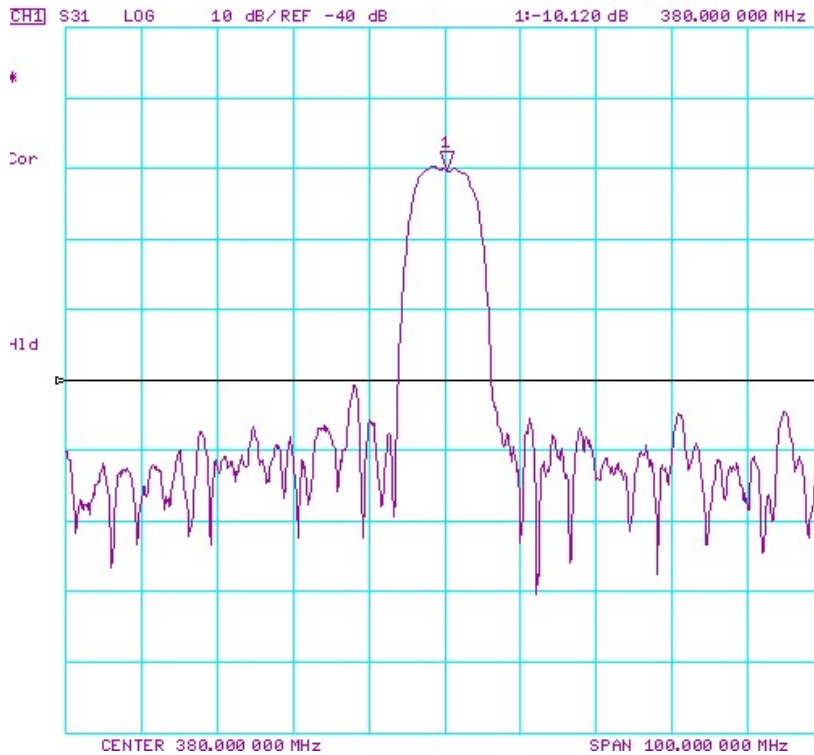
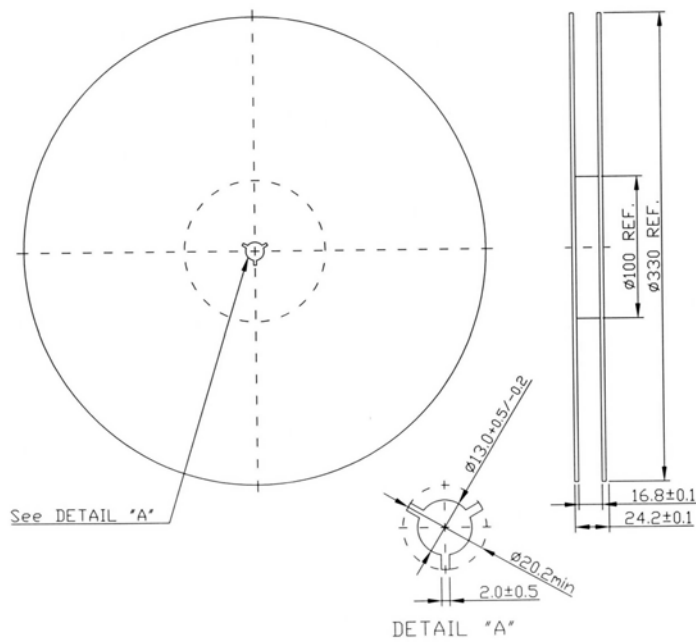


Fig-3 wide-band response Horizontal:10 MHz/Div
Vertical: 10 dB/Div

G. PACKING:

1. REEL DIMENSION



2. TAPE DIMENSION

