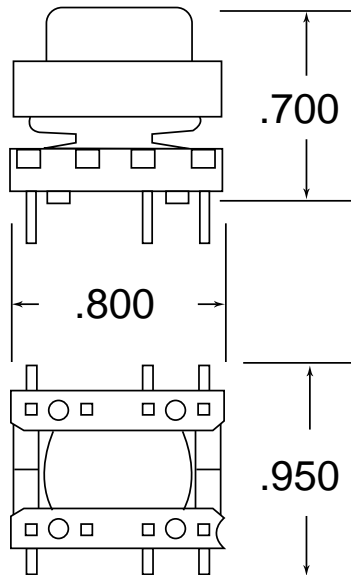
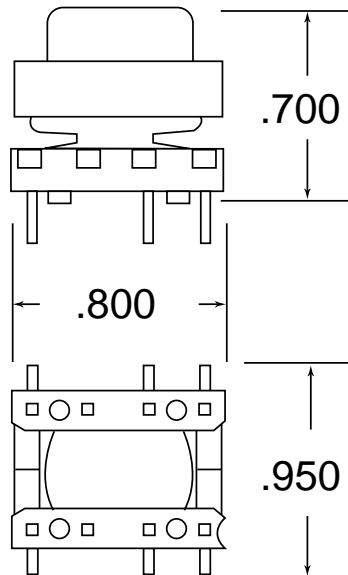


## CONVERTER TRANSFORMERS AND FILTER CHOKE FOR USE WITH MOTOROLA MC33362 AND MC33363

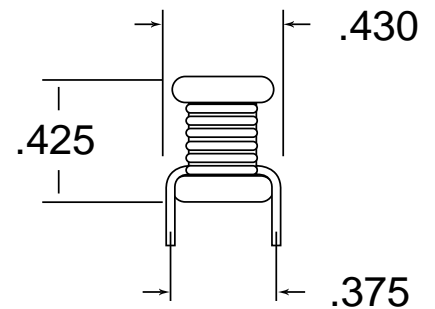
S5069-A



S5502-A



S5088-A



Inductance Pins 1-8 = 370  $\mu$ H  $\pm$  10%\*

DC Resistance:

Pins 1-8 = .290  $\Omega$  Max

Pins 2-7 = .200  $\Omega$  Max

Pins 5-4 = .008  $\Omega$  Max

Isolation Pri - Sec = 1500 Vrms

\*Tested at 100 kHz, .6 Vrms

20 Watts Output, 92-138 V ac Input

Inductance Pins 1-8 = 100  $\mu$ H  $\pm$  10%\*\*

DC Resistance:

Pins 1-8 = .595  $\Omega$  Max

Pins 2-7 = .135  $\Omega$  Max

Pins 5-4 = .010  $\Omega$  Max

Isolation Pri - Sec = 1500 Vrms

\*\*Tested at 100 kHz, .8 Vrms

8 Watts Output, 85-265 V ac Input

Inductance = 5  $\mu$ H  $\pm$  10%\*\*\*

DC Resistance: .011  $\Omega$  Max

Saturation Current = 5 A DC

Rated Continuous Current =

2.7 A DC

\*\*\*Tested at 100 kHz, .1 Vrms