

**Features**

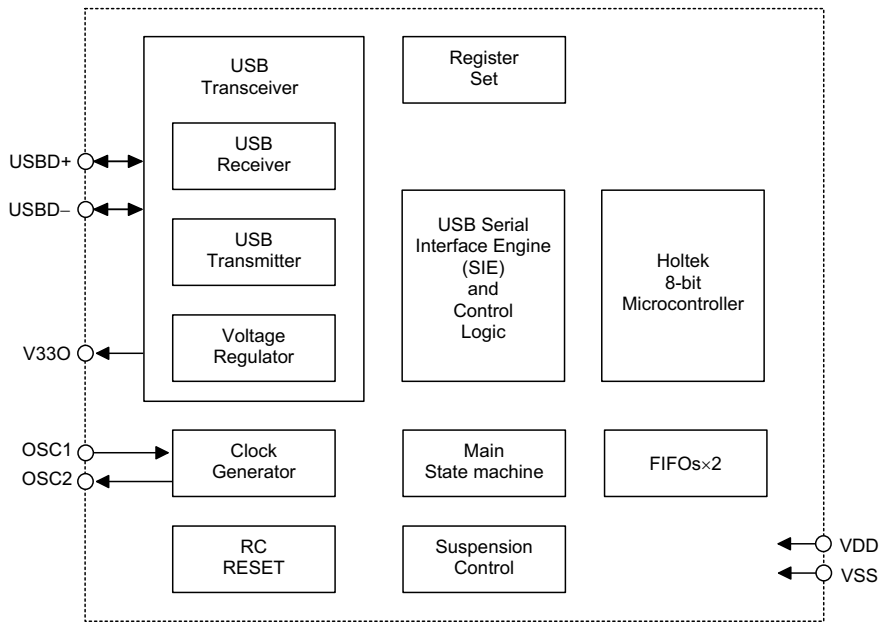
- Complete Universal Serial Bus specs V1.0 compatibility
- Serial Bus Interface Engine (SIE)
- USB transceiver
- Microsoft 3D Intelli mouse and IBM PS/2 mouse compatible
- Supports three buttons (R, M, L) and three axes (X, Y, Z) input
- Z axis can support two kinds of scroller input (optomechanical and mechanical)
- Single chip solution especially for USB mouse function
- HALT function and wake-up feature reduce power consumption
- Plug and Play functions
- Minimal external components
- 6MHz crystal oscillator for system clock
- 18-pin DIP package

**General Description**

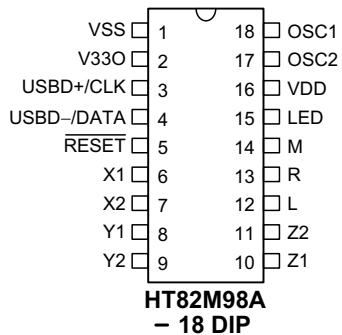
HT82M98A is a 3D mouse controller especially designed for USB and PS/2 applications. The HT82M98A can support the USB Standard Request as well as HID Class Request version 1.0 draft 4. It is compatible with Microsoft Intelli 3D PS/2 mouse. The X/Y axis photo input with built-in Holtek's special dynamic photo-input resistor and Z axis can support two kinds of

scroller input, namely; optomechanical and mechanical. It requires minimal external components to implement 3D USB plus PS/2 mouse. It can be briefly described as a Holtek 8-bit  $\mu$ C with an on-chip USB interface logic. The USB is specified by the *Universal Serial Bus Specification V1.0*.

**Block Diagram**



**Pin Assignment**



**Pin Description**

| Pin No.                             | Pin Name   | I/O | Description  |
|-------------------------------------|------------|-----|--|
| <b>USB Interface (2 pins)</b>       |            |     |  |
| 3                                   | USBD+/CLK  | I/O | USB data plus or PS2 Clock, F/W auto-detect USBD+ for USB, CLK for PS2                                     |
| 4                                   | USBD-/DATA | I/O | USB data minus or PS2 Data, F/W auto-detect USB- for USB, DATA for PS2                                     |
| <b>General purpose I/O (9 pins)</b> |            |     |  |
| 6, 7                                | X1, X2     | I   | X-axis photo input with built-in Holtek's special dynamic photo input resistor                             |
| 8, 9                                | Y1, Y2     | I   | Y-axis photo input with built-in Holtek's special dynamic photo input resistor                             |
| 10, 11                              | Z1, Z2     | I   | Z-axis input supports two kinds of scroller input; optomechanical and mechanical                           |
| 12, 13, 14                          | L, R, M    | I   | Input ports with pull-high resistor. These pads can function as Left, Right and Middle button input lines. |
| <b>Miscellaneous (7 pins)</b>       |            |     |  |
| 1                                   | VSS        | —   | Negative power supply, ground  |
| 2                                   | V33O       | O   | 3.3V voltage output  |
| 5                                   | RESET      | I   | Chip reset input, low active   |
| 15                                  | LED        | I/O | Drives LED output  |
| 16                                  | VDD        | —   | 5V positive power supply   |
| 17                                  | OSC2       | O   | 6MHz OSC output  |
| 18                                  | OSC1       | I   | 6MHz OSC input   |

**Absolute Maximum Ratings**

Supply Voltage.....-0.3V to 6V      Storage Temperature.....-50°C to 125°C  
 $\mu$ C Input Voltage ..... $V_{SS}-0.3V$  to  $V_{DD}+0.3V$       Operating Temperature .....-25°C to 70°C  
 USB Input Voltage ..... $V_{SS}-0.3V$  to  $V_{33O}+0.3V$

Note: These are stress ratings only. Stresses exceeding the range specified under Absolute Maximum Ratings may cause substantial damage to the device. Functional operation of this device at other conditions beyond those listed in the specification is not implied and prolonged exposure to extreme conditions may affect device reliability.

**D.C. Characteristics**

Ta=25°C

| Symbol           | Parameter  | Test Conditions |                                 | Min.      | Typ. | Max. | Unit |    |
|------------------|--|-----------------|---------------------------------|-----------|------|------|------|----|
|                  |  | V <sub>DD</sub> | Conditions                      |           |      |      |      |    |
| V <sub>DD</sub>  | Operating Voltage                                | —               | —                               | 4.5       | —    | 5.5  | V    |    |
| I <sub>DD</sub>  | Operating Current (Crystal OSC)                  | 5V              | No load, f <sub>sys</sub> =6MHz | USB mode  | —    | 10   | —    | mA |
|                  |  |                 |                                 | PS/2 mode | —    | 3    | —    | mA |
| I <sub>STB</sub> | Standby Current                                  | 5V              | No load, system HALT            | —         | —    | 250  | μA   |    |
| V <sub>IL1</sub> | Input Low Voltage for I/O Ports                  | 5V              | —                               | 0         | —    | 1.0  | V    |    |
| V <sub>IH1</sub> | Input High Voltage for μC I/O Ports              | 5V              | —                               | 3.5       | —    | 5    | V    |    |
| V <sub>IL2</sub> | Input Low Voltage (RESET)                        | 5V              | —                               | 0         | —    | 1.5  | V    |    |
| V <sub>IH2</sub> | Input High Voltage (RESET)                       | 5V              | —                               | 3.5       | —    | 5    | V    |    |
| V <sub>IH3</sub> | Input High Voltage for USB I/O Ports             | 3.3V            | —                               | 2.8       | —    | 3.6  | V    |    |
| V <sub>POR</sub> | Power on Reset V <sub>DD</sub> Detection Voltage | 5V              | —                               | 3.5       | —    | 3.9  | V    |    |
| I <sub>OL1</sub> | Output Port Sink Current                         | 5V              | V <sub>OL</sub> =0.5V           | —         | 4    | —    | mA   |    |
| I <sub>OH1</sub> | Output Port Source Current                       | 5V              | V <sub>OL</sub> =4.5V           | —         | -4   | —    | mA   |    |
| I <sub>OL2</sub> | Output Port Sink Current (LED)                   | 5V              | V <sub>OL</sub> =4.5V           | —         | 50   | —    | mA   |    |

**A.C. Characteristics**

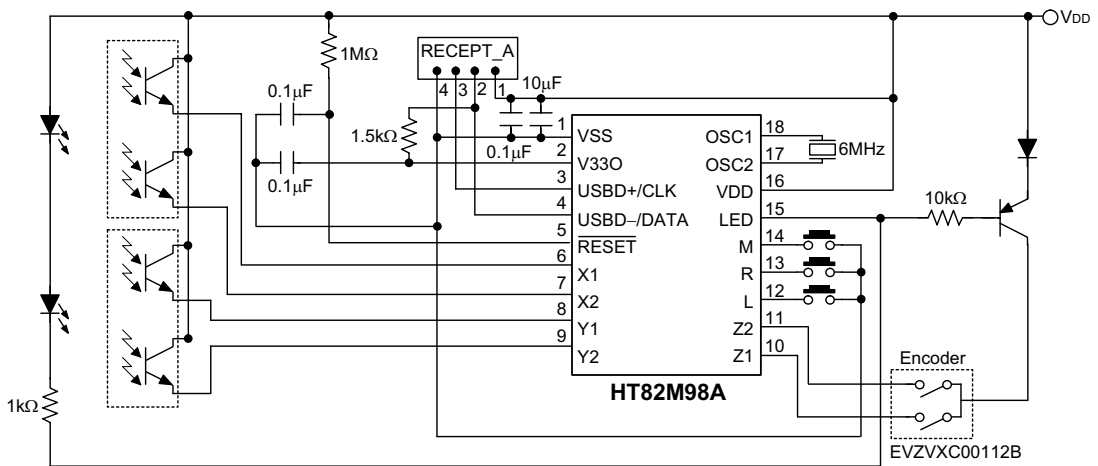
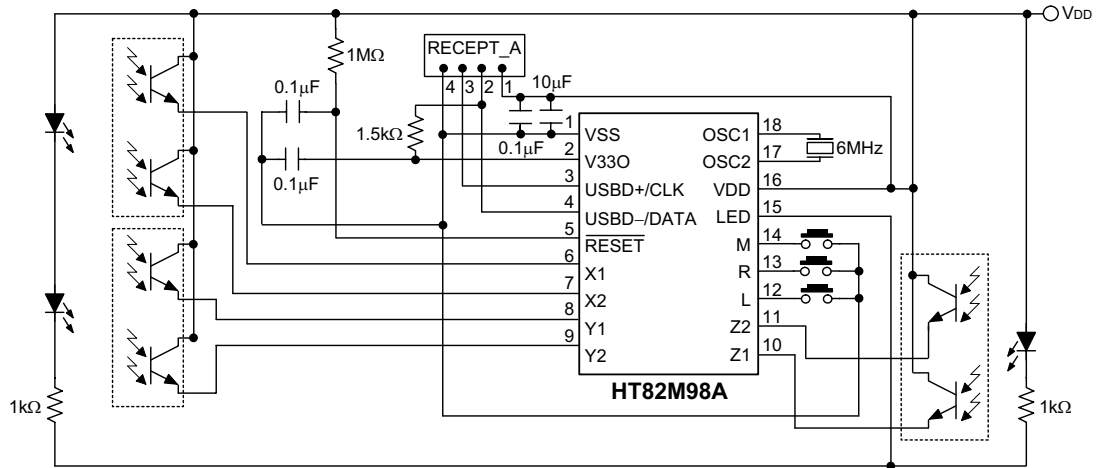
Ta=25°C

| Symbol           | Parameter                         | Test Conditions |                               | Min. | Typ. | Max. | Unit             |
|------------------|-----------------------------------|-----------------|-------------------------------|------|------|------|------------------|
|                  |                                   | V <sub>DD</sub> | Conditions                    |      |      |      |                  |
| f <sub>sys</sub> | System Clock (Crystal OSC)        | 5V              | —                             | 0    | 6000 | —    | kHz              |
| t <sub>OST</sub> | Oscillation Start-up Timer Period | —               | Power-up or wake-up form HALT | —    | 1024 | —    | t <sub>sys</sub> |

 Note: t<sub>sys</sub>=1/f<sub>sys</sub>

**Application Circuits**

This application circuit is for reference only



**Holtek Semiconductor Inc. (Headquarters)**

No.3 Creation Rd. II, Science-based Industrial Park, Hsinchu, Taiwan, R.O.C.  
Tel: 886-3-563-1999  
Fax: 886-3-563-1189

**Holtek Semiconductor Inc. (Taipei Office)**

5F, No.576, Sec.7 Chung Hsiao E. Rd., Taipei, Taiwan, R.O.C.  
Tel: 886-2-2782-9635  
Fax: 886-2-2782-9636  
Fax: 886-2-2782-7128 (International sales hotline)

**Holtek Semiconductor (Hong Kong) Ltd.**

RM.711, Tower 2, Cheung Sha Wan Plaza, 833 Cheung Sha Wan Rd., Kowloon, Hong Kong  
Tel: 852-2-745-8288  
Fax: 852-2-742-8657

**Holmate Technology Corp.**

48531 Warm Spring Boulevard, Suite 413, Fremont, CA 94539  
Tel: 510-252-9880  
Fax: 510-252-9885

Copyright © 2000 by HOLTEK SEMICONDUCTOR INC.

The information appearing in this Data Sheet is believed to be accurate at the time of publication. However, Holtek assumes no responsibility arising from the use of the specifications described. The applications mentioned herein are used solely for the purpose of illustration and Holtek makes no warranty or representation that such applications will be suitable without further modification, nor recommends the use of its products for application that may present a risk to human life due to malfunction or otherwise. Holtek reserves the right to alter its products without prior notification. For the most up-to-date information, please visit our web site at <http://www.holtek.com.tw>.