

New Jersey Semi-Conductor Products, Inc.

20 STERN AVE.
 SPRINGFIELD, NEW JERSEY 07081
 U.S.A.

TELEPHONE: (973) 376-2922
 (212) 227-6005
 FAX: (973) 376-8960

PARAMETERS

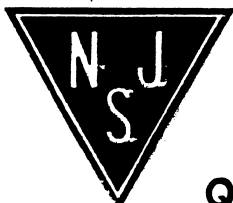
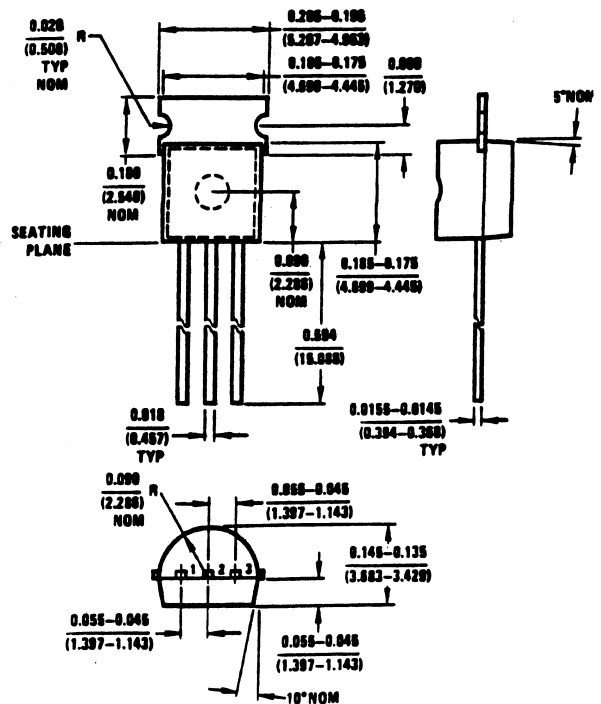
2N6715

SI NPN POWER BJT, I(C) = 1 A TO 2.4 A

Description: Si NPN Power BJT, I(C) = 1 A to 2.4 A

Manufacturer.....	
Mil/High-Rel? (Y/N).....	
Ic Max. (A).....	2.0
Vbr CEO.....	40
Vbr CBO.....	50
Max. PD (W).....	2.0
Derate Above 25°C.....	20m
Min hFE.....	50
Max. hFE.....	
@Ic (test) (A).....	1.0
@VCE (V).....	1.0
Trans. Freq (Hz) Min.....	50M
Icbo Max. @Vcb Max. (A).....	100n
R(sat) (j).....	500m
Tr Max. (s).....	
t(f) Max. (S).....	
Oper. Temp (°C) Max.....	140u
Pkg Style.....	T0-237var
Surface Mounted (Y/N).....	N
Pinout Equivalence Number.....	3-12

Junction Temperature 2 It(rms)



Quality Semi-Conductors