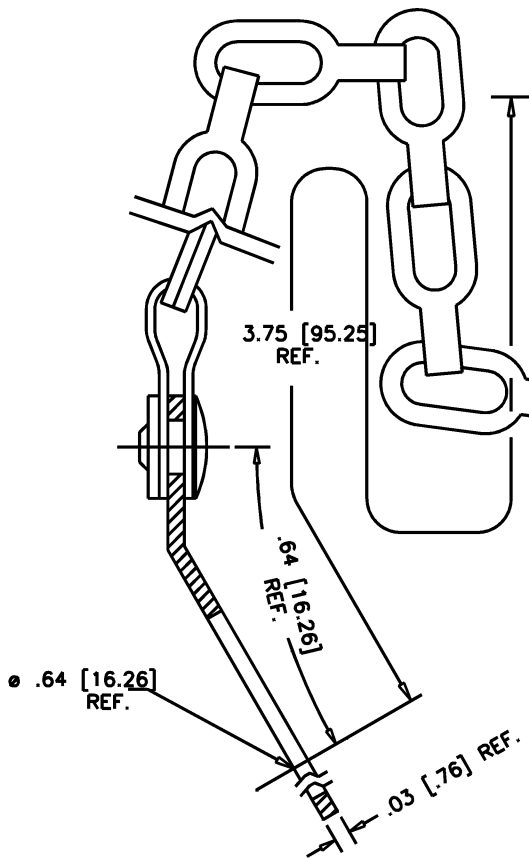
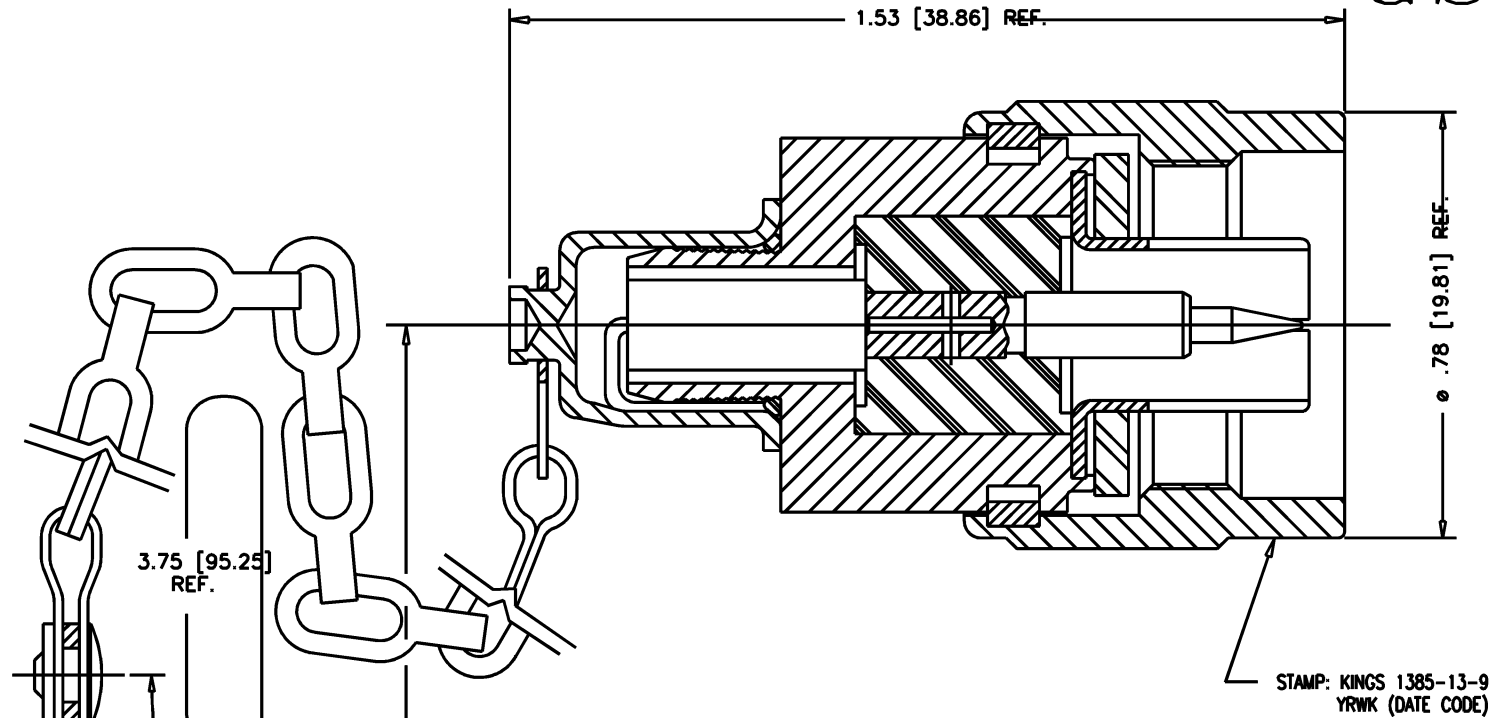


DASH NO.	M CODE	MADE FROM
----------	--------	-----------

# GSD

1385-13-9

REVISIONS	
ISSUE	CHANGES
0	ER 31378 KH 20 DEC 89
1	CN 32286 A JCA 06/20/90
2	CN 32445 A KH 08/21/90
3	CN 36450 C KH 07/28/95
4	CN 36920 A DW 04/04/96
5	CN 39143 E JLA 08/19/04
6	CN 39678 C PMC 10/30/06



- NOTES:
- MATERIALS:**  
 INSULATOR-TEFLON, ASTM-D-4894  
 GASKET } SILICONE RUBBER, A-A-59588  
 O-RING }  
 OUTER CONTACT } PHOSPHOR BRONE, ASTM-B105  
 C-RING }  
 RIVET }  
 WASHER } STAINLESS STEEL, 303  
 RING }  
 SAFETY CHAIN }  
 ALL OTHER METAL PARTS-BRASS, ASTM-B16
  - FINISHES:**  
 CENTER CONTACT : SILVER PLATE PER ASTM-B700  
 OUTER CONTACT : GOLD PLATE PER ASTM-B488  
 SAFETY CHAIN }  
 RIVET } PASSIVATED PER SAE-AMS-QQ-P-35  
 WASHER }  
 RING }  
 C-RING-NONE }  
 ALL OTHER METAL PARTS-KINGS TARNISH RESISTANT FINISH (TR-5)

3. ELECTRICAL CHARACTERISTICS:  
D.C. RESISTANCE-50 OHMS ±0.5 OHMS

SCALE 4 : 1	
APPROX SURFACE AREA	N/A
USED ON	
REF:	E-15794
N, 1/2 W. MALE TERMINATION	
DRAWN KH	DATE 12/20/89
DESIGN HS	DATE 12/22/89
APPR.	DATE
 ROCK HILL, SOUTH CAROLINA 29730	
1385-13-9	

# GSD