

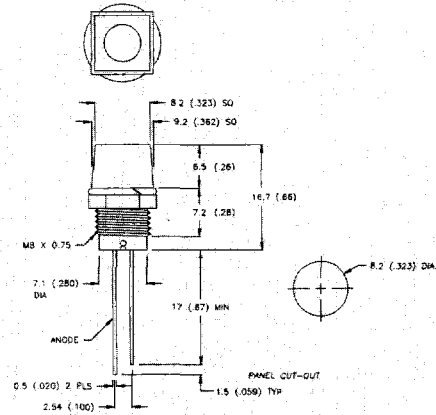
SSI-LXR952 SERIES 8.2mm SQUARE LENS LED INDICATORS

- | | | |
|--|--|---|
| FEATURES | APPLICATIONS | MATERIAL SPECIFICATIONS |
| <ul style="list-style-type: none"> • Easy Panel Installation • Choice of Colors • Lead Lengths Optional | <ul style="list-style-type: none"> • Panel Indicators • Fault Annunciator • Voltage Indicator | <ul style="list-style-type: none"> • Holder: Acrylic • Termination: 0.5 □ Lead Pins • Installation: 5/16" Panel Hole |

LUMEX PART NBR	EMITTED COLOR		OPERATING CURRENT (mA)	OPERATING TYP Volts (V)	BRIGHTNESS TYP (mCD) @	LED SERIES USED
	PEAK(nm)					
SSI-LXR952ID	RED	635	10-25	2.1	15	20 SSL-LX5093XX
SSI-LXR952SRD	RED	660	10-25	1.7	70	20 SSL-LX5093XX
SSI-LXR952GD	GREEN	565	10-25	2.1	15	20 SSL-LX5093XX
SSI-LXR952YD	YELLOW	585	10-25	2.1	15	20 SSL-LX5093XX
FIXED VOLTAGE OPTIONS (5VDC)						
SSI-LXR952ID-5V	RED	635	16	4-6	15	20 SSL-LX5093XX
SSI-LXR952GD-5V	GREEN	565	16	4-6	15	20 SSL-LX5093XX
SSI-LXR952YD-5V	YELLOW	585	16	4-6	15	20 SSL-LX5093XX
FIXED VOLTAGE OPTIONS (12-14V DC)						
SSI-LXR952ID-14V	RED	635	16	12-14	15	20 SSL-LX5093XX
SSI-LXR952GD-14V	GREEN	565	16	12-14	15	20 SSL-LX5093XX
SSI-LXR952YD-14V	YELLOW	585	16	12-14	15	20 SSL-LX5093XX

See pages 8 - 14 for Max. operating limits and operating curves

DIMENSIONS (mm/inch) ±.2mm



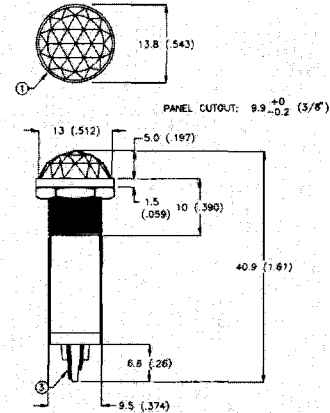
SSI-LXN730 SERIES 13mm ROUND DIAMOND CUT LENS LED IND.

- | | | |
|---|--|--|
| FEATURES | APPLICATIONS | MATERIAL SPECIFICATIONS |
| <ul style="list-style-type: none"> • Easy Panel Installation • Diamond Cut Lens • Choice of Colors • Insulated Leads (Optional) | <ul style="list-style-type: none"> • Panel Indicators • Fault Annunciator • Voltage Indicator | <ul style="list-style-type: none"> • Holder: Acrylic • Termination: Solder On • Installation: 3/8" Panel Hole |

LUMEX PART NBR	EMITTED COLOR		OPERATING CURRENT (mA)	OPERATING TYP Volts (V)	BRIGHTNESS TYP (mCD) @	LED SERIES USED
	PEAK(nm)					
SSI-LXN730ID	RED	635	10-25	2.1	15	20 SSL-LX5093XX
SSI-LXN730SRD	RED	660	10-25	1.7	70	20 SSL-LX5093XX
SSI-LXN730GD	GREEN	565	10-25	2.1	15	20 SSL-LX5093XX
SSI-LXN730YD	YELLOW	585	10-25	2.1	15	20 SSL-LX5093XX
FIXED VOLTAGE OPTIONS (5VDC)						
SSI-LXN730ID-5V	RED	635	16	4-6	15	20 SSL-LX5093XX
SSI-LXN730GD-5V	GREEN	565	16	4-6	15	20 SSL-LX5093XX
SSI-LXN730YD-5V	YELLOW	585	16	4-6	15	20 SSL-LX5093XX
FIXED VOLTAGE OPTIONS (12-14V DC)						
SSI-LXN730ID-14V	RED	635	16	12-14	15	20 SSL-LX5093XX
SSI-LXN730GD-14V	GREEN	565	16	12-14	15	20 SSL-LX5093XX
SSI-LXN730YD-14V	YELLOW	585	16	12-14	15	20 SSL-LX5093XX

See pages 8 - 14 for Max. operating limits and operating curves

DIMENSIONS (mm/inch) ±.2mm



SSI-LXR960 SERIES 16.0mm SQUARE LENS LED INDICATORS

- | | | |
|---|--|--|
| FEATURES | APPLICATIONS | MATERIAL SPECIFICATIONS |
| <ul style="list-style-type: none"> • Easy Panel Installation • Wide Viewing Angle • Choice of Colors • Insulated Leads (Optional) | <ul style="list-style-type: none"> • Panel Indicators • Fault Annunciator • Voltage Indicator | <ul style="list-style-type: none"> • Holder: Polycarbonate • Termination: Solder On Lug • Installation: 5/8" Panel Hole |

LUMEX PART NBR	EMITTED COLOR		OPERATING CURRENT (mA)	OPERATING TYP Volts (V)	BRIGHTNESS TYP (mCD) @	LED SERIES USED
	PEAK(nm)					
SSI-LXR960ID	RED	635	10-25	2.1	15	20 SSL-LX5093XX
SSI-LXR960SRD	RED	660	10-25	1.7	60	20 SSL-LX5093XX
SSI-LXR960GD	GREEN	565	10-25	2.1	15	20 SSL-LX5093XX
SSI-LXR960YD	YELLOW	585	10-25	2.1	15	20 SSL-LX5093XX
FIXED VOLTAGE OPTIONS (5VDC)						
SSI-LXR960ID-5V	RED	635	16 TYP.	4-6	15	20 SSL-LX5093XX
SSI-LXR960GD-5V	GREEN	565	16 TYP.	4-6	15	20 SSL-LX5093XX
SSI-LXR960YD-5V	YELLOW	585	16 TYP.	4-6	15	20 SSL-LX5093XX
FIXED VOLTAGE OPTIONS (12-14V DC)						
SSI-LXR960ID-14V	RED	635	18 TYP.	12-14	15	20 SSL-LX5093XX
SSI-LXR960GD-14V	GREEN	565	18 TYP.	12-14	15	20 SSL-LX5093XX
SSI-LXR960YD-14V	YELLOW	585	18 TYP.	12-14	15	20 SSL-LX5093XX

See pages 8 - 14 for Max. operating limits and operating curves

DIMENSIONS (mm/inch) ±.2mm

