

MJE3439

NPN Silicon High-Voltage Power Transistor

This device is designed for use in line-operated equipment requiring high f_T .

Features

- High DC Current Gain – $h_{FE} = 40-160 @ I_C = 20 \text{ mAdc}$
- Current Gain Bandwidth Product – $f_T = 15 \text{ MHz (Min) @ } I_C = 10 \text{ mAdc}$
- Low Output Capacitance – $C_{ob} = 10 \text{ pF (Max) @ } f = 1.0 \text{ MHz}$
- Pb-Free Package is Available*

MAXIMUM RATINGS

| Rating | Symbol | Value | Unit |
|---|----------------|-------------|---------------------------|
| Collector-Emitter Voltage | V_{CEO} | 350 | Vdc |
| Collector-Base Voltage | V_{CB} | 450 | Vdc |
| Emitter-Base Voltage | V_{EB} | 5.0 | Vdc |
| Collector Current – Continuous | I_C | 0.3 | Adc |
| Base Current | I_B | 150 | mAdc |
| Total Power Dissipation @ $T_C = 25^\circ\text{C}$ Derate above 25°C | P_D | 15 0.12 | W mW/ $^\circ\text{C}$ |
| Operating and Storage Junction Temperature Range | T_J, T_{stg} | -65 to +150 | $^\circ\text{C}$ |

THERMAL CHARACTERISTICS

| Characteristic | Symbol | Max | Unit |
|--------------------------------------|---------------|------|--------------------|
| Thermal Resistance, Junction-to-Case | θ_{JC} | 8.33 | $^\circ\text{C/W}$ |

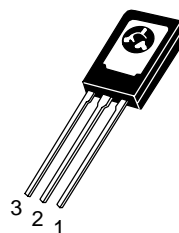
Maximum ratings are those values beyond which device damage can occur. Maximum ratings applied to the device are individual stress limit values (not normal operating conditions) and are not valid simultaneously. If these limits are exceeded, device functional operation is not implied, damage may occur and reliability may be affected.



ON Semiconductor[®]

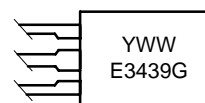
<http://onsemi.com>

**0.3 AMPERE
POWER TRANSISTOR
NPN SILICON
350 VOLTS, 15 WATTS**



TO-225
CASE 77
STYLE 1

MARKING DIAGRAM



Y = Year
WW = Work Week
E3439 = Device Code
G = Pb-Free Package

ORDERING INFORMATION

| Device | Package | Shipping |
|----------|---------------------|---------------|
| MJE3439 | TO-225 | 500 Units/Box |
| MJE3439G | TO-225 (Pb-Free) | 500 Units/Box |

*For additional information on our Pb-Free strategy and soldering details, please download the ON Semiconductor Soldering and Mounting Techniques Reference Manual, SOLDERRM/D.

MJE3439

ELECTRICAL CHARACTERISTICS (T_C = 25°C unless otherwise noted)

| Characteristic | Symbol | Min | Max | Unit |
|--|-----------------------|----------|----------|------------------|
| OFF CHARACTERISTICS | | | | |
| Collector–Emitter Sustaining Voltage (I _C = 5.0 mA _{dc} , I _B = 0) | V _{CEO(sus)} | 350 | – | V _{dc} |
| Collector Cutoff Current (V _{CE} = 300 V _{dc} , I _B = 0) | I _{CEO} | – | 20 | μA _{dc} |
| Collector Cutoff Current (V _{CE} = 450 V _{dc} , V _{EB(off)} = 1.5 V _{dc}) | I _{CEX} | – | 500 | μA _{dc} |
| Collector Cutoff Current (V _{CB} = 350 V _{dc} , I _E = 0) | I _{CBO} | – | 20 | μA _{dc} |
| Emitter Cutoff Current (V _{BE} = 5.0 V _{dc} , I _C = 0) | I _{EBO} | – | 20 | μA _{dc} |
| ON CHARACTERISTICS | | | | |
| DC Current Gain (I _C = 2.0 mA _{dc} , V _{CE} = 10 V _{dc}) (I _C = 20 mA _{dc} , V _{CE} = 10 V _{dc}) | h _{FE} | 30 15 | – 200 | – |
| Collector–Emitter Saturation Voltage (I _C = 50 mA _{dc} , I _B = 4.0 mA _{dc}) | V _{CE(sat)} | – | 0.5 | V _{dc} |
| Base–Emitter Saturation Voltage (I _C = 50 mA _{dc} , I _B = 4.0 mA _{dc}) | V _{BE(sat)} | – | 1.3 | V _{dc} |
| Base–Emitter On Voltage (I _C = 50 mA _{dc} , V _{CE} = 10 V _{dc}) | V _{BE(on)} | – | 0.8 | V _{dc} |
| DYNAMIC CHARACTERISTICS | | | | |
| Current–Gain – Bandwidth Product (I _C = 10 mA _{dc} , V _{CE} = 10 V _{dc} , f = 5.0 MHz) | f _T | 15 | – | MHz |
| Output Capacitance (V _{CB} = 10 V _{dc} , I _E = 0, f = 1.0 MHz) | C _{ob} | – | 10 | pF |
| Small–Signal Current Gain (I _C = 5.0 mA _{dc} , V _{CE} = 10 V _{dc} , f = 1.0 kHz) | h _{fe} | 25 | – | – |

MJE3439

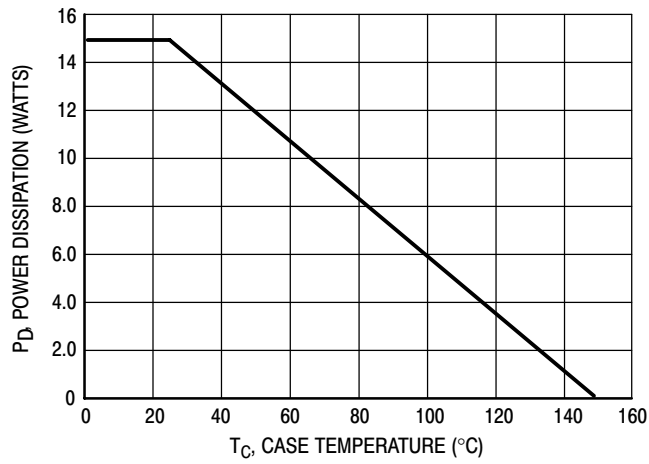


Figure 1. Power-Temperature Derating Curve

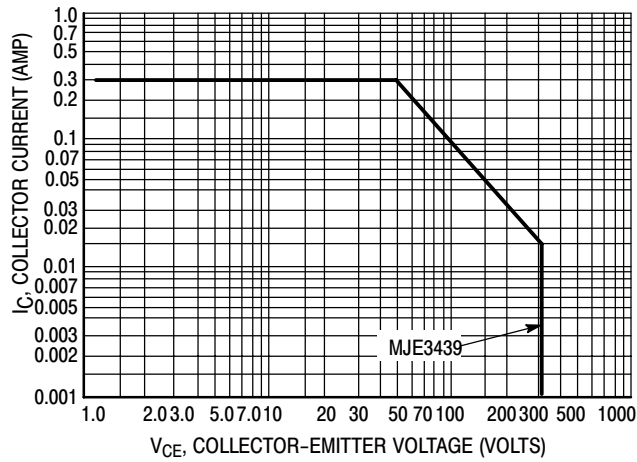


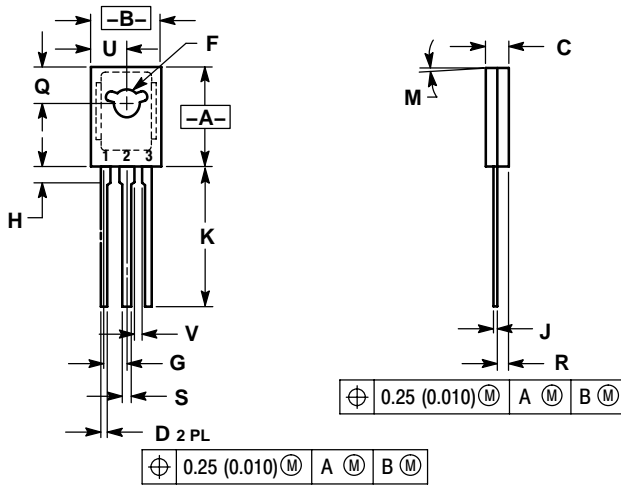
Figure 2. Active-Region Safe Operating Area

The Safe Operating Area Curves indicate $I_C - V_{CE}$ limits below which the device will not enter secondary breakdown. Collector load lines for specific circuits must fall within the applicable Safe Area to avoid causing a catastrophic failure. To insure operation below the maximum T_J , power-temperature derating must be observed for both steady state and pulse power conditions.

MJE3439

PACKAGE DIMENSIONS

TO-225
CASE 77-09
ISSUE Z



NOTES:

1. DIMENSIONING AND TOLERANCING PER ANSI Y14.5M, 1982.
2. CONTROLLING DIMENSION: INCH.
3. 077-01 THRU -08 OBSOLETE, NEW STANDARD 077-09.

| DIM | INCHES | | MILLIMETERS | |
|-----|-----------|-------|-------------|-------|
| | MIN | MAX | MIN | MAX |
| A | 0.425 | 0.435 | 10.80 | 11.04 |
| B | 0.295 | 0.305 | 7.50 | 7.74 |
| C | 0.095 | 0.105 | 2.42 | 2.66 |
| D | 0.020 | 0.026 | 0.51 | 0.66 |
| F | 0.115 | 0.130 | 2.93 | 3.30 |
| G | 0.094 BSC | | 2.39 BSC | |
| H | 0.050 | 0.095 | 1.27 | 2.41 |
| J | 0.015 | 0.025 | 0.39 | 0.63 |
| K | 0.575 | 0.655 | 14.61 | 16.63 |
| M | 5° TYP | | 5° TYP | |
| Q | 0.148 | 0.158 | 3.76 | 4.01 |
| R | 0.045 | 0.065 | 1.15 | 1.65 |
| S | 0.025 | 0.035 | 0.64 | 0.88 |
| U | 0.145 | 0.155 | 3.69 | 3.93 |
| V | 0.040 | --- | 1.02 | --- |

STYLE 1:

1. EMITTER
2. COLLECTOR
3. BASE

ON Semiconductor and are registered trademarks of Semiconductor Components Industries, LLC (SCILLC). SCILLC reserves the right to make changes without further notice to any products herein. SCILLC makes no warranty, representation or guarantee regarding the suitability of its products for any particular purpose, nor does SCILLC assume any liability arising out of the application or use of any product or circuit, and specifically disclaims any and all liability, including without limitation special, consequential or incidental damages. "Typical" parameters which may be provided in SCILLC data sheets and/or specifications can and do vary in different applications and actual performance may vary over time. All operating parameters, including "Typicals" must be validated for each customer application by customer's technical experts. SCILLC does not convey any license under its patent rights nor the rights of others. SCILLC products are not designed, intended, or authorized for use as components in systems intended for surgical implant into the body, or other applications intended to support or sustain life, or for any other application in which the failure of the SCILLC product could create a situation where personal injury or death may occur. Should Buyer purchase or use SCILLC products for any such unintended or unauthorized application, Buyer shall indemnify and hold SCILLC and its officers, employees, subsidiaries, affiliates, and distributors harmless against all claims, costs, damages, and expenses, and reasonable attorney fees arising out of, directly or indirectly, any claim of personal injury or death associated with such unintended or unauthorized use, even if such claim alleges that SCILLC was negligent regarding the design or manufacture of the part. SCILLC is an Equal Opportunity/Affirmative Action Employer. This literature is subject to all applicable copyright laws and is not for resale in any manner.

PUBLICATION ORDERING INFORMATION

LITERATURE FULFILLMENT:
Literature Distribution Center for ON Semiconductor
P.O. Box 61312, Phoenix, Arizona 85082-1312 USA
Phone: 480-829-7710 or 800-344-3860 Toll Free USA/Canada
Fax: 480-829-7709 or 800-344-3867 Toll Free USA/Canada
Email: orderlit@onsemi.com

N. American Technical Support: 800-282-9855 Toll Free
USA/Canada

Japan: ON Semiconductor, Japan Customer Focus Center
2-9-1 Kamimeguro, Meguro-ku, Tokyo, Japan 153-0051
Phone: 81-3-5773-3850

ON Semiconductor Website: <http://onsemi.com>

Order Literature: <http://www.onsemi.com/litorder>

For additional information, please contact your local Sales Representative.