

NOTES: UNLESS OTHERWISE SPECIFIED

1. MATERIAL SPECIFICATIONS:

BODY: BRASS PER ASTM B16.
 CONTACT: BERYLLIUM COPPER PER ASTM B196.
 INSULATOR: TEFLON PER ASTM D1710.
 NUT: BRASS PER ASTM B16.

2. FINISH SPECIFICATIONS:

BODY: .000015 MIN GOLD PER ASTM B488 OVER .000080 MIN NICKEL PER AMS-QQ-N-290.
 CONTACT: .000030 MIN GOLD PER ASTM B488 OVER .000080 MIN NICKEL PER AMS-QQ-N-290.
 NUT: .000100 MIN NICKEL PER AMS-QQ-N-290 OVER COPPER FLASH PER ASTM B734.

3. ELECTRICAL SPECIFICATIONS:

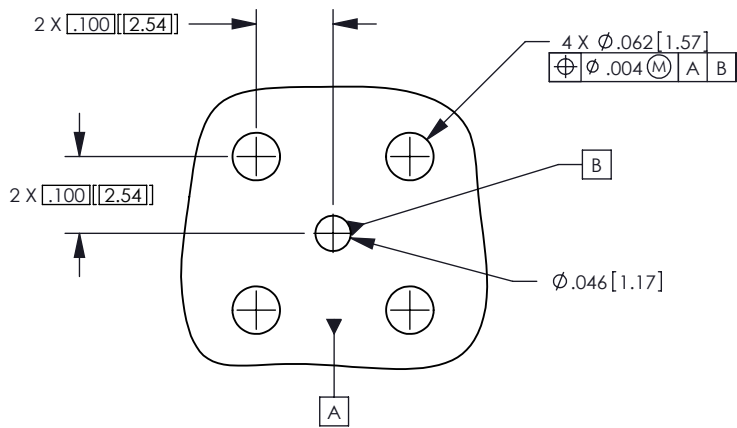
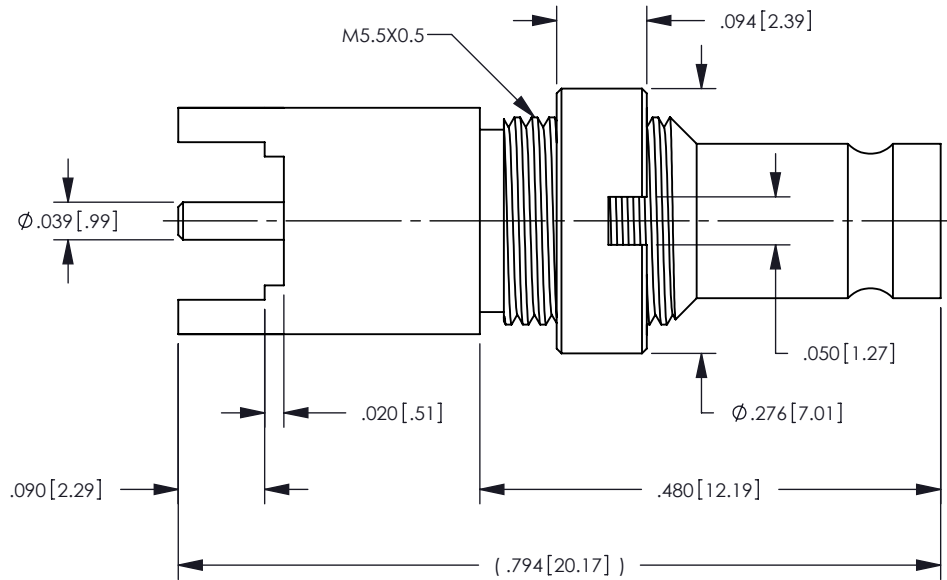
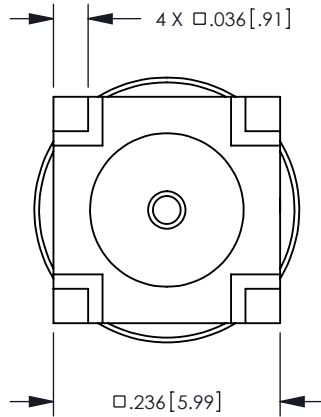
IMPEDANCE: 75 OHMS.
 FREQUENCY RANGE: DC-4.5GHz.
 RETURN LOSS (ON MID-LAYER OF 2.4mm PCB): <-15dB UP TO 3.0 GHz, <-10dB UP TO 4.5 GHz.

4. COMPLIANT TO SMPTE 424M (3G-SDI) STANDARD.

5. INTERFACE PER CECC 22230.

REV	DESCRIPTION	BY DATE	APPD
D	REVISED PER ECR-ER28203	11/03/10	CJC

P/N	DESCRIPTION	QTY
0347-060-00401H	SINGLE PACK	1
0347-060-00401HU	BULK PACK	400



PCB LAYOUT

CATALOG P/N: 0347-060-00401H

PER ASME Y14.5M-1994 UNLESS OTHERWISE SPECIFIED: DIMENSIONS ARE IN INCHES [MM] TOLERANCES: DECIMAL: .XX [X.X] ± .01 [0.3] .XXX [X.XX] ± .005 [0.13] .XXXX [X.XXX] ± .XXXX ANGLES: ± 2° SCALE: 5:1		by WINCHESTER Winchester Electronics Corporation 62 Barnes Industrial Road North Wallingford, Connecticut 06492	
CUSTOMER SALES DRAWING		THIRD ANGLE	
DRAWN	DATE	APPROVED	DATE
DW	04/23/08	Dcam	04/23/08
APPROVED	DATE	APPROVED	DATE
WPM	04/23/08	XXX	XX/XX/XX
A SD0347-060-00401H		SHT	OF
		1	1
		REV	D