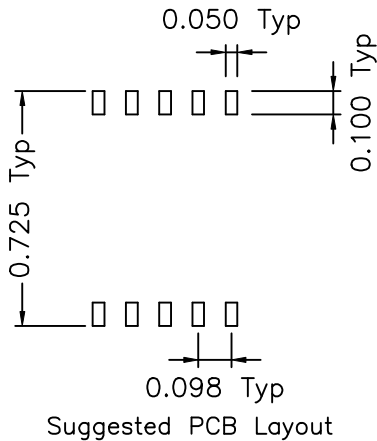
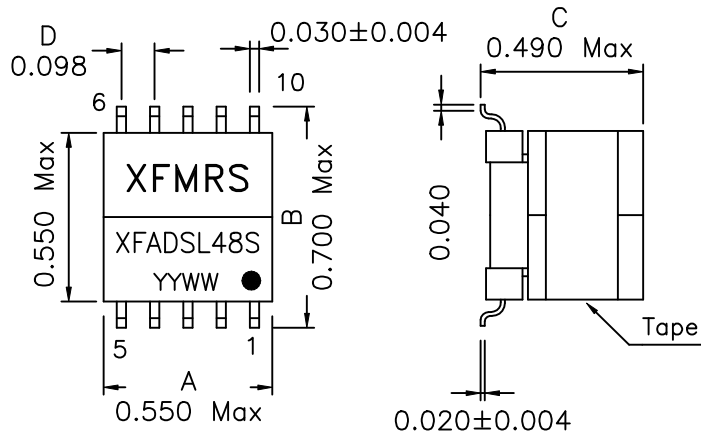


1. Mechanical Dimensions:

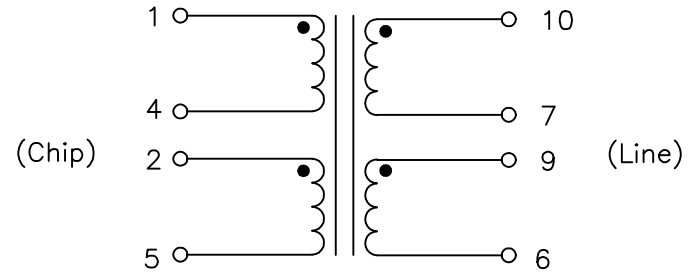


Notes:

1. Solderability: Leads shall meet MIL-STD-202, Method 208D for solderability.
2. Flammability: UL94V-0
3. ASTM oxygen index: > 28%
4. Insulation System: Class F 155°C. UL file E151556
5. Operating Temperature Range: All listed parameters are to be within tolerance from -40°C to +85°C
6. Storage Temperature Range: -55°C to +125°C
7. Aqueous wash compatible

DOC. REV: A/2

2. Schematic:



3. Electrical Specifications:

- OCL: Pins 10-6 800uH±6% @10KHz 0.1V
- Leakage L: Pins 10-6 15uH Max @100KHz 0.1V
Short Chip, Tie Pins 7&9
- CW/W: Pins 1-10 65pF Max @100KHz 0.1V
- Turns Ratio: (10-6):(1-5) 3.3CS:1CS±1%
Tie Pins 2-4, 7-9
- DC Res.: Pins 10-7 0.774 Ohms Max
- DC Res.: Pins 9-6 0.774 Ohms Max
- DC Res.: Pins 1-4 0.18 Ohms Max
- DC Res.: Pins 2-5 0.18 Ohms Max
- HYPOT: 2000Vrms, Chip to Line, Wdgs to Core

Note: Designed to meet the requirements of UL1950, for Supplementary Insulation with 250 working volts.

XFMRs Inc	Title: ADSL TRANSFORMER		
	UNLESS OTHERWISE SPECIFIED TOLERANCES:	P/N: XFADSL48S	REV. A
	.xxx ±0.010	DWN.	刘 鹏 Oct-10-02
	Dimensions in INCH	CHK.	李小锋 Oct-10-02
SHEET 1 OF 1	APP.	BW Oct-10-02	