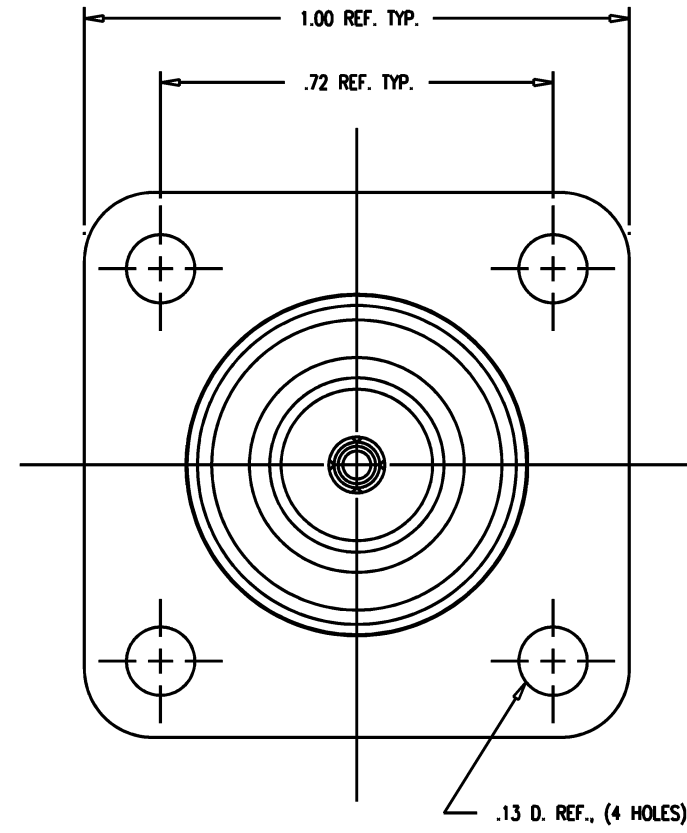
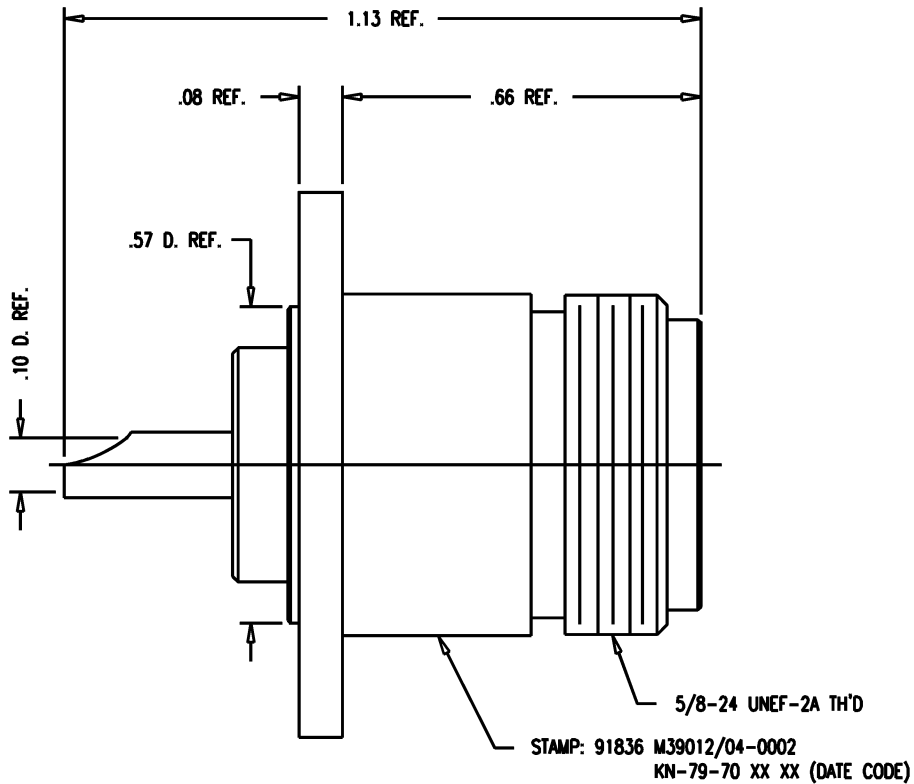


GSD

M39012/04-0002

REVISIONS

ISSUE	CHANGES
11	CN 33686 E REDRAWN JCA 01/28/92
12	CN 35061 C JCA 12/06/93



- NOTES:**
- INTERFACE PER MIL-STD-348, FIG. 304-2.
 - MATERIALS:**
INSULATOR: TEFLON, ASTM-D-4894
CENTER CONTACT: BER. COPPER, ASTM-B-196
ALL OTHER METAL PARTS: BRASS, ASTM-B16
 - FINISHES:**
CENTER CONTACT: HARD GOLD PLATE PER MIL-G-45204
ALL METAL PARTS: SILVER PLATE, PER QQ-S-365
 - ELECTRICAL CHARACTERISTICS:**
NOMINAL IMPEDANCE: 50 OHMS
WORKING VOLTAGE: 1000 VRMS
FREQUENCY RANGE: DC TO 11 GHz

JCA2448

SCALE 4:1	
APPROX SURFACE AREA KN-79-70	
USED ON	
REF: SUPERCEDES UG-58B/U	
RECEPTACLE, PANEL, N	
DRAWN JCA	DATE 01/28/92
DESIGN MJB	DATE 01/29/92
APPR.	DATE

KINGS
ELECTRONICS CO., INC.
TUCKAHOE, NEW YORK 10707

M39012/04-0002

GSD