

**PLEASE CHECK WWW.MOLEX.COM FOR LATEST PART INFORMATION**

**Part Number:** [0850560062](#)  
**Status:** **Active**  
**Overview:** [din\\_41612](#)  
**Description:** 2.54mm (.100") Pitch DIN 41612/IEC 603-2 Mixed Layout Connector, Female Style M Inverse, 78 Circuits, Lead free

**Documents:**

[3D Model](#) [RoHS Certificate of Compliance \(PDF\)](#)  
[Drawing \(PDF\)](#)

**Agency Certification**

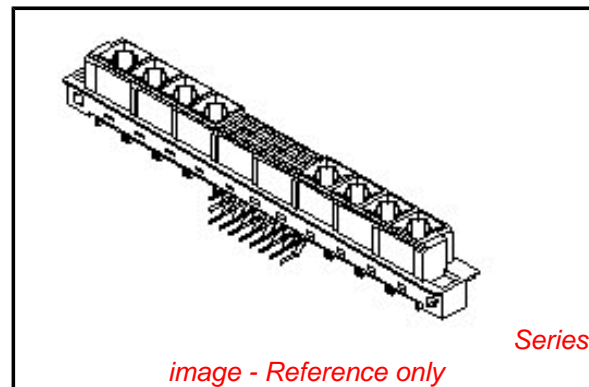
CSA LR19980  
 UL E29179

**General**

Product Family Backplane Connectors  
 Series [85056](#)  
 Application Daughtercard  
 Component Type PCB Receptacle  
 Overview [din\\_41612](#)  
 Product Name IEC 603-2/DIN 41612  
 Style M

**Physical**

Circuits (Loaded) 78  
 Circuits (maximum) 80  
 Circuits Detail Standard Contacts at A:a4-a29; B:b4-b29; C:c4-c29  
 Durability (mating cycles max) 400  
 First Mate / Last Break No  
 Flammability 94V-0  
 Guide to Mating Part No  
 Keying to Mating Part Yes  
 Material - Plating Mating Gold  
 Material - Plating Termination Tin  
 Number of Columns 26  
 Number of Pairs Open Pin Field  
 Number of Rows 3  
 Orientation Right Angle  
 PC Tail Length (in) 0.110 In  
 PC Tail Length (mm) 2.80 mm  
 PCB Locator No  
 PCB Retention Yes  
 PCB Thickness Recommended (in) 0.063 In, 0.126 In  
 PCB Thickness Recommended (mm) 1.60 mm, 3.20 mm  
 Packaging Type Tray  
 Pitch - Mating Interface (in) 0.100 In  
 Pitch - Mating Interface (mm) 2.54 mm  
 Pitch - Term. Interface (in) 0.100 In  
 Pitch - Term. Interface (mm) 2.54 mm  
 Plating min: Mating (µin) 24  
 Plating min: Mating (µm) 0.60  
 Polarized to PCB Yes  
 Stackable No  
 Surface Mount Compatible (SMC) No  
 Temperature Range - Operating -55°C to +125°C  
 Termination Interface: Style Through Hole



*image - Reference only*

**EU RoHS**

**ELV and RoHS  
 Compliant  
 REACH SVHC  
 Not Reviewed  
 Halogen-Free  
 Status  
 Not Reviewed**

**China RoHS**



**Need more information on product environmental compliance?**

Email [productcompliance@molex.com](mailto:productcompliance@molex.com)  
 For a multiple part number RoHS Certificate of Compliance, [click here](#)

Please visit the [Contact Us](#) section for any non-product compliance questions.

**Search Parts in this Series**

[85056Series](#)

**Mates With**

DIN 41612/EIC 603-2 Mixed Layout Connectors [85009](#) , [85017](#)

**Use With**

[85022](#)

**Electrical**

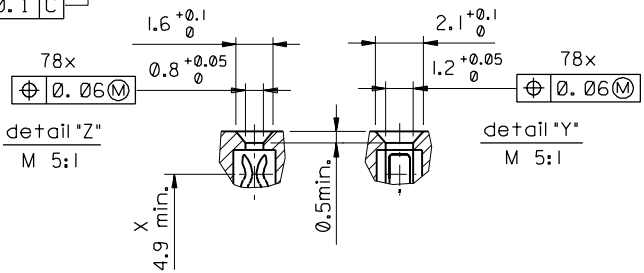
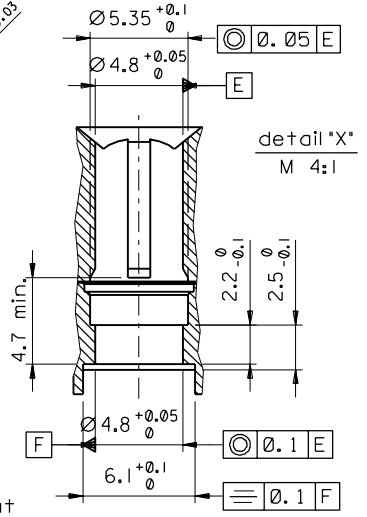
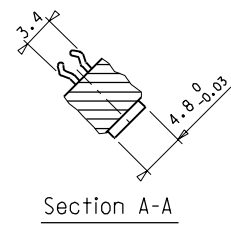
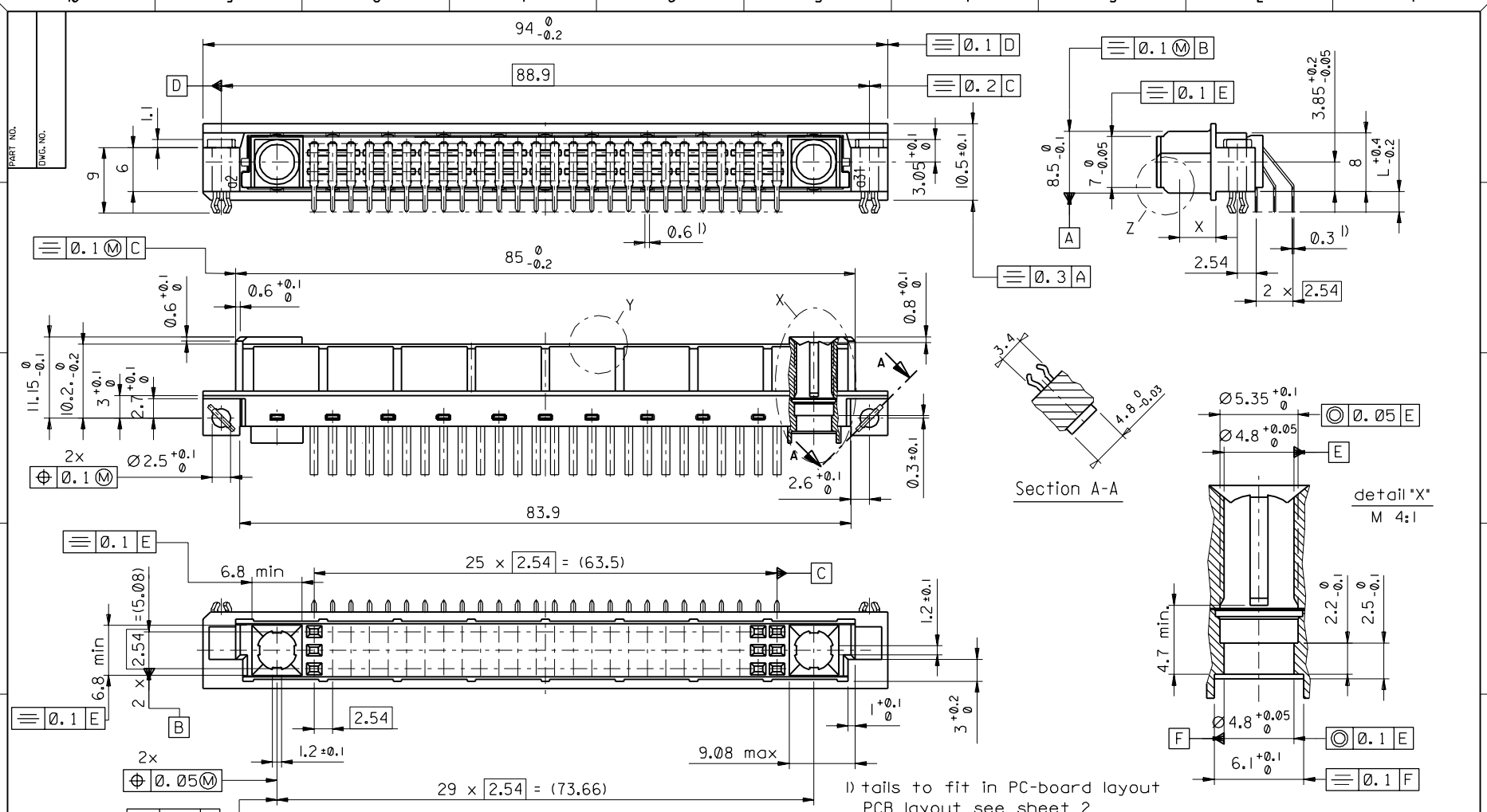
Current - Maximum per Contact	2.5A
Data Rate	622.0 Mbps
Real Signals (per 25mm)	30
Voltage - Maximum	250V AC (RMS)

**Material Info****Reference - Drawing Numbers**

Sales Drawing	SD-85056-0001, SD-85056-0062
---------------	------------------------------

This document was generated on 05/17/2010

**PLEASE CHECK [WWW.MOLEX.COM](http://WWW.MOLEX.COM) FOR LATEST PART INFORMATION**



FIRST ANGLE PROJECTION		REVISE ONLY ON CAD SYSTEM		SH.	REV.
ECN MG1998-2586 L+0.21NL+0.4-0.2, sht. 2 97-09-18 KN	<b>REVISIONS</b> FOR PREVIOUS REVISIONS SEE MRI LIST 3 PLACE ± 2 PLACE ± 1 PLACE ± DRAFT WHERE APPLICABLE MUST REMAIN WITHIN DIMENSIONS DESIGN DIMENSION <input checked="" type="checkbox"/> MM <input type="checkbox"/> IN. EQUIVALENT DIMENSION <input type="checkbox"/> MM <input type="checkbox"/> IN. IF TWO DIMENSIONS ARE SHOWN THE UPPER IS THE DESIGN DIMENSION, LOWER IS SECONDARY	DRWG BY	SIGN	CAD/CAM PROJECT NAME 85056000 611	
		CHK'D BY	SIGN	THIS DRAWING CONTAINS INFORMATION THAT IS PROPRIETARY TO MOLEX INC. & SHOULD NOT BE USED WITHOUT WRITTEN PERMISSION	
		APP'D BY	SIGN	TITLE 78 pol. Federleiste 78 pos. female connector DIN 41612, style M inverted	
		SCALE		SHEET NO. DATE 1 OF 2 97/04/23	
<b>B</b>	<b>LTR</b>	2:1		MOLEX EUROPE PART NO. SD-85056-0001	SIZE <b>B</b>

