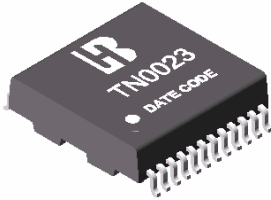


10/100 BASE –T MAGNETICS MODULES

P/N:TN0023 DATA SHEET

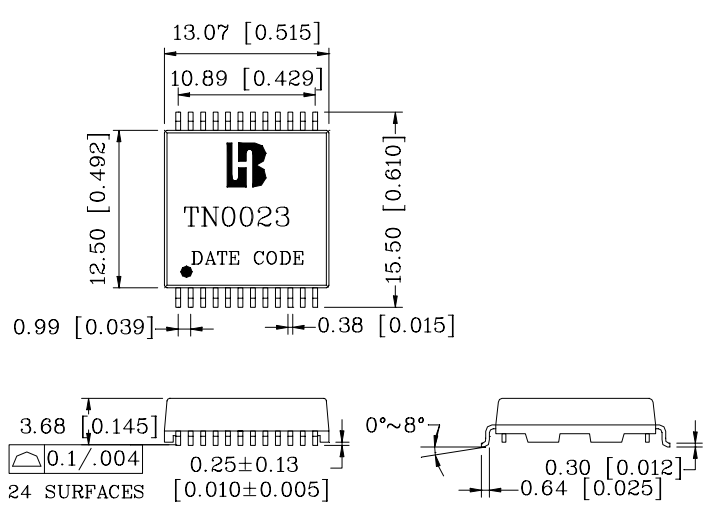
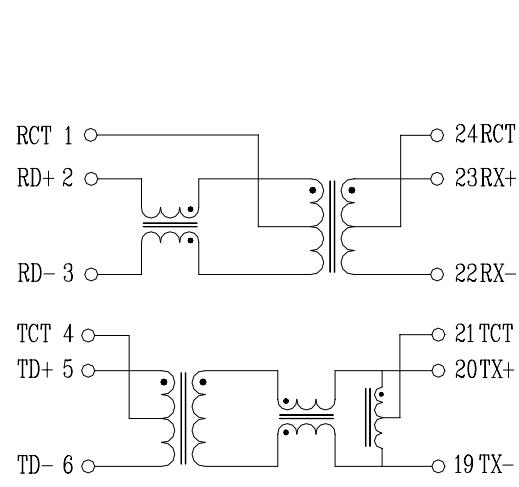
Feature



- single port designs for maximum layout flexibility.
- Compatible with Intel, TDK, QSI, and ICS.
- 24-PIN SMD package, pick and place compatible.
- Operating Temperature range: 0°C to +70°C.
- Storage temperature range: -25°C to +125°C.

Electrical Specifications @ 25°C												
Part Number	Turns Ratio (±5%)						Voltage Isolation (Vrms)					
	TX			RX								
TN0023	1CT:1CT			1CT:1CT			1500					
Continue												
Part Number	Insertion Loss (dB Max)	Return Loss (dB Min @ 100 Ω)					Cross talk Attenuation (dB Min)			DCMR (dB Min)		
		1-100MHz	1-30MHz	40MHz	50MHz	60-80MHz	100MHz	30MHz	60MHz	100MHz	30MHz	60MHz
TN0023	-1.0	-18	-14.4	-13.1	-12	-10	-45	-40	-35	-43	-37	-33

Schematic Mechanical



Units: mm[Inches] Tolerance: xx.x0±0.25[0.010]  
0.xx±0.05[0.002]