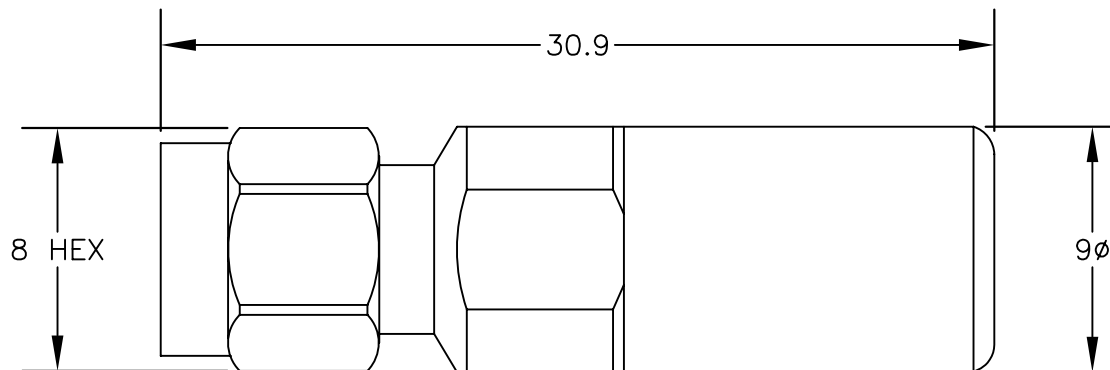


MATERIALS

BODY	PASSIVATED STAINLESS STEEL
CONTACT	GOLD PLATED
INSULATOR	PS



SPECIFICATIONS

FREQUENCY RANGE: DC TO 26.5 GHz

RETURN LOSS:

DC TO 4 GHz = 0.10 dB
 4 GHz TO 26.5 = 0.20 dB



PASTERNAK ENTERPRISES, INC.
 P.O BOX 16759, IRVINE, CA 92623
 PHONE (949) 261-1920 FAX (949) 261-7451
 WEB ADDRESS: www.pasternack.com
 E-MAIL ADDRESS: sales@pasternack.com
COAXIAL & FIBER OPTICS

DWG TITLE		DES. 3.5mm MALE, OPEN CIRCUIT			
PE5500-1		SIZE A		FSCM NO. 53919	CAD FILE 122806
		SCALE N/A			147

- NOTES:**
1. UNLESS OTHERWISE SPECIFIED ALL DIMENSIONS ARE NOMINAL.
 2. ALL SPECIFICATIONS ARE SUBJECT TO CHANGE WITHOUT NOTICE AT ANY TIME.
 3. ALL DIMENSIONS ARE IN mm.