

# 5V TO $\pm 10V$ VOLTAGE CONVERTER +B122+B124 REGULATED GaAs FET BIAS SUPPLY

## FEATURES

- Fixed  $-4.1V$  or Adjustable  $-0.5V$  to  $-9V$  Output at 5mA
- 4.5V to 10V Input Voltage Range
- Low Output Voltage Ripple  
 TCM850-852 ..... 2mVp-p  
 TCM853 ..... 1mVp-p
- 100kHz Charge Pump Switching Frequency
- Optional External Synchronizing Clock Input (TCM852)
- Logic Level Shutdown Mode ..... 0.5 $\mu A$  Typ. Temperature (TCM850/852/853)
- Low Cost, 8-Pin SOIC Package

## APPLICATIONS

- Cellular Phones
- Negative Regulated Power Supplies
- LCD Bias Contrast Control
- Adjustable GaAs SET Bias
- Wireless Data Loggers

## GENERAL DESCRIPTION

The TCM850/1/2/3 combines an inverting charge pump and a low noise linear regulator in a single small outline package. They are ideal for biasing GaAs FETs in cellular telephone transmitter power amplifiers.

All four devices accept a range of input voltages from 4.5V to 10.0V and have  $-5mA$  output current capability. The TCM850/1/2 have both preset ( $-4.1V$ ) and variable ( $-0.5V$  to  $-9.0V$ ) output voltages that program with an external resistor divider. The TCM853 output voltage programs with an external positive control voltage. The TCM850/1/3 can be shutdown reducing quiescent current to less than 0.5 $\mu A$  (typ) over temperature, 2 $\mu A$  (typ) for the TCM851.

## ORDERING INFORMATION

Part No.	Package	Temp. Range
TCM850COA	8-Pin SOIC	0°C to +70°C
TCM850EOA	8-Pin SOIC	-40°C to +85°C
TCM851COA	8-Pin SOIC	0°C to +70°C
TCM851EOA	8-Pin SOIC	-40°C to +85°C
TCM852COA	8-Pin SOIC	0°C to +70°C
TCM852EOA	8-Pin SOIC	-40°C to +85°C
TCM853COA	8-Pin SOIC	0°C to +70°C
TCM853EOA	8-Pin SOIC	-40°C to +85°C
<b>TCM850EV</b>	<b>Evaluation Kit for TCM850/1/2/3</b>	

## FUNCTIONAL BLOCK DIAGRAM

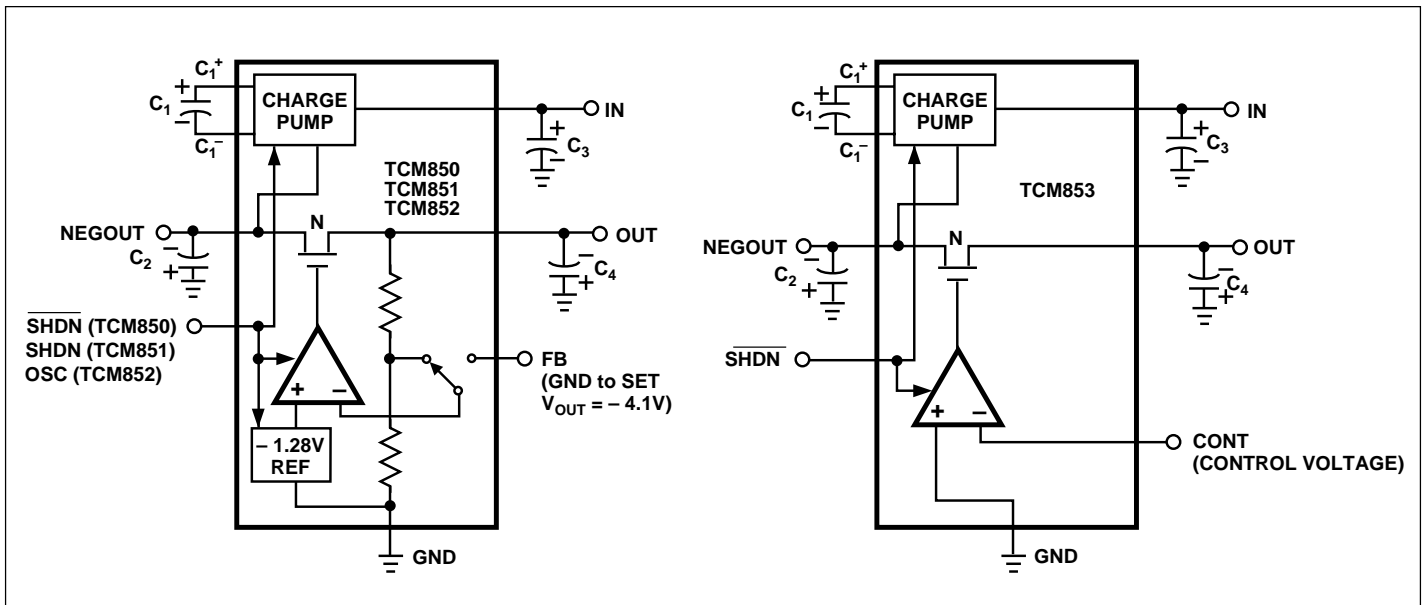


Figure 1.

### ABSOLUTE MAXIMUM RATINGS\*

Supply Voltage ( $V_{IN}$ to GND) .....	- 0.3V to +10.5V
$V_{NEGOUT}$ to GND .....	- 10.5V to 0.3V
$V_{IN}$ to $V_{NEGOUT}$ .....	- 0.3 to 21V
$V_{OUT}$ to GND** .....	$V_{NEGOUT}$ to 0.3V
SHDN or OSC (Pin 4) to GND .....	- 0.3V to ( $V_{IN} + 0.3$ V)
Power Dissipation ( $T_A \leq 70^\circ\text{C}$ )	
SOIC .....	470mW
Operating Temperature Range	
C Device .....	0°C to 70°C
E Device .....	- 40°C to +85°C
Storage Temperature Range .....	- 65°C to +165°C
Lead Temperature (Soldering, 10 sec) .....	+300°C

\*This is a stress ratings only and functional operation of the device at these or any other conditions above those indicated in the operational sections of the specifications is not implied. Exposure to Absolute Maximum Rating Conditions for extended periods may affect device reliability.

\*\*The output may be shorted to NEGOUT or GND if the package power dissipation is not exceeded. Typical short circuit current to GND is 50mA.

**ELECTRICAL CHARACTERISTICS:**  $V_{IN}$  between +5V and +10V;  $V_{OUT} = -4.1$ V;  $R_L = \text{Open Circuit}$ ;  $T_A = T_{MIN}$  to  $T_{MAX}$  unless otherwise noted. A 100kHz, 50% duty cycle square wave between GND and  $V_{IN}$  is applied to the OSC pin of the TCM852.

Symbol	Parameter	Test Conditions	Min	Typ	Max	Unit
$V_{IN}$	Supply Voltage	Note 1	5	—	10	V
$V_{OUT}$	Output Voltage	TCM850-TCM852: $V_{FB} = 0$ V (Note 3) TCM853: $V_{CTRL} = 4.1$ V	- 4.3 - 4.2	- 4.1 —	- 3.9 - 4	V
	Output Voltage Range			- 0.5 to - ( $V_{IN}-1$ )		V
$V_{FBSET}$	Set Voltage	TCM850-852: No Load	- 1.32	- 1.28	- 1.24	V
$I_Q$	Supply Current		—	2	3	mA
$I_{SHUT}$	Shutdown Supply Current	TCM850/853: $V_{IN} = 10$ V, $\overline{\text{SHDN}} = 0$ V TCM851: SHDN = 2V TCM852: OSC Low	— — —	0.5 2 0.5	— — —	$\mu$ A
	$V_{OUT}$ Load Regulation	TCM850-TCM852: $V_{FB} = 0$ V (Note 3) TCM853: $V_{CTRL} = 4.1$ V	— —	4 3	8 8	mV/mA
	$V_{OUT}$ Ripple	TCM850-TCM852 TCM853	— —	2 1	— —	mVp-p
$f_{OSC}$	Oscillator Frequency	TCM850-TCM853: $T_A = 25^\circ\text{C}$ (Note 2)	80	100	120	kHz
$V_{IH}$	Input High Voltage	Pin 4	2	—	—	V
$V_{IL}$	Input Low Voltage	Pin 4	—	—	0.5	V
$I_{IN}$	Input Current	Pin 4	—	—	$\pm 1$	$\mu$ A
$C_{IN}$	Input Capacitance	Pin 4	—	10	—	pF

- NOTES:**
1. The supply voltage can drop to 4.5V, but the output is no longer guaranteed to sink 5mA at - 4.1V.
  2. The TCM852 will operate with a 50kHz to 250kHz square wave of 40% to 60% duty cycle. For best performance, use an 80kHz to 120kHz square wave with 50% duty cycle.
  3.  $I_{OUT} = 0$ mA or 5mA. Reference Figures 3 and 5.

# 5V TO $\pm 10V$ VOLTAGE CONVERTER +B122+B124 REGULATED GaAs FET BIAS SUPPLY

TCM850  
TCM851  
TCM852  
TCM853

## PIN CONFIGURATIONS

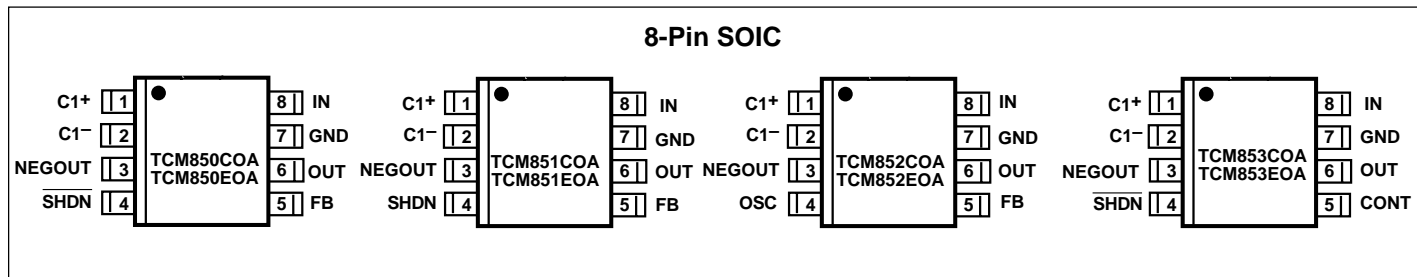


Figure 2.

## PIN DESCRIPTION

Pin No (TCM850)	Pin No (TCM851)	Pin No (TCM852)	Pin No (TCM853)	Symbol	Description
1	1	1	1	C1 <sup>+</sup>	C1 positive input terminal.
2	2	2	2	C1 <sup>-</sup>	C1 negative input terminal.
3	3	3	3	NEGOUT	Negative (unregulated) output voltage.
4	—	—	4	SHDN	Shutdown input (TTL active LOW).
—	4	—	—	SHDN	Shutdown input (TTL active HIGH).
—	—	4	—	OSC	External oscillator input.
5	5	5	—	FB	Feedback input. OUT is preset to $-4.1V$ when FB is grounded. OUT may be adjusted to other voltages by connecting a resistor divider as shown in Figure 4.
—	—	—	5	CONT	Control input. V <sub>OUT</sub> is adjusted with a positive control voltage (0V to 10V) applied to this input through a resistive divider (Figure 5).
6	6	6	6	OUT	Output voltage terminal.
7	7	7	7	GND	Ground.
8	8	8	8	IN	Positive power supply input voltage (4.5V to 10V).

**DETAILED DEVICE DESCRIPTION**

The voltage applied to  $V_{IN}$  is inverted by a capacitive charge pump (using commutating capacitor  $C_1$  and reservoir capacitor  $C_2$ ). The negative voltage at NEGOUT is then regulated by an internal linear regulator, the output of which is connected to the OUT pin (Figure 1). The most negative output voltage possible is the inverted input voltage (i.e.  $-V_{IN}$ ) plus 1.0V (required by the post regulator). The linear regulator reduces combined output noise (charge pump ripple plus incoming supply noise) to 2mVp-p for the TCM850/1/2 and 1mVp-p for the TCM853.

**APPLICATIONS INFORMATION**

**Setting the Output Voltage**

The TCM850/1/2 operate in the fixed output voltage mode ( $OUT = -4.1V$ ) when the FB input is grounded (Figure 3). The output voltage can be adjusted by connecting FB to the midpoint of a resistive voltage divider from OUT to GND (Figure 4). Care must be taken to allow a minimum of 1.0V across the linear regulator for proper regulation. The output voltage is calculated using the formula below ( $R_2$  should be chosen to be between 100kΩ and 400kΩ):

$$V_{OUT} = (-1.28) \left( 1 + \frac{R_2}{R_1} \right)$$

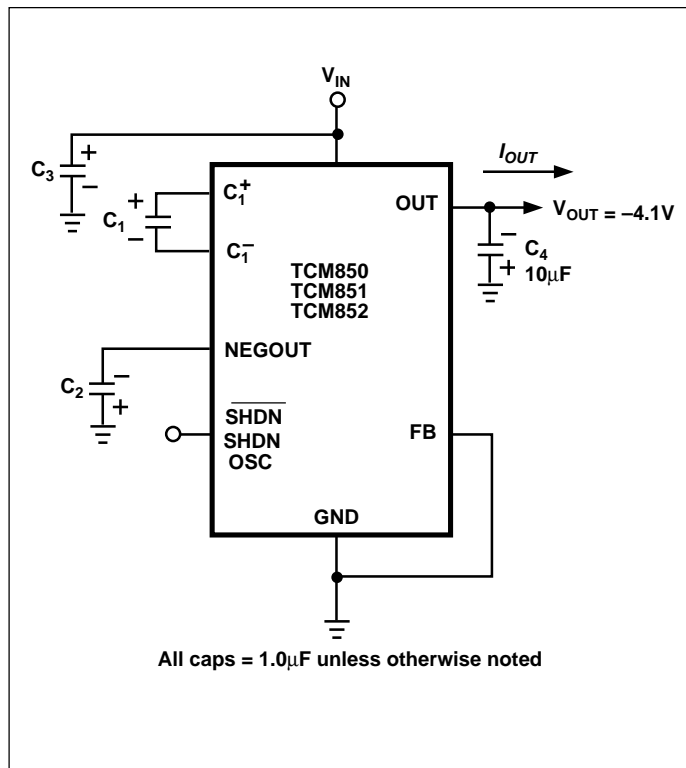


Figure 3. TCM850/851/852 Standard Application

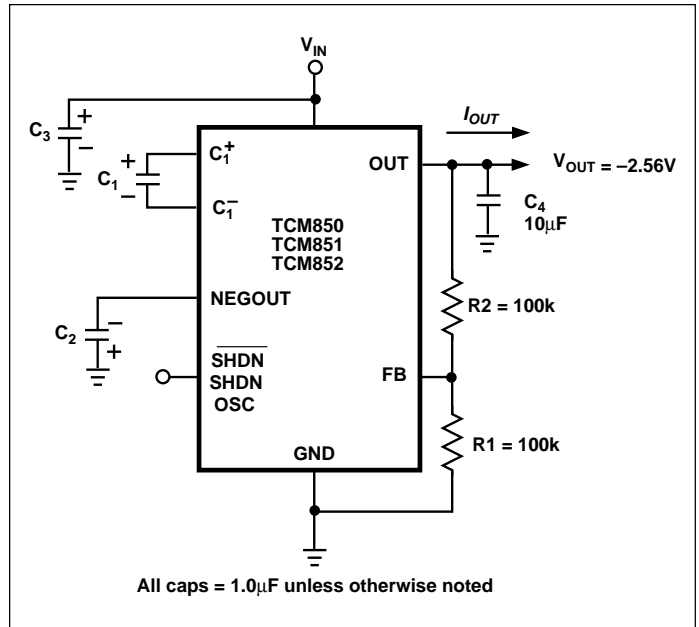


Figure 4. TCM850/851/852 Adjustable Application

The relationship between output voltage and control voltage for the TCM853 (Figure 5) is given by:

$$V_{OUT} = V_{CTRL} (-1.28) \left( \frac{R_2}{R_1} \right)$$

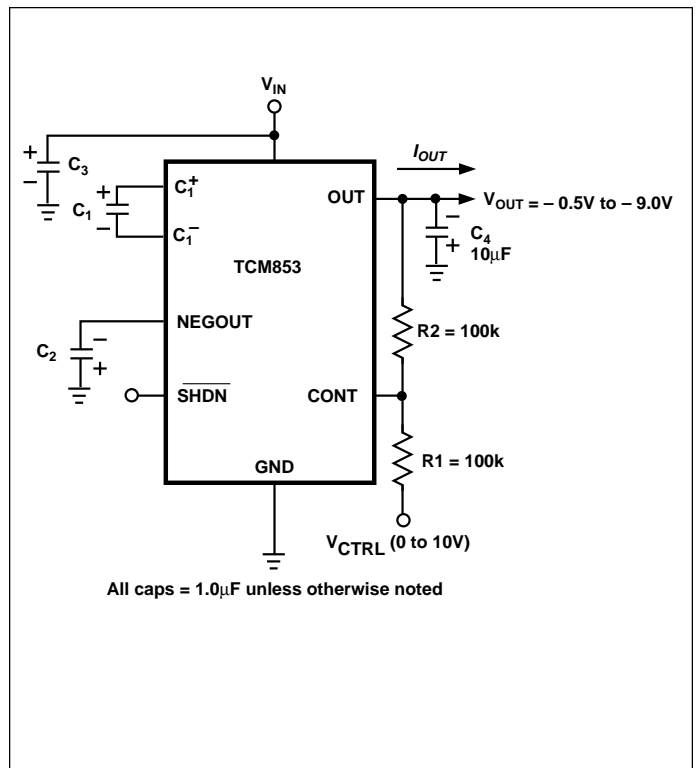


Figure 5. TCM853 Standard Application Circuit

## Shutdown Mode

Shutdown inputs are provided to reduce TCM850/1/3 supply current during idle periods. When the shutdown input is in its active state, supply current over temperature is reduced to 0.5 $\mu$ A (typ) TCM850/2/3 and 2 $\mu$ A (typ) TCM851. All shutdown inputs are TTL level compatible: TCM850 and TCM853 both have active low inputs (SHDN) while the TCM851 has an active high input. The TCM852 can be shutdown by setting the OSC input to a logic low level. The TCM852 exits the shutdown state when the clock signal is again restored.

## Charge Pump Frequency Control

In applications where the charge pump switching frequency may cause interference or filtering problems, it is recommended the TCM852 be used. Switching frequency is determined by a 50kHz to 250kHz square wave signal applied to the OSC input. The signal applied to OSC can have a duty cycle between 40% and 60%. \*Note: an external oscillator signal MUST be applied to the TCM852. The TCM852 does not have an on-board oscillator truebase.

## Capacitors

Capacitors with low effective series resistance (ESR) should be used to maintain sufficient headroom across the linear post regulator. Recommended values for C1, C2, and C3 are 1 $\mu$ F, 0.8 $\Omega$  ESR. The recommended value for C4 is 10 $\mu$ F, 0.2 $\Omega$ . All capacitors should be either surface mount chip tantalum, or chip ceramic types.

## Board Layout

The TCM850/1/2/3 typically finds use in applications where low output noise is important. To ensure good noise performance, please observe the following basic layout suggestions:

- (1) Mount all components in the circuit as close together as possible.
- (2) Keep trace lengths short; especially those to control inputs such as FB and CONT. This will reduce the effect of parasitic capacitance and inductance.
- (3) Minimize ground impedance by employing a ground plane.

## Noise and Ripple Measurement

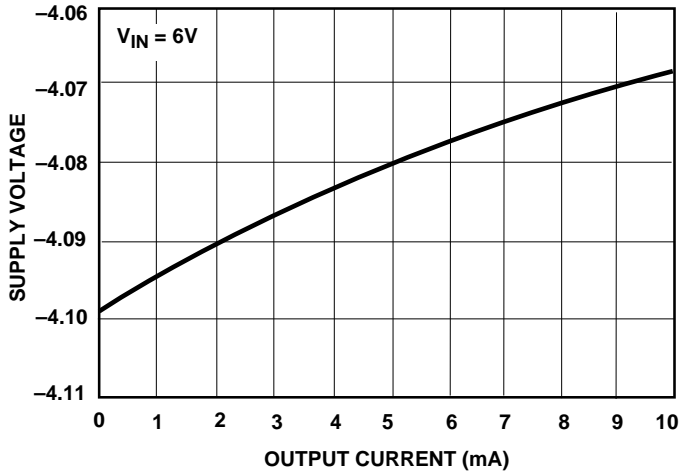
The TCM850/1/2/3 charge pump switching action causes small ground voltage differences between the TCM850/1/2/3 circuit and the oscilloscope. These voltage differences cause ground currents in the probe wires inducing voltage spikes and result in erroneous readings. As a result, noise and ripple measurements should be made *directly* across output capacitor C4. Do not use the ground lead of the oscilloscope probe. Instead, remove the plastic cover from the probe tip and touch the probe ground ring directly to the negative side of C4. Tektronix chassis mount test jack (part number 131-0258) or a nail-type probe tip connect to the probe and minimize noise and ripple measurement error.

## Evaluation Kit

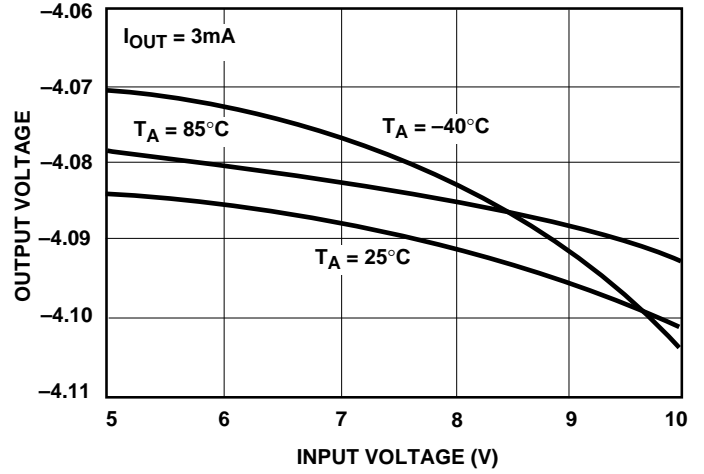
Microchip Technology Inc. offers evaluation kit (TCM850EV) for the TCM850-853. A second evaluation kit (TC7660EV) evaluates several Microchip charge pumps including the TC7660, TC7660S, TC7662B, TC962, TC682. This kit also supports the TCM850 (but not the TCM851-853).

TYPICAL CHARACTERISTICS

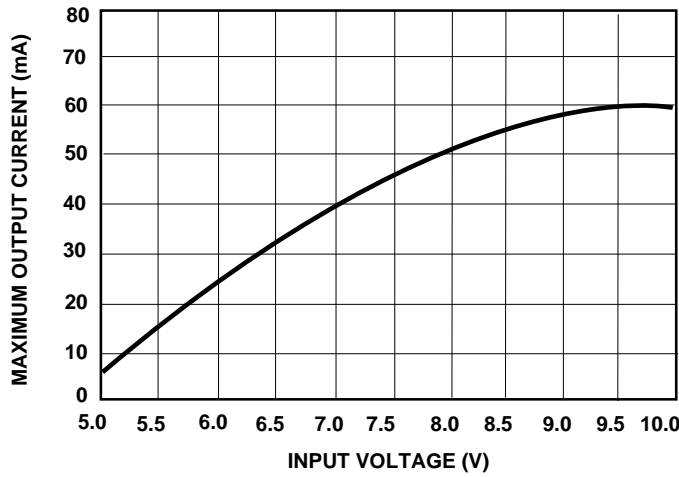
Output Voltage vs. Output Current



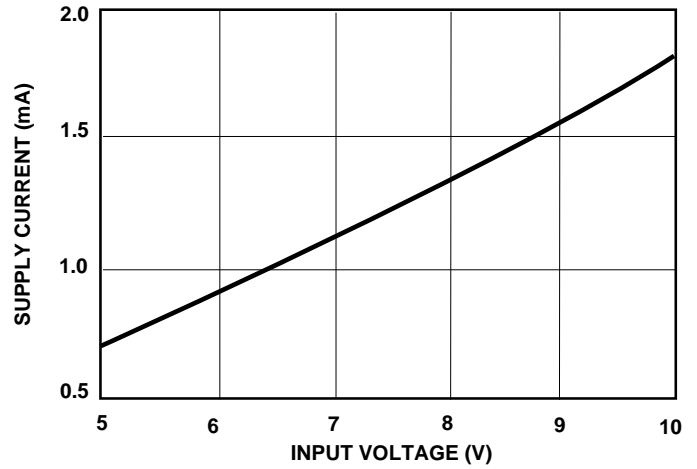
Output Voltage vs. Input Voltage Over Temperature



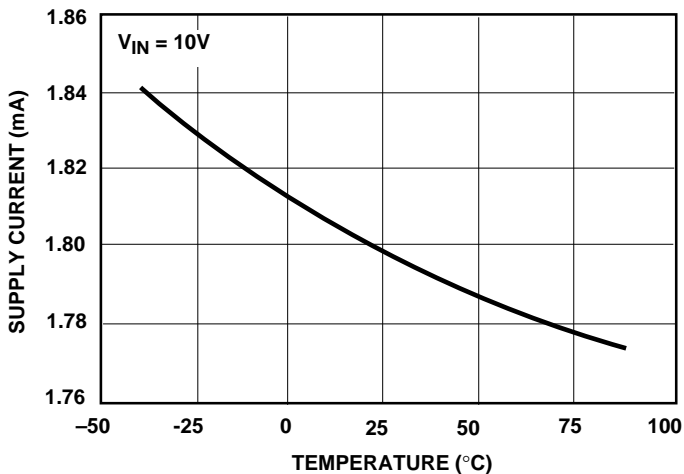
Maximum Output Current vs. Input Voltage



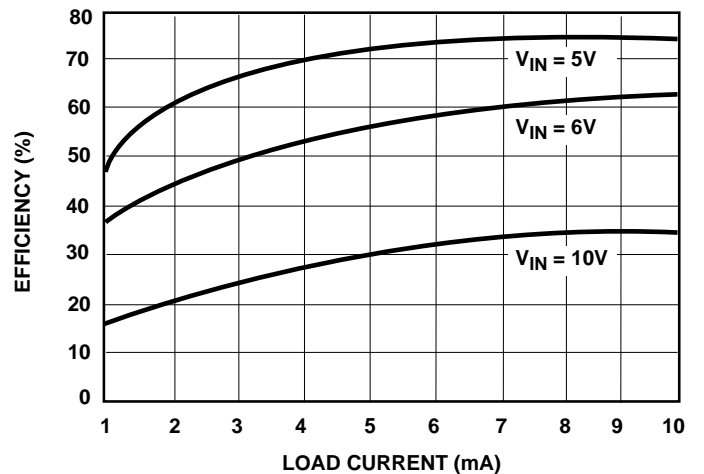
No-Load Supply Current vs. Input Voltage



Supply Current vs. Temperature



Efficiency vs. Load Current

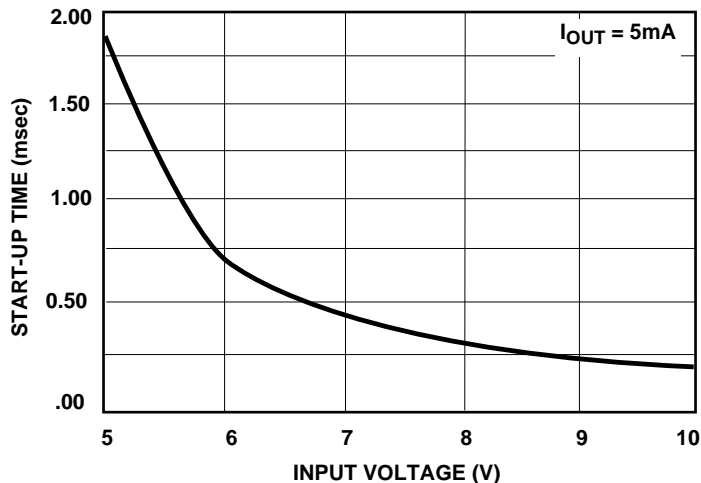


**5V TO ±10V VOLTAGE CONVERTER  
+B122+B124 REGULATED GaAs  
FET BIAS SUPPLY**

**TCM850  
TCM851  
TCM852  
TCM853**

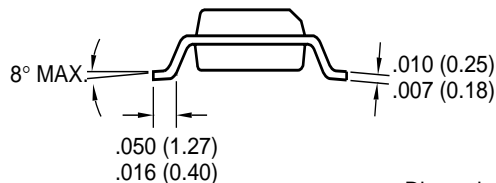
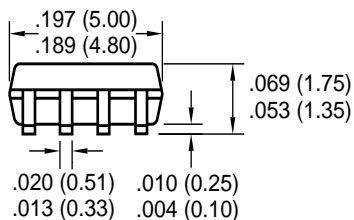
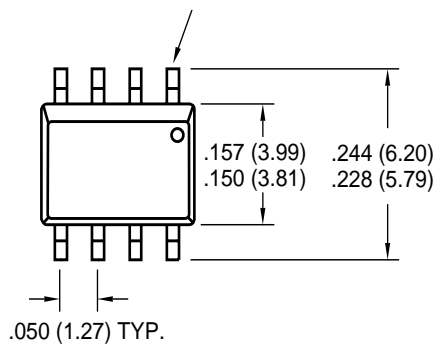
**TYPICAL CHARACTERISTICS (Cont.)**

Start-Up Time vs. Input Voltage



**PACKAGE DIMENSIONS**

**8-Pin SOIC**



Dimensions: inches (mm)



## WORLDWIDE SALES AND SERVICE

### AMERICAS

#### Corporate Office

2355 West Chandler Blvd.  
Chandler, AZ 85224-6199  
Tel: 480-792-7200 Fax: 480-792-7277  
Technical Support: 480-792-7627  
Web Address: <http://www.microchip.com>

#### Rocky Mountain

2355 West Chandler Blvd.  
Chandler, AZ 85224-6199  
Tel: 480-792-7966 Fax: 480-792-7456

#### Atlanta

500 Sugar Mill Road, Suite 200B  
Atlanta, GA 30350  
Tel: 770-640-0034 Fax: 770-640-0307

#### Austin

Analog Product Sales  
8303 MoPac Expressway North  
Suite A-201  
Austin, TX 78759  
Tel: 512-345-2030 Fax: 512-345-6085

#### Boston

2 Lan Drive, Suite 120  
Westford, MA 01886  
Tel: 978-692-3848 Fax: 978-692-3821

#### Boston

Analog Product Sales  
Unit A-8-1 Millbrook Tarry Condominium  
97 Lowell Road  
Concord, MA 01742  
Tel: 978-371-6400 Fax: 978-371-0050

#### Chicago

333 Pierce Road, Suite 180  
Itasca, IL 60143  
Tel: 630-285-0071 Fax: 630-285-0075

#### Dallas

4570 Westgrove Drive, Suite 160  
Addison, TX 75001  
Tel: 972-818-7423 Fax: 972-818-2924

#### Dayton

Two Prestige Place, Suite 130  
Miamisburg, OH 45342  
Tel: 937-291-1654 Fax: 937-291-9175

#### Detroit

Tri-Atria Office Building  
32255 Northwestern Highway, Suite 190  
Farmington Hills, MI 48334  
Tel: 248-538-2250 Fax: 248-538-2260

#### Los Angeles

18201 Von Karman, Suite 1090  
Irvine, CA 92612  
Tel: 949-263-1888 Fax: 949-263-1338

#### Mountain View

Analog Product Sales  
1300 Terra Bella Avenue  
Mountain View, CA 94043-1836  
Tel: 650-968-9241 Fax: 650-967-1590

#### New York

150 Motor Parkway, Suite 202  
Hauppauge, NY 11788  
Tel: 631-273-5305 Fax: 631-273-5335

#### San Jose

Microchip Technology Inc.  
2107 North First Street, Suite 590  
San Jose, CA 95131  
Tel: 408-436-7950 Fax: 408-436-7955

#### Toronto

6285 Northam Drive, Suite 108  
Mississauga, Ontario L4V 1X5, Canada  
Tel: 905-673-0699 Fax: 905-673-6509

### ASIA/PACIFIC

#### China - Beijing

Microchip Technology Beijing Office  
Unit 915  
New China Hong Kong Manhattan Bldg.  
No. 6 Chaoyangmen Beidajie  
Beijing, 100027, No. China  
Tel: 86-10-85282100 Fax: 86-10-85282104

#### China - Shanghai

Microchip Technology Shanghai Office  
Room 701, Bldg. B  
Far East International Plaza  
No. 317 Xian Xia Road  
Shanghai, 200051  
Tel: 86-21-6275-5700 Fax: 86-21-6275-5060

#### Hong Kong

Microchip Asia Pacific  
RM 2101, Tower 2, Metroplaza  
223 Hing Fong Road  
Kwai Fong, N.T., Hong Kong  
Tel: 852-2401-1200 Fax: 852-2401-3431

#### India

Microchip Technology Inc.  
India Liaison Office  
Divyasree Chambers  
1 Floor, Wing A (A3/A4)  
No. 11, OIShaughnessey Road  
Bangalore, 560 025, India  
Tel: 91-80-2290061 Fax: 91-80-2290062

#### Japan

Microchip Technology Intl. Inc.  
Benex S-1 6F  
3-18-20, Shinyokohama  
Kohoku-Ku, Yokohama-shi  
Kanagawa, 222-0033, Japan  
Tel: 81-45-471- 6166 Fax: 81-45-471-6122

#### Korea

Microchip Technology Korea  
168-1, Youngbo Bldg. 3 Floor  
Samsung-Dong, Kangnam-Ku  
Seoul, Korea  
Tel: 82-2-554-7200 Fax: 82-2-558-5934

### ASIA/PACIFIC (continued)

#### Singapore

Microchip Technology Singapore Pte Ltd.  
200 Middle Road  
#07-02 Prime Centre  
Singapore, 188980  
Tel: 65-334-8870 Fax: 65-334-8850

#### Taiwan

Microchip Technology Taiwan  
11F-3, No. 207  
Tung Hua North Road  
Taipei, 105, Taiwan  
Tel: 886-2-2717-7175 Fax: 886-2-2545-0139

### EUROPE

#### Australia

Microchip Technology Australia Pty Ltd  
Suite 22, 41 Rawson Street  
Epping 2121, NSW  
Australia  
Tel: 61-2-9868-6733 Fax: 61-2-9868-6755

#### Denmark

Microchip Technology Denmark ApS  
Regus Business Centre  
Lautrup høj 1-3  
Ballerup DK-2750 Denmark  
Tel: 45 4420 9895 Fax: 45 4420 9910

#### France

Arizona Microchip Technology SARM  
Parc diActivite du Moulin de Massy  
43 Rue du Saule Trapu  
Batiment A - 1er Etage  
91300 Massy, France  
Tel: 33-1-69-53-63-20 Fax: 33-1-69-30-90-79

#### Germany

Arizona Microchip Technology GmbH  
Gustav-Heinemann Ring 125  
D-81739 Munich, Germany  
Tel: 49-89-627-144 0 Fax: 49-89-627-144-44

#### Germany

Analog Product Sales  
Lochhamer Strasse 13  
D-82152 Martinsried, Germany  
Tel: 49-89-895650-0 Fax: 49-89-895650-22

#### Italy

Arizona Microchip Technology SRL  
Centro Direzionale Colleoni  
Palazzo Taurus 1 V. Le Colleoni 1  
20041 Agrate Brianza  
Milan, Italy  
Tel: 39-039-65791-1 Fax: 39-039-6899883

#### United Kingdom

Arizona Microchip Technology Ltd.  
505 Eskdale Road  
Winnersh Triangle  
Wokingham  
Berkshire, England RG41 5TU  
Tel: 44 118 921 5869 Fax: 44-118 921-5820

All rights reserved. © 2001 Microchip Technology Incorporated. Printed in the USA. 1/01  Printed on recycled paper.

01/09/01

Information contained in this publication regarding device applications and the like is intended through suggestion only and may be superseded by updates. It is your responsibility to ensure that your application meets with your specifications. No representation or warranty is given and no liability is assumed by Microchip Technology Incorporated with respect to the accuracy or use of such information, or infringement of patents or other intellectual property rights arising from such use or otherwise. Use of Microchip's products as critical components in life support systems is not authorized except with express written approval by Microchip. No licenses are conveyed, implicitly or otherwise, except as maybe explicitly expressed herein, under any intellectual property rights. The Microchip logo and name are registered trademarks of Microchip Technology Inc. in the U.S.A. and other countries. All rights reserved. All other trademarks mentioned herein are the property of their respective companies.