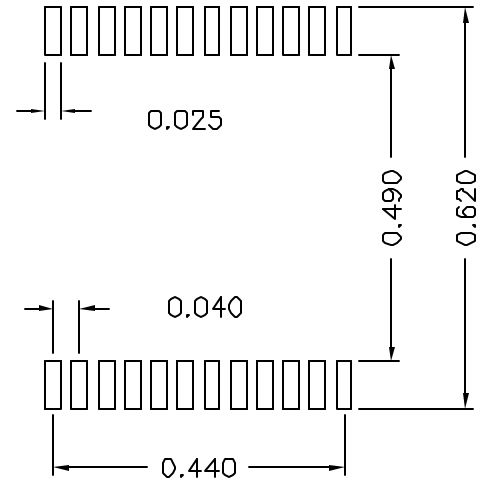
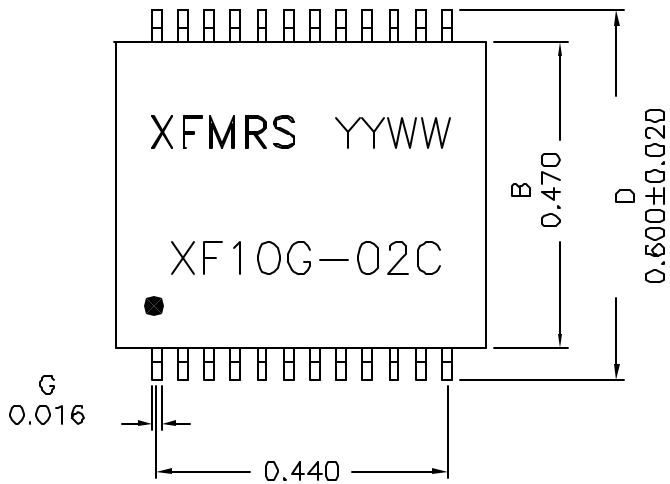
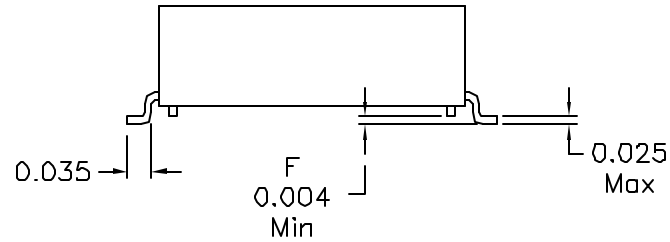
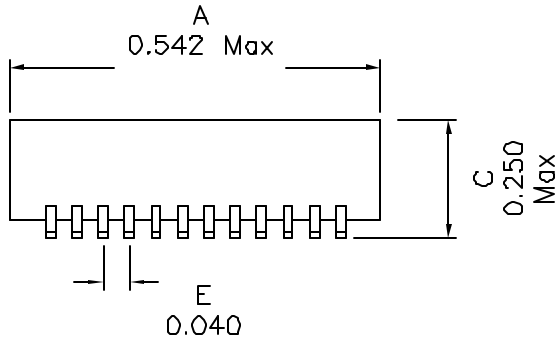


1. Mechanical Dimensions:



SUGGESTED PAD LAYOUT

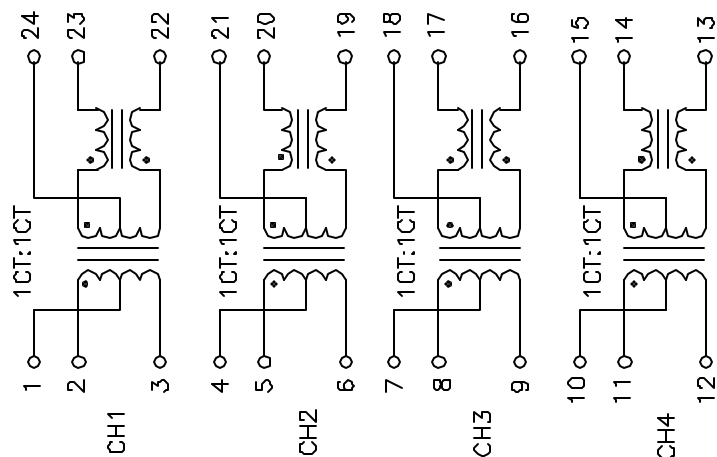
PRELIMINARY

DOC REV: A/1

PROPRIETARY Document is the property of XFMRs Group & is not allowed to be duplicated without authorization.

XFMRs Inc www.XFMRs.com		Title: 10Gig Single Port Transformer Module	
UNLESS OTHERWISE SPECIFIED TOLERANCES: .xxx ±0.010 Dimensions in INCH	P/N: XF10G-02C		REV. A
	DWN.	Xianyí	Aug-28-09
	CHK.	YK Liao	Aug-28-09
SHT 1 OF 2	APP.	Joe Huff	Aug-28-09

2. Schematic:



Notes:

1. Solderability: Leads shall meet MIL-STD-202C, Method 208H for solderability.
2. Flammability: UL94V-0
3. ASTM oxygen index: > 28%
4. Insulation System: Class F 155°C, UL file E151556
5. Operating Temperature Range: All listed parameters are to be within tolerance from 0°C to +70°C
6. Storage Temperature Range: -55°C to +125°C
7. Aqueous wash compatible
8. SMD Lead Coplanarity: $\pm 0.004^{\circ}$ (0.102mm)
9. Electrical and mechanical specifications 100% tested
10. RoHS Compliant Component

3. Electrical Specifications: @25°C

ISOLATION: 1500 Vrms

INSERTION LOSS: -0.3dB Max @1MHz
 -1.0dB Max @2MHz-300MHz
 -1.5dB Max @400MHz
 -2.0dB Max @500MHz

OCL: Pins 2-3,5-6,8-9,11-12 62uH Min @100KHz 100mV for Each

RETURN LOSS: -18dB Min @1MHz
 -20dB Min @2MHz-300MHz
 -15dB Min @400MHz
 -12dB Min @500MHz
 -9dB Min @600MHz

CM to DM Rejection Ratio: -48dB Typ @50MHz
 -42dB Typ @100MHz
 -36dB Typ @200MHz
 -33dB Typ @300MHz
 -30dB Typ @400MHz
 -28dB Typ @500MHz

CM TO CM Rejection Ratio: -30dB Typ @50MHz
 -27dB Typ @100MHz
 -24dB Typ @200MHz
 -22dB Typ @300MHz
 -21dB Typ @400MHz
 -20dB Typ @500MHz

Turns Ratio: (2-3):(23-22)=1CT:1CT
 (5-6):(20-19)=1CT:1CT
 (8-9):(17-16)=1CT:1CT
 (11-12):(14-13)=1CT:1CT

PRELIMINARY

DOC REV: A/1

PROPRIETARY

Document is the property of XFMRs Group & is not allowed to be duplicated without authorization.

XFMRs Inc www.XFMRs.com	Title: 10Gig Single Port Transformer Module		
	UNLESS OTHERWISE SPECIFIED TOLERANCES: .xxx ±0.010 Dimensions in INCH	P/N: XF10G-02C	REV. A
SHT 2 OF 2	CHK.	YK Liao	Aug-28-09
	APP.	Joe Huff	Aug-28-09