

KEY FEATURES

- Fully Isolated Plastic Case with IP65/67 Level
- Suitable for Dry / Damp / Wet / Locations
- Universal Input: 100-277 VAC
- Built-in Active PFC Function
- High Efficiency up to 90%
- Free Air Convection
- High Reliability
- With Constant Current & Constant Voltage
- Output Voltage and Constant Current Level can Be Adjusted Through Internal Potential Meter
- LED Power Application
- Super Small Size: 4.0 x 1.8 x 1.45 Inches
- 3-Years Product Warranty


IP65/67 CE
ELECTRICAL SPECIFICATIONS

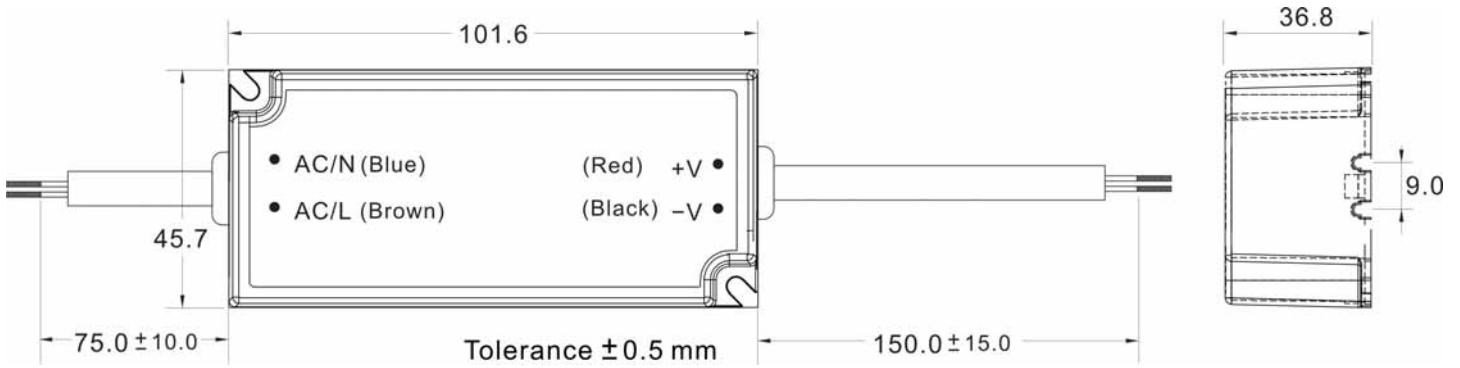
All specifications valid at normal input voltage, full load and +25°C after warm-up time unless otherwise stated.

Model No.	PSF60-13.5S	PSF60-24S	PSF60-28S	PSF60-42S	PSF60-54S	
Max output wattage (W)	60W					
Input	Voltage (Note2)		90-295 VAC			
	Frequency (Hz)		50 / 60 Hz			
	Power factor		PF>0.9 at Full load (115 VAC / 230 VAC)			
	Current (Full load)		0.8A max. (115 VAC) / 0.4A max. (230 VAC)			
	Inrush current		50 A max. (Cold Start at 230 VAC)			
	Leakage Current		< 0.7 mA max at 240 VAC			
Output	Voltage (V.DC.)	13.5V	24V	28V	42V	54V
	Constant Current Operation Voltage (max) (CC Mode) (Note3)	11~13.5 VDC	18~ 24 VDC	21~28 VDC	33.5~ 42 VDC	38~54 VDC
	Voltage Tolerance	±10%				
	Preset Current (mA) (CC Mode)	4200	2400	2100	1400	1050
	Current Adjustment Range (mA) (CC Mode)	3570~4200	1700~2500	1400~2100	1100~1400	700~1100
	Minimum Load (mA)	3570	1700	1400	1100	700
	Line Regulation (100-270VAC) (typ.)	±4%				
	Load Regulation (Min-Max) (typ.)	±5%				
	Ripple & Noise (max)	4Vp-p	4.5Vp-p	5Vp-p	5Vp-p	5Vp-p
Efficiency (at 230VAC.) (typ)	85%	88%	89%	89%	90%	
Protection	Over current protection	Auto recovery				
	Over voltage protection	Zener diode clamp				
	Short circuit protection	Auto recovery				
Isolation	Input-Output (V.AC)	3750V				
	Input-FG (V.AC)	1880V				
	Output-FG (V.AC)	500V				
Environment	Operating temperature	-30°C...+70°C (with derating)				
	Storage temperature	-40°C...+85°C				
	Temperature coefficient	0.02%/°C				
	Humidity	95% RH				
	MTBF	>583,000 h @ 25°C (MIL-HDBK-217F)				
Physical	Dimension (L x W x H)	4.0 x 1.8 x 1.45 Inches (101.6 x 45.7 x 36.8 mm) Tolerance ±0.5 mm				
	Weight	g				
	Cooling method	Free air convection				
Safety	Agency Approvals	UL8750 · IEC / EN 61347-2-13 · IEC / EN 61347-1 (Pending)				
EMC	EMI (Conducted & Radiated Emission)	EN 55015 (Pending)				
	EMS (Noise Immunity)	EN 61547 (Pending)				
	Harmonic Current	EN 61000-3-2(at Full Load) · EN 61000-3-3 (Pending)				
	Surge	2KV L-L, 4KV L-E				

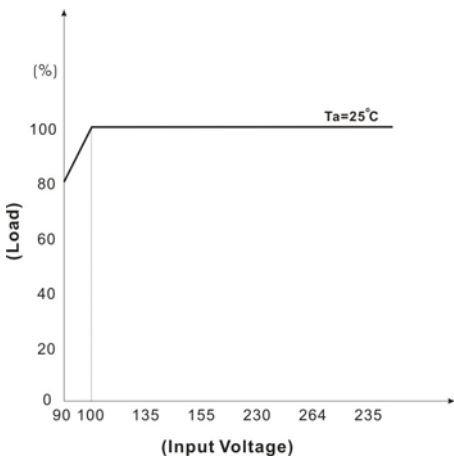
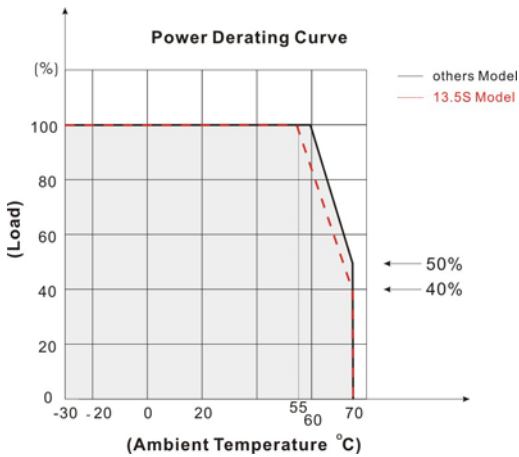
Note:

1. Ripple & Noise are measured at 20MHz of bandwidth with 0.1uF & 47uF parallel capacitor.
2. Please check the derating curve for more details.
3. Input Voltage=115 or 230 VAC. This is the suitable operation region for LED related application.but please reconfirm special electrical requirements for some specific ststem design.

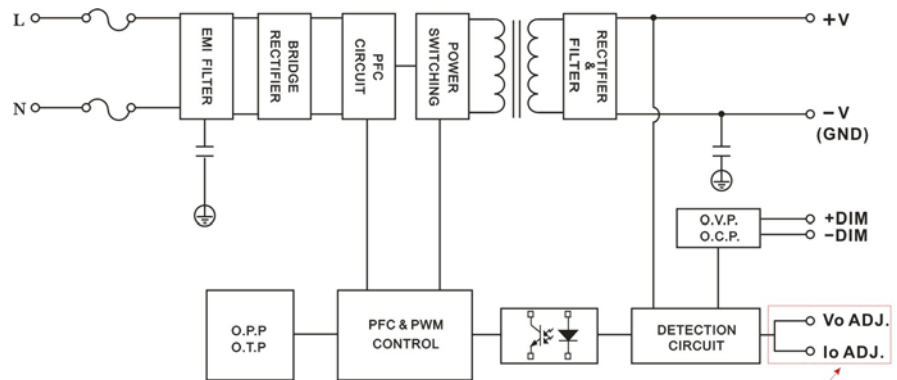
MECHANICAL DIMENSION (Top View)



DERATING



BLOCK DIAGRAM



IP67 without this