

**MODEL NUMBER
DSW68034**

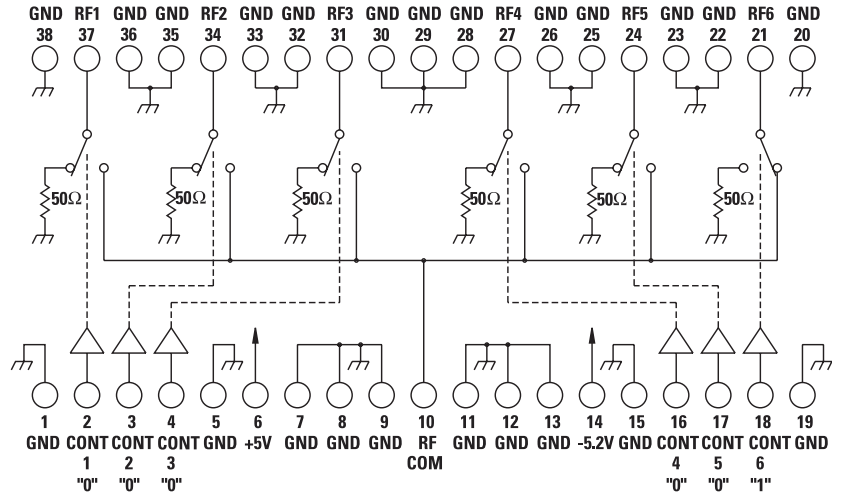
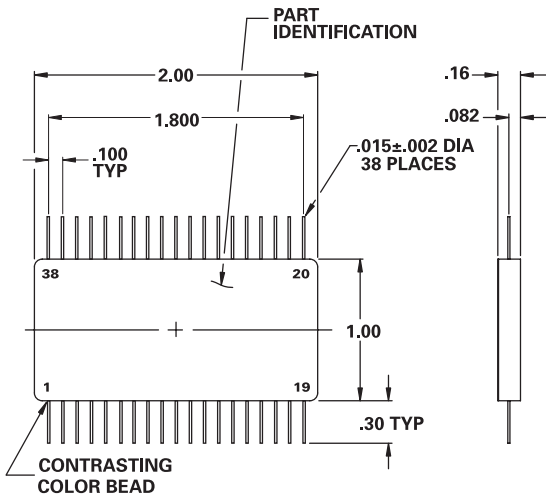
PIN Diode SP6T

FEATURES

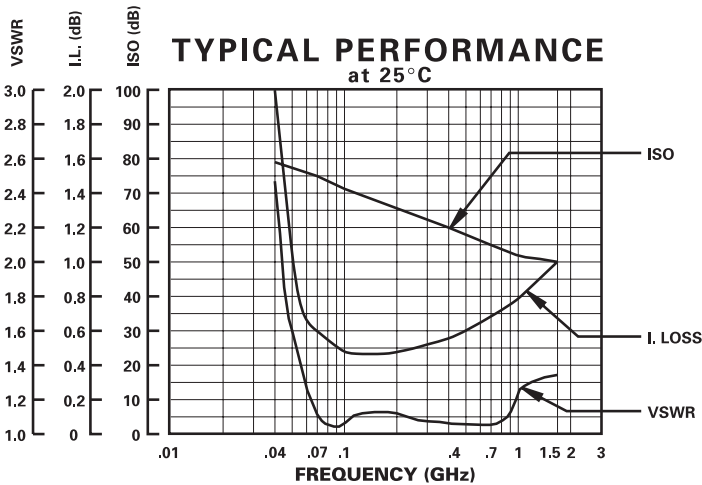
- 100-1000 MHz
- 50 dB Isolation
- +25 dBm to 0.1 dB Compression
- 38 Pin Flatpack

SP6T

www.DataSheet4U.com



GUARANTEED PERFORMANCE



Parameter	Min	Typ	Max	Units	Conditions
Operating Frequency	100		1000	MHz	
DC Current		25	35	mA	At +5 VDC Supply
		30	45	mA	At -5.2 VDC Supply
Control Type		TTL			6 Lines Logic "1" = On Logic "0" = Off
Control Current	High	0	50	μA	VIH = +2.0V
	Low	-0.26	-500	μA	VIL = +0.8V
Insertion Loss		.8	1.5	dB	
Isolation		45	53	dB	
VSWR	Thru	1.15/1	1.5/1		
	Termination	1.15/1	1.5/1		
Impedance		50		OHMS	
Switching Speed		0.245	1.0	μSEC	50% TTL to 90% / 10% RF
Transition (Rise/Fall) Time		100		nSEC	10% / 90% or 90% / 10% RF
Switching (Video) Transients		0.70	1.2	V	Peak Value
Intercept Points	2nd	+90		dBm	160 / 60 MHz
	3rd	+40	+50	dBm	130 / 160 MHz
RF Power	Operate	+25	+20	dBm	0.1 dB Compression
	No Damage		+30	dBm	
Operating Temperature	-55	+25	+125	°C	TA