

NEW

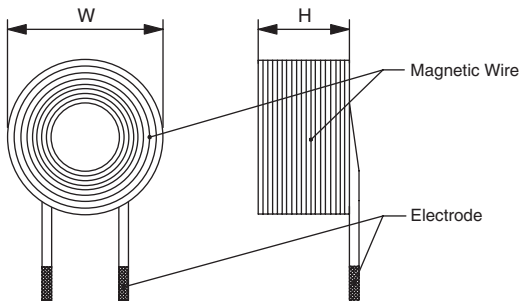


features

- Wirewound coil keeps its shape even if neither core nor bobbin are used
- Custom product available
- Provide a stable shape coil by the original winding technology
- Products meet EU RoHS requirements

Inductors

dimensions and construction



Type	Dimensions inches (mm)	
	W	H
LWA	.394 (10)	.236 (6)

ordering information

New Part #	LWA	1006	C	TED	551	J
	Type	Style	Termination Surface Material	Packaging	Nominal Inductance	Tolerance
		W X H (mm) 10 X 6	C: Sn/Cu	TED: embossed plastic	3 digits	J: ±5%

For further information on packaging, please refer to Appendix A.

applications and ratings

Type	Nominal Inductance (μH)	Inductance Tolerance	Measuring Frequency (kHz)	DC Resistance Maximum (Ω)	Allowable DC Current Maximum (mA)	Operating Temperature Range
LWA	550	J: ±5%	10	6.7	7	-40°C to +85°C

environmental applications

Performance Characteristics

Parameter	Requirements Maximum Δ L/L		Test Method
	Limit	Typical	
Rapid Change of Temperature	Δ L/L: ±5% No significant abnormality in appearance	Δ L/L: ±0.74%	-40°C (30min.)/ +85°C (30min.) 100 cycles
Low Temperature Exposure	Δ L/L: ±5% No significant abnormality in appearance	Δ L/L: ±0.32%	-40°C ± 2°C, 100h
High Temperature Exposure	Δ L/L: ±5% No significant abnormality in appearance	Δ L/L: ±0.42%	85°C ± 2°C, 100h
Moisture Exposure	Δ L/L: ±5% No significant abnormality in appearance	Δ L/L: ±0.51%	40°C ± 2°C, 90%~95%RH, 100h

For complete environmental specifications, please refer to www.koaspeer.com