

**PLEASE CHECK WWW.MOLEX.COM FOR LATEST PART INFORMATION**

**Part Number:** **0557633070**  
**Status:** **Active**  
**Overview:** microclasp  
**Description:** 2.00mm (.079") Pitch MicroClasp™ Wire-to-Board Header, Surface Mount, Dual Row, Vertical, Lead-free, 30 Circuits

**Documents:**

[3D Model](#) [Product Specification PS-51242-002 \(PDF\)](#)  
[Drawing \(PDF\)](#) [RoHS Certificate of Compliance \(PDF\)](#)

**General**

Product Family	PCB Headers
Series	<a href="#">55763</a>
Application	Wire-to-Board
Overview	<a href="#">microclasp</a>
Product Name	MicroClasp™

**Physical**

Breakaway	No
Circuits (Loaded)	30
Circuits (maximum)	30
Durability (mating cycles max)	30
First Mate / Last Break	No
Glow-Wire Compliant	No
Guide to Mating Part	No
Keying to Mating Part	None
Lock to Mating Part	Yes
Material - Plating Mating	Tin
Material - Plating Termination	Tin
Number of Rows	2
Orientation	Vertical
PC Tail Length (in)	0.177 In
PC Tail Length (mm)	4.50 mm
PCB Locator	No
PCB Retention	Yes
Packaging Type	Embossed Tape on Reel
Pitch - Mating Interface (in)	0.079 In
Pitch - Mating Interface (mm)	2.00 mm
Shrouded	Fully
Stackable	No
Temperature Range - Operating	-25°C to +85°C
Termination Interface: Style	Surface Mount

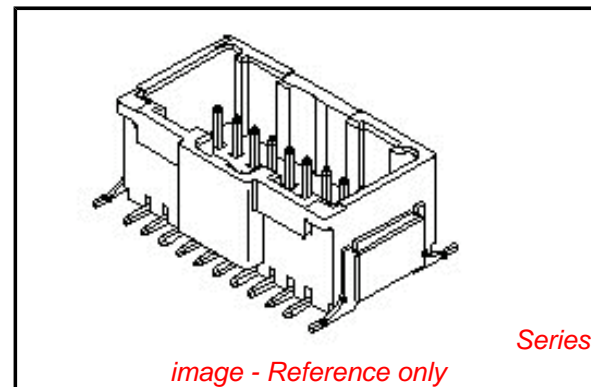
**Electrical**

Current - Maximum per Contact	3A
Voltage - Maximum	250V

**Material Info**

**Reference - Drawing Numbers**

Packaging Specification	SPK-55763-001
Product Specification	PS-51242-002, RPS-51242-004
Sales Drawing	SD-55763-006, SD-55763-007



**EU RoHS**

**ELV and RoHS  
Compliant**  
**REACH SVHC**  
 Not Reviewed  
**Halogen-Free**  
**Status**  
**Not Reviewed**

**China RoHS**



**Need more information on product  
environmental compliance?**

Email [productcompliance@molex.com](mailto:productcompliance@molex.com)  
 For a multiple part number RoHS Certificate of Compliance, [click here](#)

Please visit the [Contact Us](#) section for any non-product compliance questions.

**Search Parts in this Series**

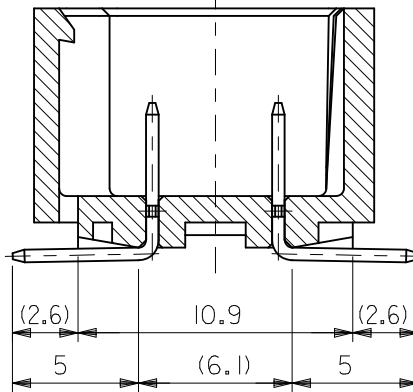
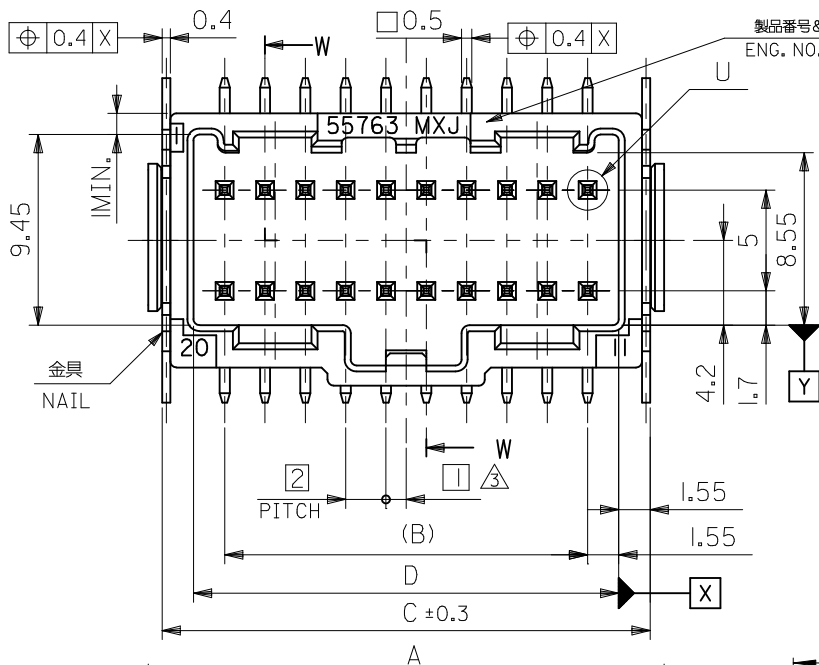
[55763Series](#)

**Mates With**

[51242 MicroClasp™ Wire-to-Board Receptacle Housing](#)

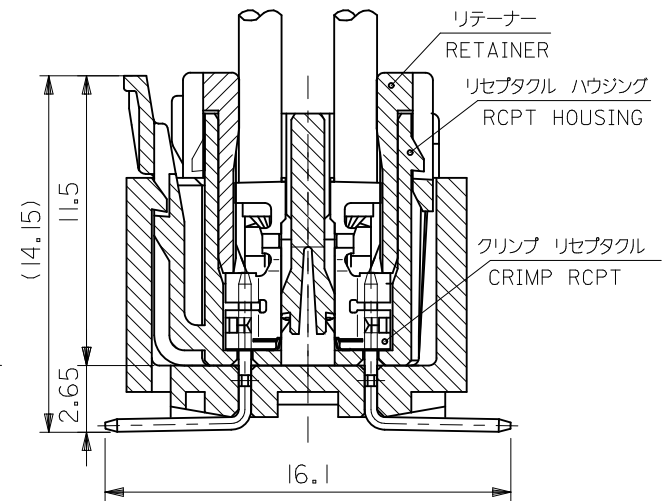
**PLEASE CHECK [WWW.MOLEX.COM](http://WWW.MOLEX.COM) FOR LATEST PART INFORMATION**

10 9 8 7 6 5 4 3 2 1



SECTION W-W

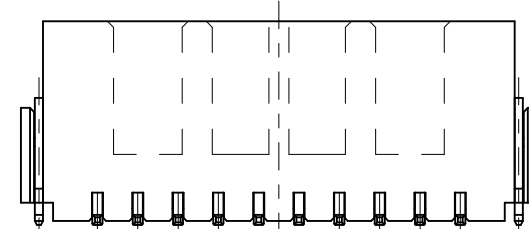
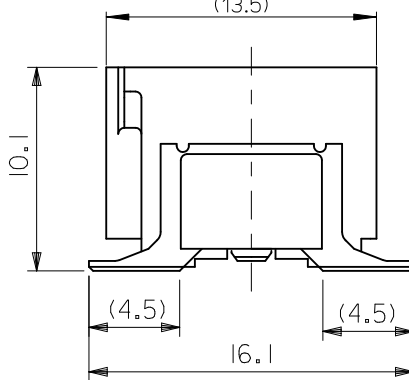
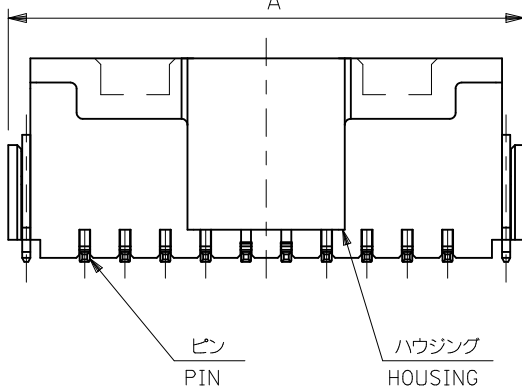
SCALE 5:1



ターミナル及びリテーナー装着状態図

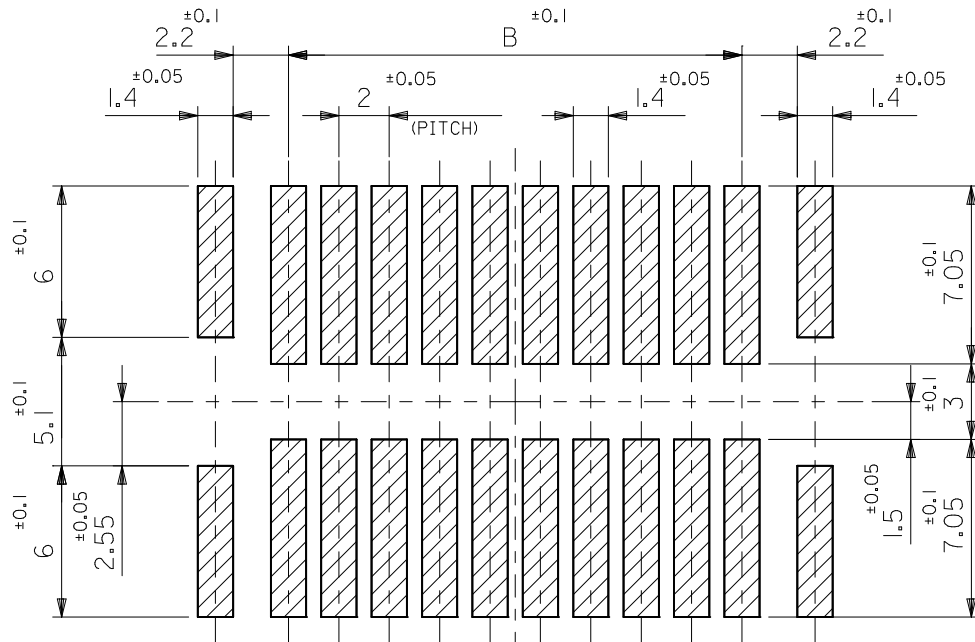
TERMINAL & RETAINER ASSEMBLY DRAWING

SCALE 5:1

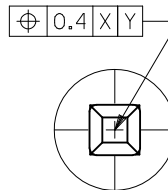


41.1	44.2	38	45.6	55763-408*	40
31.1	34.2	28	35.6	55763-308*	30
21.1	24.2	18	25.6	55763-208*	20
D	C	B	A	△ MATERIAL NO.	CKT.
MODEL NO. 55763-***8*					

REVISED EC NO: J2010-2017 DRWN: ITO CHKD: K. TOJO APPR: NUKITA	2010/04/07 2010/04/09 2010/04/12	GENERAL TOLERANCES (UNLESS SPECIFIED)		DIMENSION STYLE MM ONLY		SCALE 4:1	DESIGN UNITS METRIC	THIRD ANGLE PROJECTION	
		10 UNDER	±0.2	DRAWN BY M. NAGATA	DATE 2004/02/10	TITLE 2.0MM W-TO-B DUAL CONN PLUG HOUSING ASS'Y -LEAD FREE-			
		10 OVER 30 UNDER	±0.25	CHECKED BY K. TOJO	DATE 2004/02/10	MOLEX INCORPORATED			
		30 OVER	±0.3	APPROVED BY M. SASAO	DATE 2004/02/10	DOCUMENT NO. SD-55763-006			
REV	DESCRIPTION	ANGULAR	±3 °	MATERIAL NO.	SEE CHART				SHEET NO. 1 OF 2
		DRAFT WHERE APPLICABLE MUST REMAIN WITHIN DIMENSIONS		THIS DRAWING CONTAINS INFORMATION THAT IS PROPRIETARY TO MOLEX INCORPORATED AND SHOULD NOT BE USED WITHOUT WRITTEN PERMISSION					



参考基板レイアウト (マウント面)  
P.C.BOARD PATTERN DIMENSION (REFERENCE)  
(MOUNTING AREA)



DETAIL U  
SCALE 30:1

注記 NOTES

1. 使用材料 MATERIAL  
ハウジング: ポリアミド、ガラス入り、UL94V-0、色:自然色(白)  
HOUSING: PA46, UL94V-0, COLOR: NATURAL(WHITE)  
ピン: 黄銅 (□0.5)  
PIN: BRASS (□0.5)  
金具: 黄銅 (t=0.4)  
NAIL: BRASS (t=0.4)
2. メッキ仕様 PLATING  
ピン PIN  
錫 2.0マイクロメートル  
TIN 2.0MICROMETER MINIMUM  
下地メッキ: 銅メッキ 1.0マイクロメートル  
UNDER PLATING: COPPER 1.0MICROMETER MINIMUM  
金具 NAIL  
錫 2.0マイクロメートル  
TIN 2.0MICROMETER MINIMUM  
下地メッキ: ニッケルメッキ 1.0マイクロメートル  
UNDER PLATING: NICKEL 1.0MICROMETER MINIMUM

⚠ (全極数/2) = 偶数の場合に適用。  
APPLY FOR (CIRCUIT/2)=EVEN

4. 嵌合相手: 51242-\*\*\*00  
MATE WITH: 51242-\*\*\*00
5. テール平坦度は、0.1以下  
テール及び金具の平坦度は、0.1以下  
TAIL COPLANARITY TO BE 0.1MAXIMUM.  
TAIL AND FITTING NAIL  
COPLANARITY TO BE 0.1 MAXIMUM.

⚠ 製品番号  
MATERIAL NO.  
55763-\*\*\*8\*

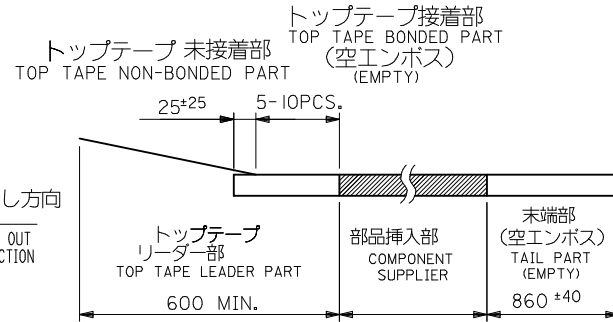
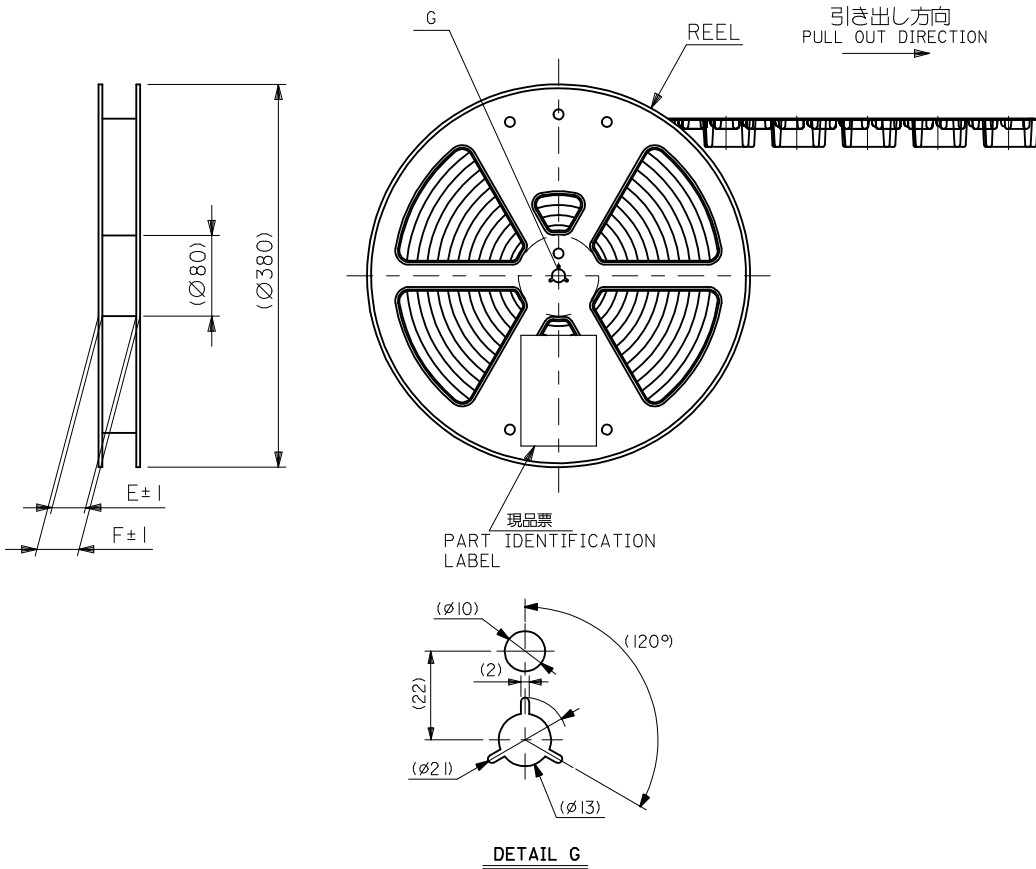
極数 CIRCUIT SIZE	色 COLOR	ナチュラル(白) NATURAL(WHITE)	0
		赤 RED	2

7. 本製品は 55763-\*\*\* の鉛フリー品である。  
THIS PRODUCT IS LEAD FREE OF 55763-\*\*\*

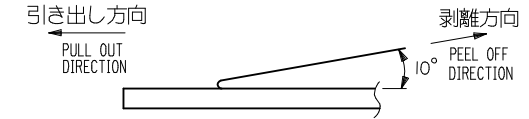
MODEL NO. 55763-\*\*\*8\*

REVISED EC NO: J2010-2017 DRWN: NITO 2010/04/07 CHKD: TOJO 2010/04/09 APPR: NUKITA 2010/04/12	GENERAL TOLERANCES (UNLESS SPECIFIED)		DIMENSION STYLE MM ONLY	SCALE ---	DESIGN UNITS METRIC	THIRD ANGLE PROJECTION
	10 UNDER	± ---	DRAWN BY M. NAGATA	DATE 2004/02/10	TITLE 2.0MM W-TO-B DUAL CONN PLUG HOUSING ASS'Y -LEAD FREE-	
	10 OVER 30 UNDER	± ---	CHECKED BY K. TOJO	DATE 2004/02/10	MOLEX INCORPORATED	
	30 OVER	± ---	APPROVED BY M. SASAO	DATE 2004/02/10	MATERIAL NO. SEE CHART	DOCUMENT NO. SD-55763-006
REV	DESCRIPTION	ANGULAR ± --- ° DRAFT WHERE APPLICABLE MUST REMAIN WITHIN DIMENSIONS	SIZE A3	THIS DRAWING CONTAINS INFORMATION THAT IS PROPRIETARY TO MOLEX INCORPORATED AND SHOULD NOT BE USED WITHOUT WRITTEN PERMISSION		

- NOTES
1. 梱包数量：300個/リール  
NUMBER OF CONNECTORS : 300PCS/REEL
  2. リードテープ長さ  
LEAD TAPE LENGTH



3. トップテープの剥離強度：0.1N ~ 1.3N (10 ~ 130gf)  
<剥離速度：300mm/min (参考)> (剥離方向は下図参照)  
PEELING OFF FORCE OF TOP TAPE : 0.1N ~ 1.3N (10 ~ 130gf)  
(PEELING DIRECTION AS SHOWN IN FOLLOWING FIG.)  
PEELING OFF SPEED : 300mm/min. (REF.)



4. 材料  
キャリアテープ：ポリプロピレン (PP)  
トップテープ：PET、PE、PEF  
リール：ポリスチレン (PS) <リサイクル材を含む>  
MATERIAL CARRIER TAPE : POLYPROPYLENE  
TOP TAPE : PET, PE, PEF  
REEL : POLYSTYREN(PS) <RECYCLE MATERIAL CONTAINED>

5. 欠損無きこと。  
THERE MUST NOT BE LOSS.

△ 製品番号  
MATERIAL NO.

55763-\*\*\*7\*

極数 CIRCUIT SIZE	色 COLOR	ナチュラル(白) NATURAL(WHITE)	0
		赤 RED	2

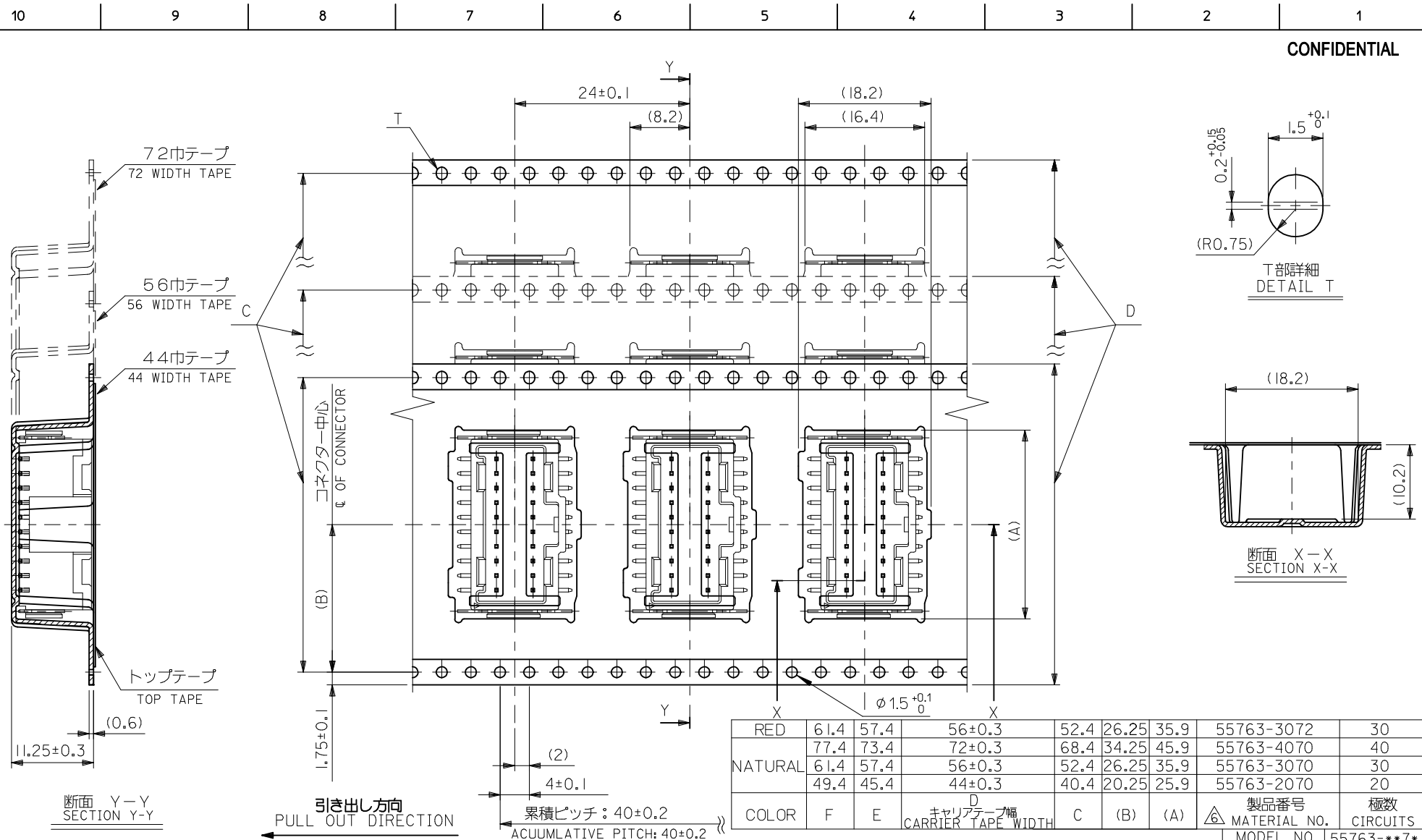
7. 本製品は 55763-\*\*\*9\* の鉛フリー品である。  
THIS PRODUCT IS LEAD FREE OF 55763-\*\*\*9\*.

MODEL NO. 55763-\*\*\*7\*

8. 本製品は乾燥剤入り、ハイバリア梱包仕様である。  
開梱後の保管条件に注意して下さい。(PS-51242-002参照)  
HIGH BARRIER PACKAGING INCLUDING DESICCANT.  
NOTE THE CONDITION OF THE OPEN PACKAGE.  
(REFER TO PS-51242-002)

REVISED EC NO: J2009-2113 DRWN:TKON 2009/06/16 CHKD:HATSUMOTO 2009/06/16 APPR:NIKIITA 2009/06/17	DESCRIPTION	GENERAL TOLERANCES (UNLESS SPECIFIED)		DIMENSION STYLE MM ONLY		SCALE ---	DESIGN UNITS METRIC	THIRD ANGLE PROJECTION	
		10 UNDER	±0.2	DRAWN BY M. NAGATA	DATE 2004/02/10	TITLE 2.0MM W-TO-B DUAL CONN ASS'Y EMBSTP PKG -LEAD FREE- HIGH BARRIER			
		10 OVER 30 UNDER	±0.25	CHECKED BY K. TOJO	DATE 2004/02/10	MOLEX INCORPORATED			
		30 OVER	±0.3	APPROVED BY M. SASAO	DATE 2004/02/10				
		ANGULAR ±3 °		MATERIAL NO. SEE SHEET 2		DOCUMENT NO. SD-55763-007		SHEET NO. 1 OF 2	
		DRAFT WHERE APPLICABLE MUST REMAIN WITHIN DIMENSIONS		SIZE A3 THIS DRAWING CONTAINS INFORMATION THAT IS PROPRIETARY TO MOLEX INCORPORATED AND SHOULD NOT BE USED WITHOUT WRITTEN PERMISSION					

CONFIDENTIAL



RED	61.4	57.4	56±0.3	52.4	26.25	35.9	55763-3072	30
NATURAL	77.4	73.4	72±0.3	68.4	34.25	45.9	55763-4070	40
NATURAL	61.4	57.4	56±0.3	52.4	26.25	35.9	55763-3070	30
NATURAL	49.4	45.4	44±0.3	40.4	20.25	25.9	55763-2070	20
COLOR	F	E	キャリアテープ幅 CARRIER TAPE WIDTH	C	(B)	(A)	製品番号 MATERIAL NO.	極数 CIRCUITS
							MODEL NO.   55763-***7*	

REVISED EC NO: J2009-2113 DRWN:TKON 2009/06/16 CHKD:HMATSUMOTO 2009/06/16 APPR:NIKITA 2009/06/17	GENERAL TOLERANCES (UNLESS SPECIFIED)		DIMENSION STYLE MM ONLY		SCALE 2:1	DESIGN UNITS METRIC	THIRD ANGLE PROJECTION	
	10 UNDER	±0.2	DRAWN BY M. NAGATA		DATE 2004/02/10		TITLE 2.0MM W-TO-B DUAL CONN ASS'Y EMBSTP PKG -LEAD FREE-	
	10 OVER 30 UNDER	±0.25	CHECKED BY K. TOJO		DATE 2004/02/10		MOLEX INCORPORATED	
	30 OVER	±0.3	APPROVED BY M. SASAO		DATE 2004/02/10		DOCUMENT NO. SD-55763-007	SHEET NO. 2 OF 2
REV	DESCRIPTION	ANGULAR ±3 °	MATERIAL NO. SEE TABLE		THIS DRAWING CONTAINS INFORMATION THAT IS PROPRIETARY TO MOLEX INCORPORATED AND SHOULD NOT BE USED WITHOUT WRITTEN PERMISSION			
		DRAFT WHERE APPLICABLE MUST REMAIN WITHIN DIMENSIONS						