

PLEASE CHECK WWW.MOLEX.COM FOR LATEST PART INFORMATION

Part Number: [0945504005](#)
Status: **Active**
Overview: [rast 5 connector system](#)
Description: 5.00mm (.197") Pitch, Rast 5, PA Polyamide (Nylon) 6/6, UL 94V-2, 5 Circuits, Natural, Glow Wire Compatible

Documents:

[3D Model](#) [Product Specification PS-94550-001 \(PDF\)](#)
[Drawing \(PDF\)](#) [RoHS Certificate of Compliance \(PDF\)](#)

General

Product Family Crimp Housings
 Series [94550](#)
 Overview [rast 5 connector system](#)
 Product Name RAST 5

Physical

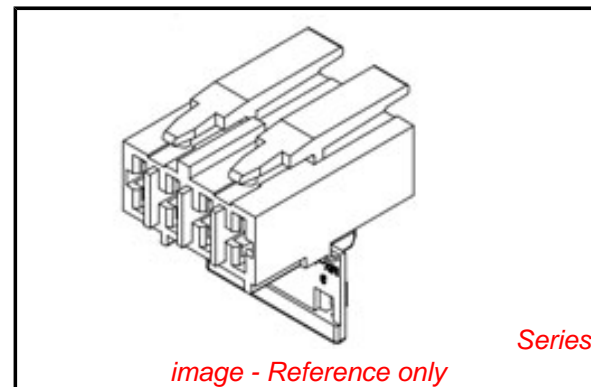
Breakaway No
 Circuits (maximum) 5
 Color - Resin Natural
 Gender Female
 Glow-Wire Compliant Yes
 Lock to Mating Part Yes
 Material - Resin Nylon
 Number of Rows 1
 Packaging Type Bag
 Panel Mount No
 Pitch - Mating Interface (in) 0.197 In
 Pitch - Mating Interface (mm) 5.00 mm
 Pitch - Term. Interface (in) 0.197 In
 Pitch - Term. Interface (mm) 5.00 mm
 Polarized to Mating Part Yes
 Ports 1
 Stackable No
 Temperature Range - Operating -40°C to +85°C

Material Info

Old Part Number 094550-9005

Reference - Drawing Numbers

Product Specification PS-94550-001
 Sales Drawing SD-94550-004
 Test Summary TS-94550-001



EU RoHS

**ELV and RoHS
 Compliant**
**REACH SVHC
 Not Reviewed**
**Halogen-Free
 Status
 Not Reviewed**

China RoHS



**Need more information on product
 environmental compliance?**

Email productcompliance@molex.com
 For a multiple part number RoHS Certificate of Compliance, [click here](#)

Please visit the [Contact Us](#) section for any non-product compliance questions.

Search Parts in this Series

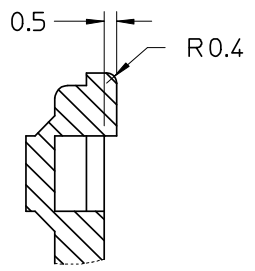
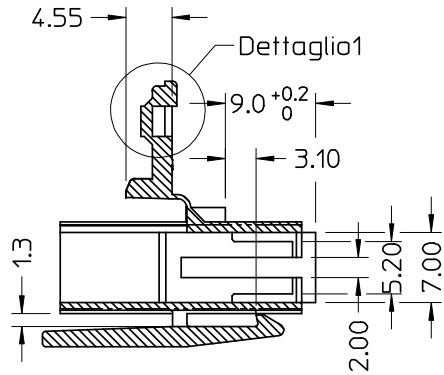
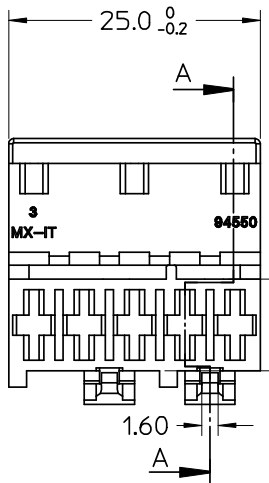
[94550Series](#)

Mates With

Rast 5 Headers, [90858](#) Vertical Header, [90879](#) Right Angle Header

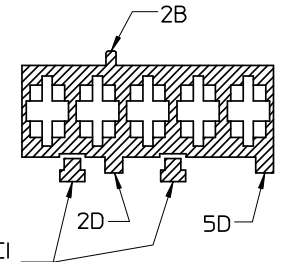
Use With

[94518](#) Crimp Terminal, [94549](#) Crimp Terminal

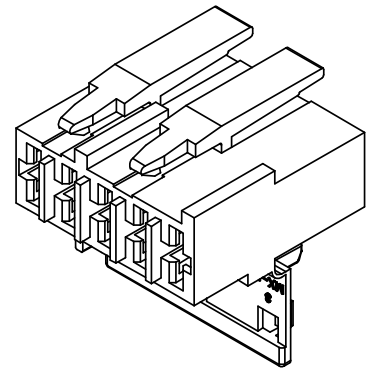


Dettaglio1
SCALA 5:1

CONFIGURAZIONE POLARIZZAZIONI
POLARIZATION CONFIGURATION

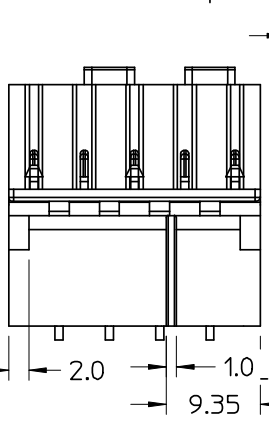


SEZ: C-C

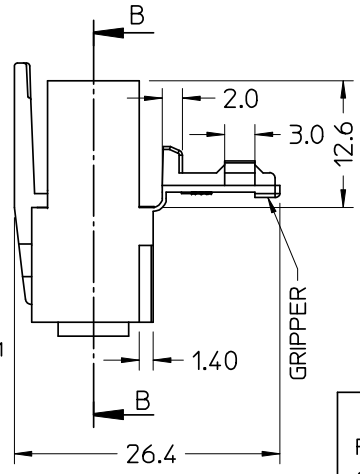


- NOTE:
- USATO CON TERMINALE 94518-0XXX E 94549-0XXX
 - SPECIFICA DI RIFERIMENTO PER IL CONNETTORE PS-94550-001
 - PER CARATTERISTICHE DI CRIMPATURA RIF. SD-94518-005 E SD-94549-001
 - FORZA DI DISACCOPIAMENTO CONNETTORE (TRAZIONANDO DAI CAVI SENZA AZIONARE L'AGGANCI): 60 N MIN.
 - SPESSORE MIN. PARETI CONNETTORE 0.40 mm.

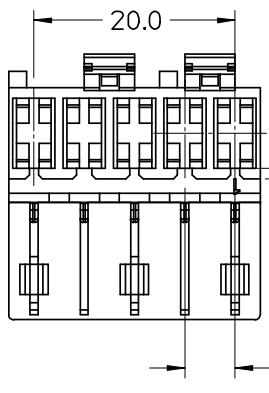
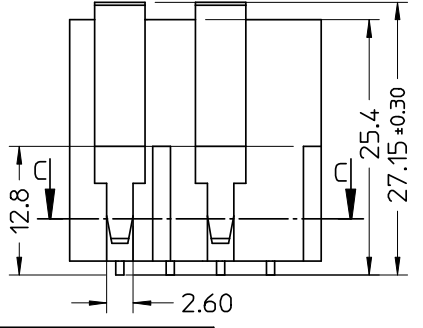
- NOTE:
- USED WITH TERMINALS 94518-0XXX AND 94549-0XXX
 - REFER TO PS-94550-001 FOR CONNECTOR SPECIFICATION
 - REFER TO SD-94518-005 AND SD-94549-001 FOR CRIMPING CHARACTERISTICS
 - CONNECTOR DISENGAGEMENT FORCE (PULLING BY THE WIRES, WITHOUT ACTUATING THE LATCH): 60 N MIN.
 - MINIMUM CONNECTOR WALL THICKNESS 0.40 mm.
- CONFEZIONE: Box da 1300 Pz.
PACKAGING: 1300 pcs in carton box



SEZ: B-B



* AGENCY RECOGNIZATIONS
CSA (file LR19980)
UL (file E-29179)



SPQ =1300

Std. Descr: "HSG W/SEC LOCK AND EXT LATCHES 5 CKT _____ COLOR"

P/N	MATERIAL/COLOR
*94550-9005	NYLON 6.6 V0 NATURAL
94550-4005	NYLON 6.6 GWT 750 °C sec.IEC 60335-1 TEST METHOD IEC 60695-2-11 NATURAL

EC NO: Z2006-0056 DRWN:FGOTTARD2005/10/14 CHKD:RSANDANI2005/10/14 APPR:GZUIN 2005/10/17	QUALITY SYMBOLS	GENERAL TOLERANCES (UNLESS SPECIFIED)	SCALE 2:1	DESIGN UNITS METRIC	FIRST ANGLE PROJECTION	REVISE ON CAD ONLY	
	▲ ±0 ▽ ±0	mm	INCH	DIMENSION STYLE MM ONLY		TITLE HSG 5 CKT WITH SEC.LOCK AND EXTERNAL LATCH	
		4 PLACES ± --- ± ---		DRAWN BY DATE			
		3 PLACES ± --- ± ---		FGOTTARD 2002/06/27			
	2 PLACES ± 0.10 ± ---		CHECKED BY DATE		MOLEX MOLEX INCORPORATED		
	1 PLACE ± 0.2 ± ---		MTESTAGU 2002/06/27				
	ANGULAR ± 2 °		APPROVED BY DATE		MATERIAL NO.	DOCUMENT NO.	SHEET NO.
	DRAFT WHERE APPLICABLE		GZUIN 2002/06/27		94550-9005	SD-94550-004	1 OF 1
	MUST REMAIN WITHIN DIMENSIONS		THIS DRAWING CONTAINS INFORMATION THAT IS PROPRIETARY TO MOLEX INCORPORATED AND SHOULD NOT BE USED WITHOUT WRITTEN PERMISSION				