

PRODUCT SPECIFICATION

DATE:12/17/2012

cosmo ELECTRONICS CORPORATION	Photocoupler: KP1510H	No.62P32006	Rev
		SHEET 1 OF 9	2

High Noise Immunity, 2.5A Output Current, Gate Drive Optocoupler

● Feature:

- 1: High noise immunity characterized by 25kV/μs minimum common mode rejection(CMR)at VCM=1500V
- 2: 2.5A maximum peak output current
- 3: ICC = 5mA maximum supply current
- 4: Wide supply voltage range from 15V to 30V
- 5: Fast power switching application
 - 500ns max. propagation delay
 - 100ns min. PWD protection scheme
- 6: Under Voltage Lock-Out (UVLO) with hysteresis
- 7: Industrial temperature range: -30°C to 115°C
- 8: Agency Approvals
 - UL UL1577 / CUL C22.2 No.1 & NTC No.5
File No. E169586
 - VDE EN 60747-5-2
File No. 40020973

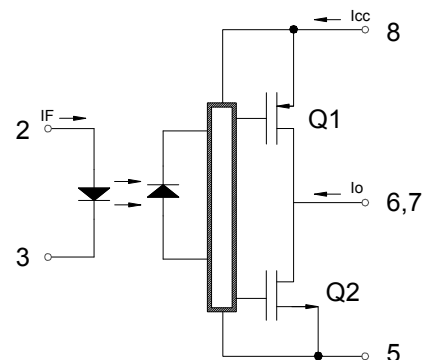
● Application

1. Industrial inverters
2. Switch mode power supply
3. AC/Brushless DC motor drives
4. IGBT/Power MOSFET gate drive

● Truth Table

LED	OUTPUT	Q1	Q2
ON	HIGH LEVEL	ON	OFF
OFF	LOW LEVEL	OFF	ON

* The use of a 0.1μF bypass capacitor must be connected between pins 8 and 5 is recommended.

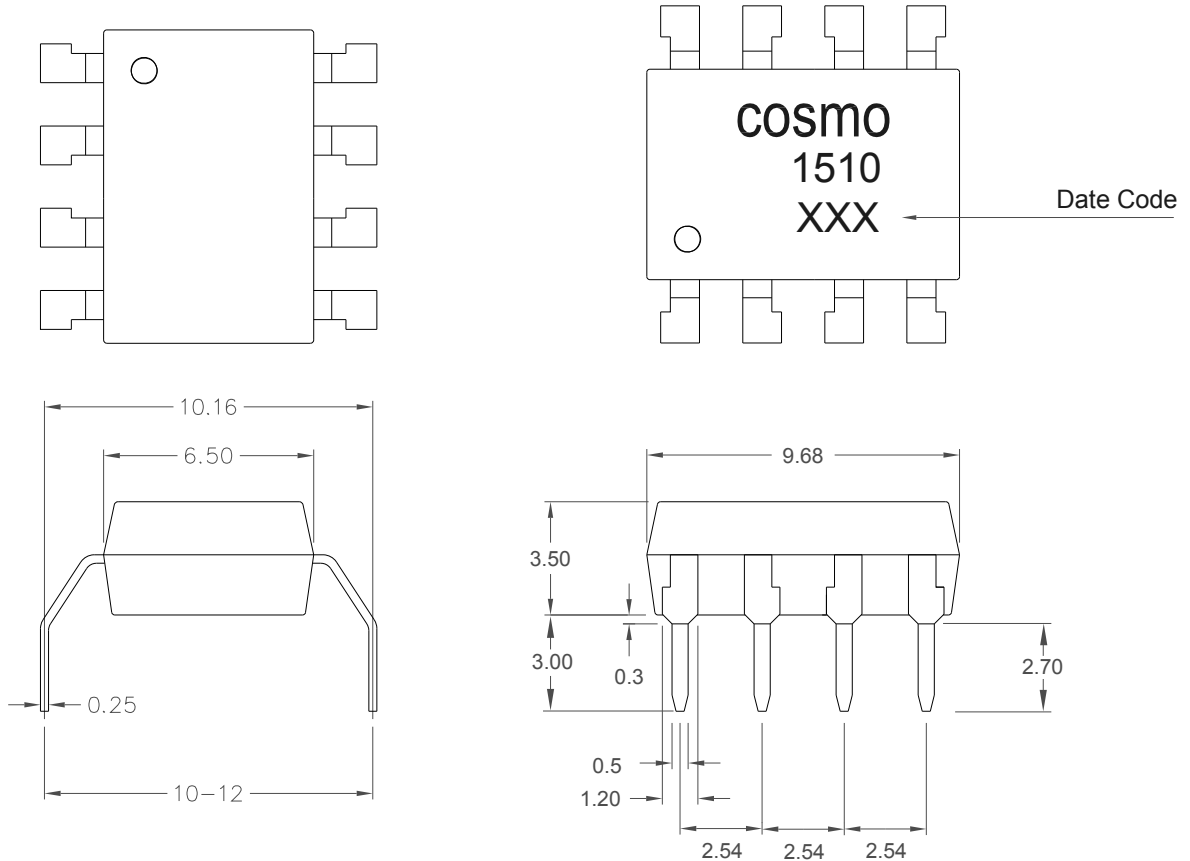


PRODUCT SPECIFICATION

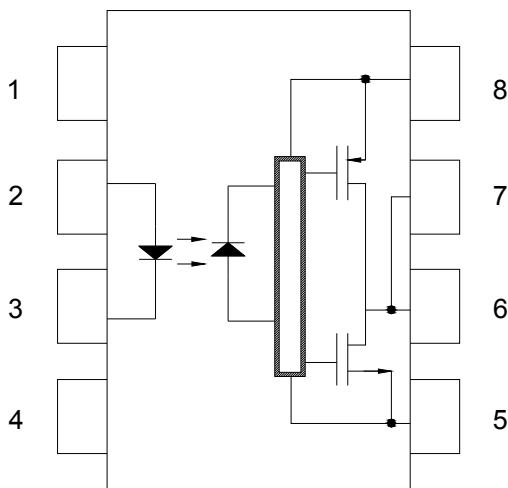
DATE:12/17/2012

cosmo ELECTRONICS CORPORATION	Photocoupler: KP1510H	No.62P32006	Rev
		SHEET 2 OF 9	2

1. Output Dimensions : Unit (mm)




2. Top View:



Pin 1:	N.C.
Pin 2:	Anode
Pin 3:	Cathode
Pin 4:	N.C.
Pin 5:	GND
Pin 6:	Vo (Voltage Output)
Pin 7:	Vo (Voltage Output)
Pin 8:	Vcc

PRODUCT SPECIFICATION

DATE:12/17/2012

	Photocoupler: KP1510H	No.62P32006	Rev
		SHEET 3 OF 9	2

Absolute Maximum Ratings (Ta = 25°C)

Parameter	Symbol	Rating	Unit
Storage Temperature	T _{STG}	-55 to +125	°C
Operating Temperature	T _{OPR}	-30 to +115	°C
Junction Temperature	T _J	-30 to +125	°C
Lead Wave Solder Temperature	T _{SOL}	260 for 10 SEC	°C
Average Input Current	I _{F(AVG)}	20	mA
Peak Transient Forward Current ⁽¹⁰⁾	I _{F(PEAK)}	1	A
Operating Frequency ⁽¹¹⁾	f	50	KHz
Reverse Input Voltage	V _R	5	V
Peak Output Current ⁽¹⁾	I _{O(PEAK)}	2.5	A
Supply Voltage	V _{CC} -V _{EE} T _A ≥ 90°C	0 to 35	V
		0 to 30	
Peak Output Voltage	V _{O(PEAK)}	0 to V _{CC}	V
Input Signal Rise and Fall Time	t _{R(IN)} - t _{F(IN)}	500	ns
Input Power Dissipation ⁽²⁾⁽⁴⁾	PD _I	45	mW
Output Power Dissipation ⁽³⁾⁽⁴⁾	PD _O	250	mW

Recommended Operating Conditions


Parameter	Symbol	Rating	Unit
Ambient Operating Temperature	T _A	-30 to +115	°C
Power Supply	V _{CC} -V _{EE}	15 to 30	V
Input Current (ON)	I _{F(ON)}	7 to 16	mA
Input Voltage (OFF)	V _{F(OFF)}	-3.6 to 0.8	V

Isolation Characteristics

Parameter	Symbol	Rating	Min.	Typ.	Max.	Unit
Input-Output Isolation Voltage	V _{ISO}	V _A =25°C, R.H.<50%, t=1.0min, I ₁₋₀ ≤ 10uA, 50Hz ⁽⁵⁾⁽⁶⁾	5000			V _{RMS}
Isolation Resistance	R _{ISO}	V ₁₋₀ =500V ⁽⁵⁾			10 ¹¹	Ω
Isolation Capacitance	C _{ISO}	V ₁₋₀ =0V, Freq=1.0MHz ⁽⁵⁾			1	pF

PRODUCT SPECIFICATION

DATE:12/17/2012


	Photocoupler: <h2 style="text-align: center;">KP1510H</h2>	No.62P32006	Rev
		SHEET 4 OF 9	2

■ **Electrical Characteristics (Ta = 25°C, unless otherwise specified)**

Parameter		Symbol	Test Condition	Min.	Typ.	Max.	Unit
Input Forward Voltage		V_F	$I_F=10\text{mA}$	1.2	1.5	1.8	V
Temperature Coefficient of Forward Voltage		$\Delta(V_F/\Delta T_A)$			-1.8		mV/°C
Input Reverse Breakdown Voltage		BV_R	$I_R=10\mu\text{A}$	5			V
Input capacitance		C_{IN}	$f=1\text{MHz}, V=0$		60		pF
Output current (*A)	"H" level ⁽¹⁾	I_{OH}	$V_O = V_{CC}-2.5\text{V}$	0.5	1.5		A
			$V_O = V_{CC}-4\text{V}$	2.0			
	"L" level ⁽¹⁾	I_{OL}	$V_O = V_{EE}+2.5\text{V}$	0.5	2.0		A
			$V_O = V_{EE}+4\text{V}$	2.0			
Output voltage	"H" level	V_{OH}	$I_F = 10\text{mA}, I_O = -100\text{mA}$	$V_{CC}-4\text{V}$	$V_{CC}-3\text{V}$		V
	"L" level	V_{OL}	$I_F = 0\text{mA}, I_O = 100\text{mA}$		$V_{EE}+0.1\text{V}$	$V_{EE}+0.5\text{V}$	
Supply current	"H" level	I_{CCH}	$V_O = \text{Open}, I_F = 7 \text{ to } 16\text{mA}$		2.5	5.0	mA
	"L" level	I_{CCL}	$V_O = \text{Open}, V_F = -3.0 \text{ to } 0.8\text{V}$		2.5	5.0	
Threshold input current	"Output L→H"	I_{FLH}	$I_O = 0\text{mA}, V_O > 5\text{V}$		2.3	5.0	mA
Threshold input voltage	"Output H→L"	V_{FHL}	$I_O = 0\text{mA}, V_O < 5\text{V}$	0.7			V
Under Voltage Lockout Threshold		V_{UVLO+}	$I_F = 10\text{mA}, V_O > 5\text{V}$	11.0	12.3	13.5	V
		V_{UVLO-}	$I_F = 10\text{mA}, V_O < 5\text{V}$	9.0	10.7	12.0	
Under Voltage Lockout Threshold Hysteresis		$UVLO_{HYS}$			1.6		V

PRODUCT SPECIFICATION

DATE:12/17/2012

	Photocoupler: <h2>KP1510H</h2>	No.62P32006	Rev
		SHEET 5 OF 9	2

Switching Characteristics (Ta = 25°C, unless otherwise specified)

Parameter	Symbol	Test Condition	Min.	Typ.	Max.	Unit				
Propagation delay time	"L→H"	IF=7mA to 16mA Rg=10Ω, Cg=10nF F=10KHz, Duty Cycle=50%		0.3	0.5	us				
	"H→L"						t _{pLH}	0.1	0.3	0.5
Pulse Width Distortion t _{pHL} - t _{pLH}	PWD								0.3	us
Propagation Delay Difference Between Any Two Parts or Channels (t _{pHL} - t _{pLH}) ⁽⁷⁾	PDD (Skew)							-0.35	0.35	us
Output rise time (10%-90%)	t _r								0.1	us
Output fall time (90%-10%)	t _f								0.1	us
UVLO Turn On Delay	T _{UVLO ON}						I _F =10mA, V _O >5V		0.8	
UVLO Turn Off Delay	T _{UVLO OFF}	I _F =10mA, V _O <5V		0.6		us				
Common mode transient immunity at high level output	C _{MH}	T _A =25°C, V _{CC} =30V, I _F =10Ma to 16mA V _{CM} =1500V ⁽⁸⁾	25	35		KV / μs				
Common mode transient immunity at low level output	C _{ML}	T _A =25°C, V _{CC} =30V, V _F =0V V _{CM} =1500V ⁽⁹⁾	25	35		KV / μs				

Notes:

- Maximum pulse width = 10μs, maximum duty cycle = 1.1%
- Derate linearly above 87°C, free air temperature at a rate of 0.77mW/°C
- No derating required across temperature range.
- Functional operation under these conditions is not implied. Permanent damage may occur if the device is subjected to conditions outside these ratings.
- Device is considered a two terminal device: Pins 2 and 3 are shorted together and Pins 5, 6, 7 and 8 are shorted together.
- 5,000 V_{RMS} for 1 minute duration is equivalent to 6,000 V_{ACRMS} for 1 second duration.
- The difference between t_{pHL} and t_{pLH} between any two KP1510 parts under same test conditions.
- Common mode transient immunity at output high is the maximum tolerable negative dV_{cm}/dt on the trailing edge of the common mode impulse signal, V_{cm}, to assure that the output will remain high (i.e. V_O > 15.0V).
- Common mode transient immunity at output low is the maximum tolerable positive dV_{cm}/dt on the leading edge of the common pulse signal, V_{cm}, to assure that the output will remain low (i.e. V_O < 1.0V).
- Pulse Width, Pw δ 1μs, 300pps
- Exponential Waveform, I_{O(PEAK)} ≤ | 2.5A | (≤ 0.3μs)

PRODUCT SPECIFICATION

DATE:12/17/2012

cosmo ELECTRONICS CORPORATION	Photocoupler: KP1510H	No.62P32006	Rev
		SHEET 6 OF 9	2

Fig.1 Forward Current vs. Forward Voltage

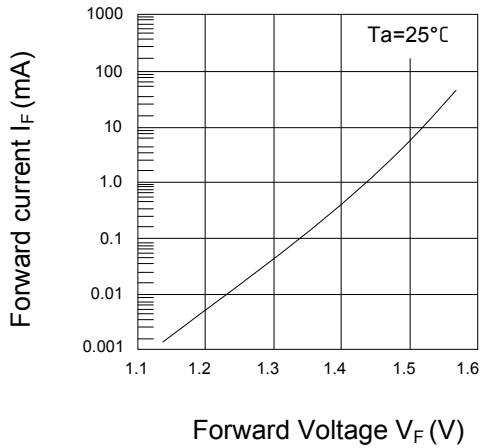


Fig.2 Output Voltage vs. Forward Current

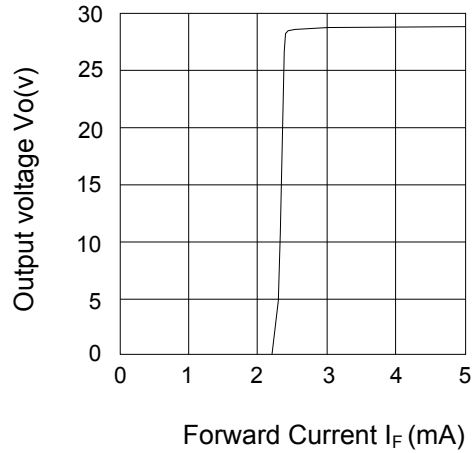


Fig.3 Output High Current vs. Ambient Temperature

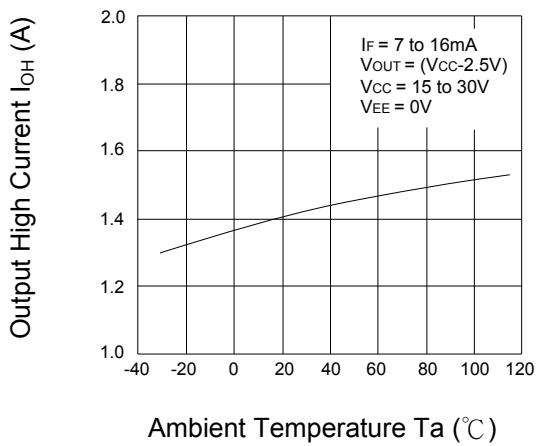


Fig.4 Output High Voltage vs. Output High Current

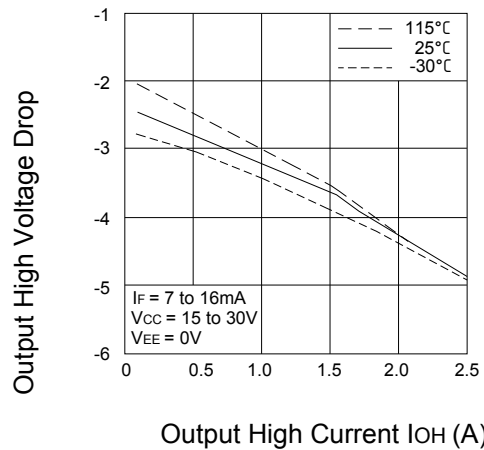


Fig.5 Output Low Current vs. Ambient Temperature

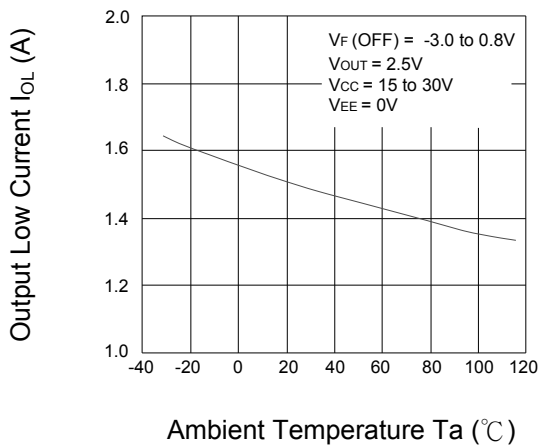
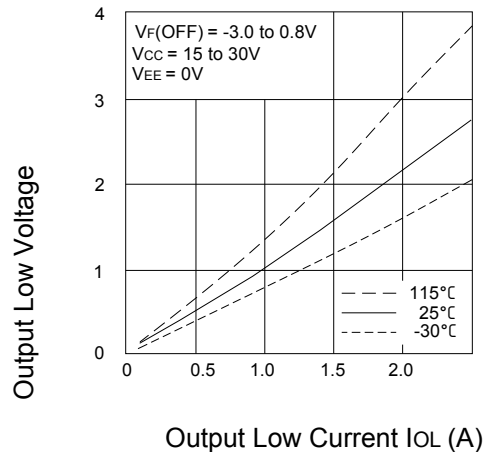


Fig.6 Output Low Voltage vs. Output Low Current



PRODUCT SPECIFICATION

DATE:12/17/2012

cosmo ELECTRONICS CORPORATION	Photocoupler: KP1510H	No.62P32006	Rev
		SHEET 7 OF 9	2

Fig.7 Propagation Delay vs. Forward Current

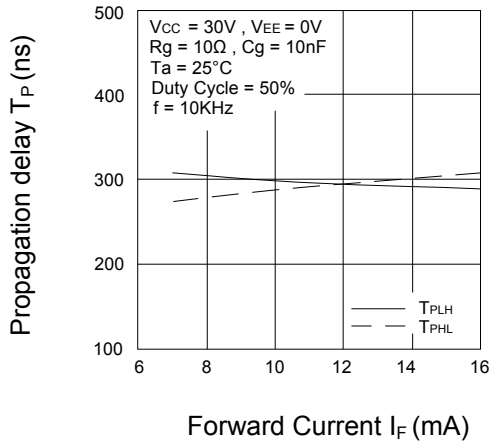


Fig.8 Propagation Delay vs. Ambient Temperature

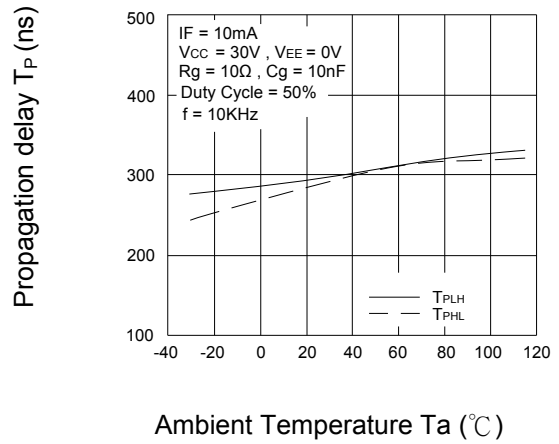


Fig.9 Propagation Delay vs. Series Load Resistance

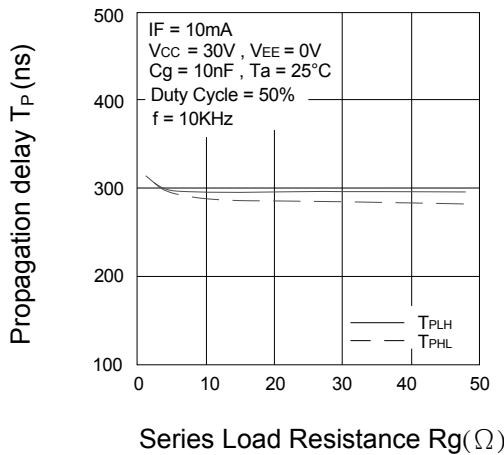
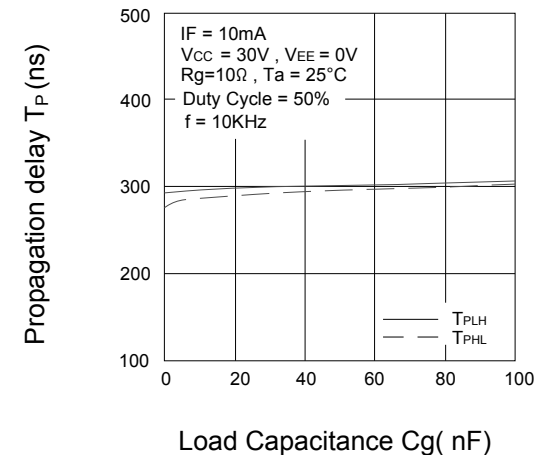


Fig.10 Propagation Delay vs. Load Capacitance



■ Test Circuit:

Fig.1 : Top View

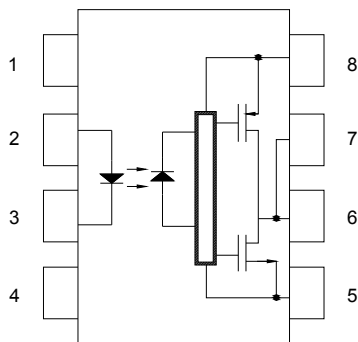
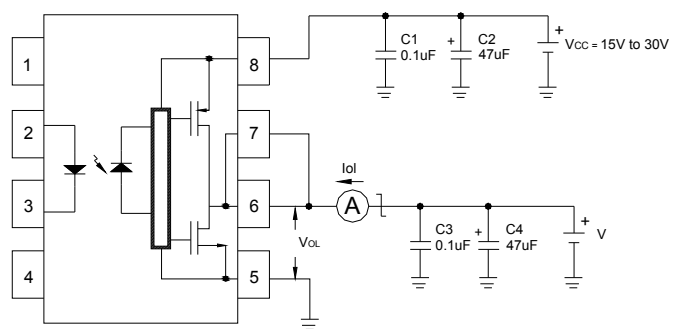


Fig.2 : IOPL Measure



PRODUCT SPECIFICATION

DATE:12/17/2012

cosmo ELECTRONICS CORPORATION	Photocoupler: KP1510H	No.62P32006	Rev
		SHEET 8 OF 9	2

Fig.3: I_{OH} Measure

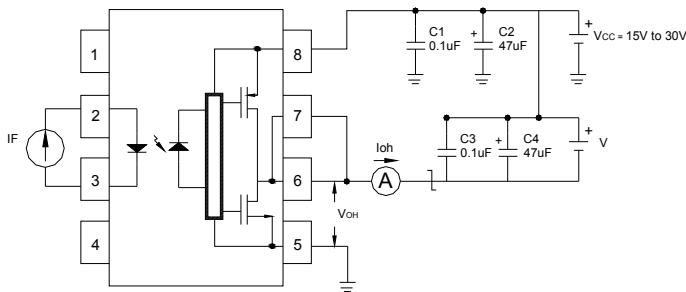


Fig.4: V_{OL} Measure

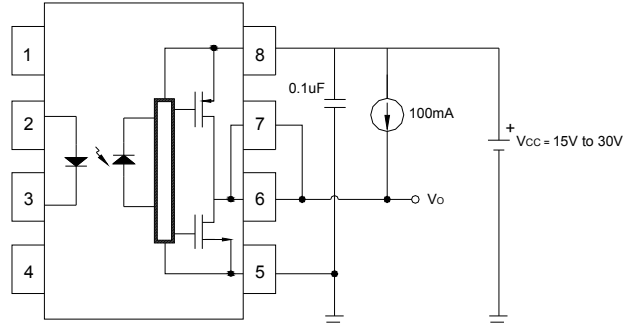


Fig.5: V_{OH} Measure

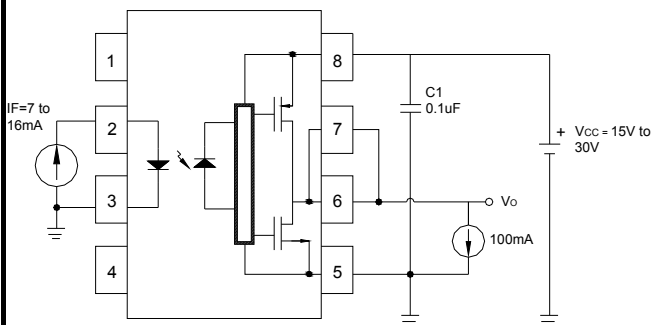


Fig.6: t_{pLH}, t_{pHL}, t_r, t_f Measure.

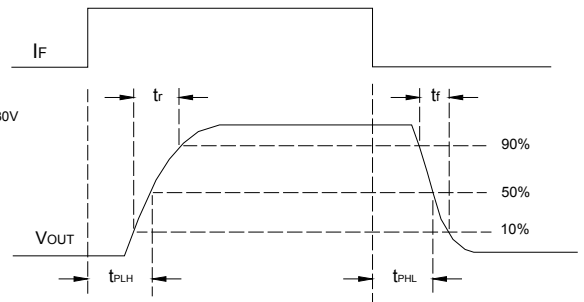
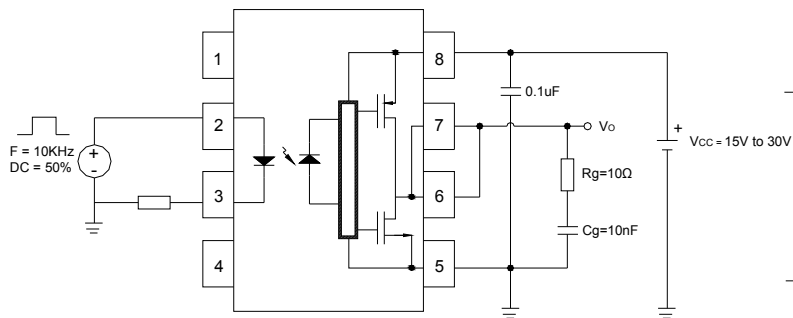
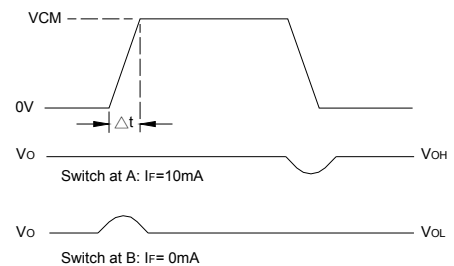
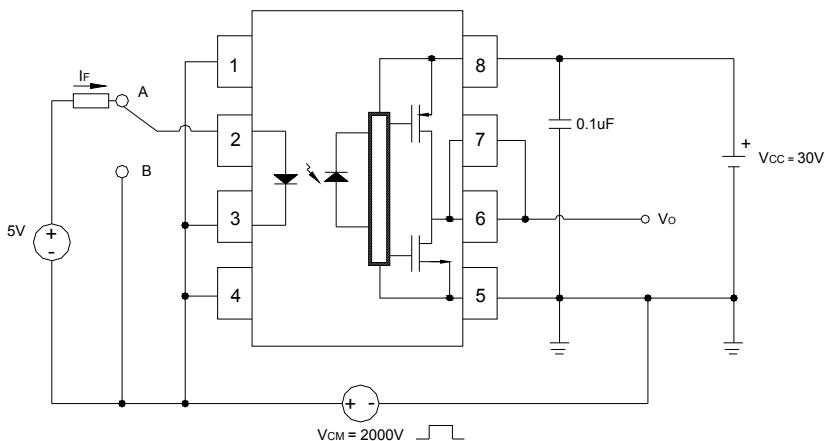


Fig.7: CMR . Measure.



PRODUCT SPECIFICATION

DATE:12/17/2012

cosmo ELECTRONICS CORPORATION	Photocoupler: KP1510H	No.62P32006	Rev
		SHEET 9 OF 9	2

NOTICE

The information contained in this document is a general product description and is subject to change without notice. Please contact cosmo in order to obtain the latest device data sheets before using any cosmo device. Cosmo does not assume any responsibility for use of any circuitry described. No circuit patent licenses are implied. This publication is the property of cosmo. No part of this publication may be reproduced or copied in any form or by any means, or transferred to any third party without the prior written consent of cosmo Electronics Corporation.

The devices listed in this document are designed for general applications only in electronic equipment. No devices shall be deployed which require higher level of reliability such as:

- Medical and other life support equipments.
- Space application.
- Telecommunication equipment (trunk lines).
- Nuclear power control equipment.

Unless it received prior written approval from cosmo. cosmo takes no responsibility for damages arise form the improper usage of our device. Please contact cosmo for further information regarding the above notices