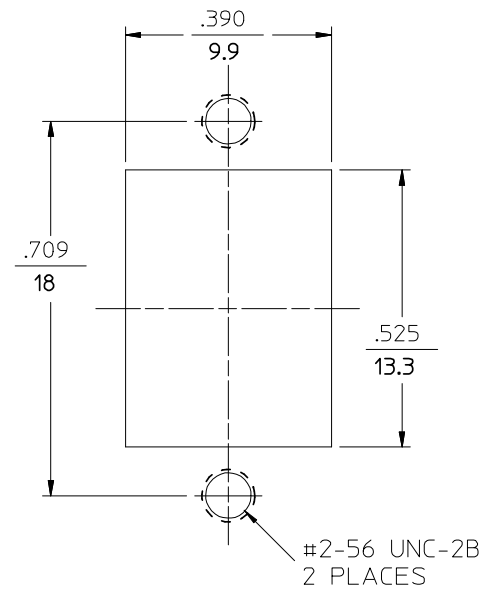
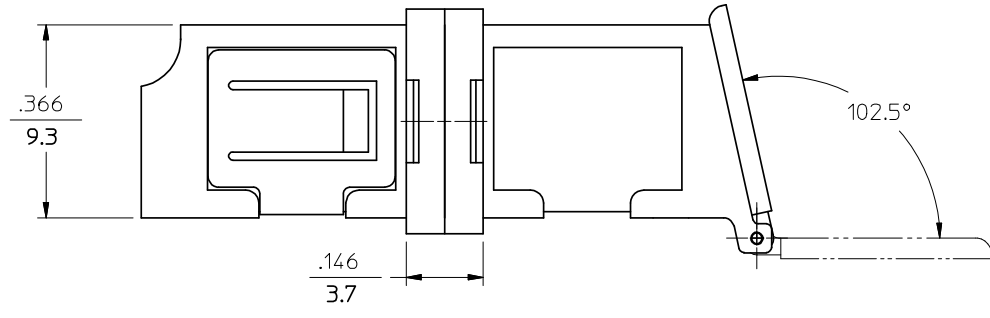
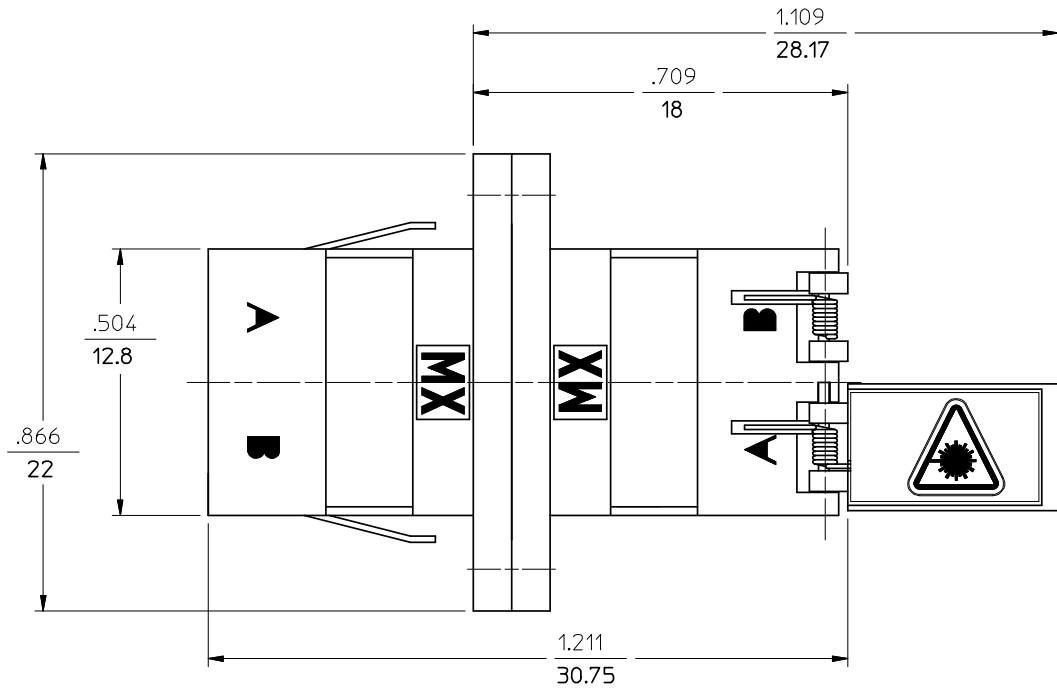
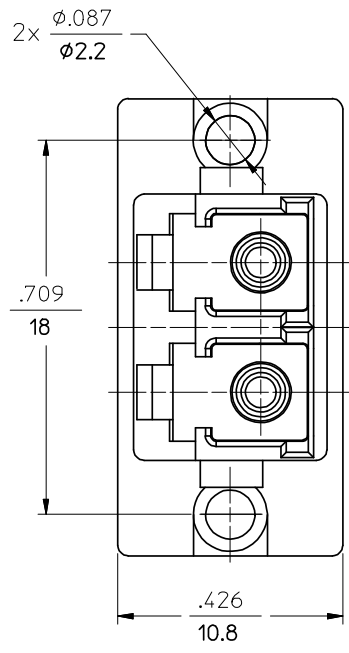
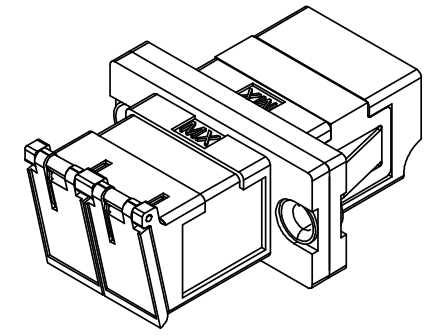


10	9
LC ADAPTER ASSY. P/N	LC SLEEVE MATERIAL
106127-0590	PH. BRONZE
106127-1590	ZR



RECOMMENDED MOUNTING CUTOUT FOR .063 THICK PANEL



- NOTES:
1. ALL DIMENSIONS ARE FOR REFERENCE ONLY.
 2. DUST CAPS NOT SHOWN.
 3. ADAPTER TO BE PACKAGED IN TRAY.

ENTER DESCRIPTION EEC NO: MF2008-0344 DRWN:KPEVZNER CHKD: APPR: IGUMIN 2008/02/22 2008/02/22 2008/02/27	QUALITY SYMBOLS ▼=0 ∇=0	GENERAL TOLERANCES (UNLESS SPECIFIED)		DIMENSION STYLE		SCALE	DESIGN UNITS	THIRD ANGLE PROJECTION		
				IN/MM		4:1	INCH			
		4 PLACES	±---	±---	DRAWN BY	DATE	TITLE			
		3 PLACES	±---	±---	PGIBLIN	2005/10/05	METAL LC DUPLEX ADAPTER			
2 PLACES	±---	±---	CHECKED BY		DATE					
1 PLACE	±---	±---	APPROVED BY		DATE		MOLEX MOLEX INCORPORATED			
ANGULAR ±1/2°		DRAFT WHERE APPLICABLE MUST REMAIN WITHIN DIMENSIONS		MATERIAL NO.		DOCUMENT NO.		SHEET NO.		
				SEE TABLE		SD-106127-X590		1 OF 01		
				THIS DRAWING CONTAINS INFORMATION THAT IS PROPRIETARY TO MOLEX INCORPORATED AND SHOULD NOT BE USED WITHOUT WRITTEN PERMISSION						