

客户名称/CUSTOMER:

客户代码/CUSTOMER CODE:



承 认 书

PRODUCT SPECIFICATION Multi-Purpose LCD TV Control Board

产品名称/DESCRIPTION: MST182VG V5.0

客户型号/CUSTOMER MODEL: _____

承制方型号/MANUFACTURER MODEL: MST182VG V5.0

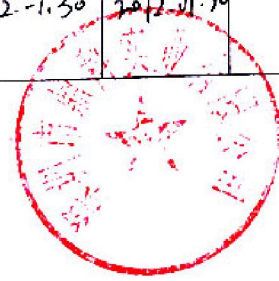
日期/DATE: 2012/1/30

客户确认/CUSTOMER APPROVED

采购部 PURCHING	品管部 QC	研发部 RD	签章

承制方确认/MANUFACTURER

拟制 DRAWING	审核 CHECKED	批准 RATIFY	签章
王洲洲 2012-1-30	陈重宇 2012-1-30	钟伟 2012-1-30	



承制方: 深圳市鼎科实业有限公司

MANUFACTURER: Shen Zhen Top-Tech Industrial CO.LTD

地址: 深圳市南山区高新技术产业园中区 M-8 栋西座 3 楼

ADDRESS: 3/F, West of M-8 Building, High-Tech Industrial Park Central, Nanshan Shenzhen

电话/TELEPHONE: 0755-26742425, 26740460

传真/FAX: 0755-26740494

邮编/POST CODE: 518057

网址/Web: www.top-tech.com.cn

CONTENTS

TITLE	PAGE
CONTENTS	page 1 of 9
RECORD OF REVISIONS	page 1 of 9
GENERAL DESCRIPTION	page 2 of 9
FUNCTION LAYOUT	page 2 of 9
FEATURES	page 3 of 9
INTERFACE DEFINITION	page 5 of 9
CONTROLLER DIMENSIONS	page 8 of 9
KEY & IR BOARD SYSTEM SCHEMATIC	page 8 of 9
OPERATION REQUIREMENT	page 9 of 9

RECORD OF REVISIONS

REVISION NO.	DATE	PAGE	DESCRIPTION

1. GENERAL DESCRIPTION

MST182VG V5.0 is a multi-purpose LCD controller, it is suitable for the Asia market. It is designed to support FULL HD LCD panel.

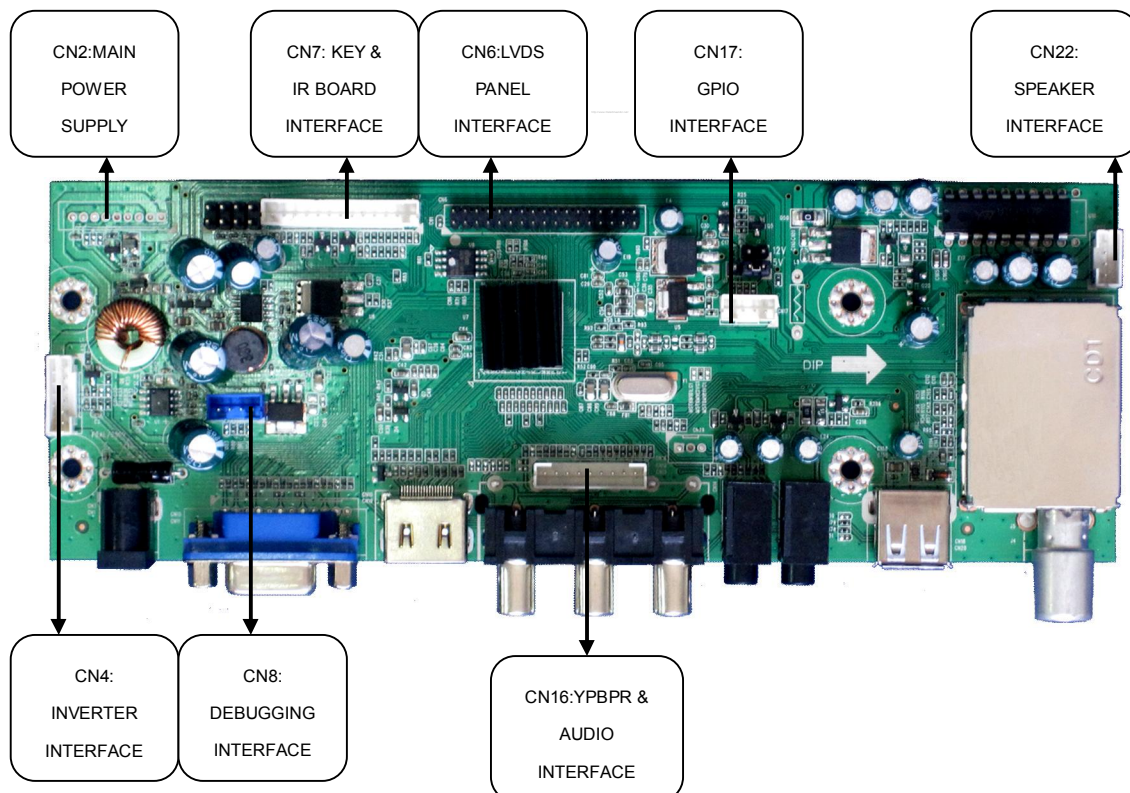
MST182VG V5.0 can support PC-RGB, HDMI/S-Video (Option), AV, USB, VGA, TV signal input. It can also support Earphone output.

Note: The specification of the board includes the description of all functions. Therefore, our clients can select the functions which they require to produce the board. But the specification can be introduced universally.

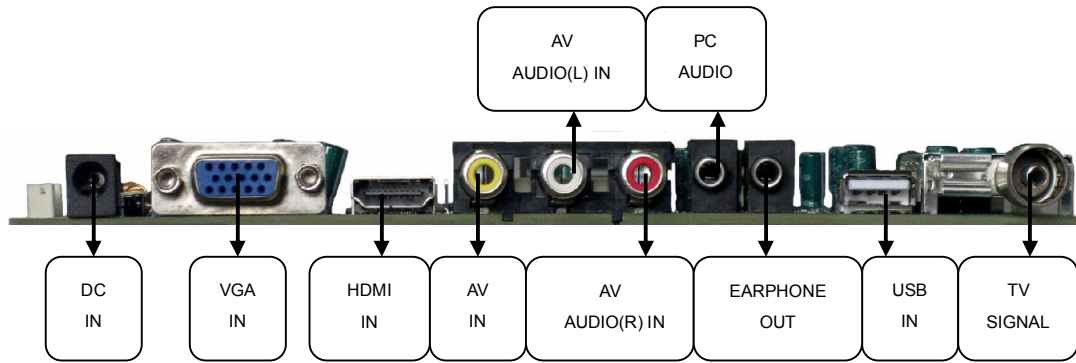
2. FUNCTION LAYOUT

The following all pictures are a reference only. Please take the actual objects as a standard.

Elevation of MST182VG V5.0



Side Elevation of MST182VG V5.0



3. FEATURES

Below you will find the detailed feature.

CHIPSET	MST6M182VG		
MARKET AREA	Asia		
OSD LANGUAGE	English, Chinese, (French, Spanish, Polish, Portuguese, Italian, German, Dutch, Russian)(Option)		
VIDEO INPUT	TV	VIDEO SYSTEM	PAL/SECAM, NTSC(Option)
		SOUND SYSTEM	BG ,DK ,I, M
		RECEIVE CHANNEL	ATV:200
	CVBS	1.0Vp-p +/-5%	
	YPbPr / YCbCr	480i、 480p、 576i、 576p、 720p、 1080i、 1080p	
	PC-RGB	Format	Up to 1920*1080@60HZ
Color		16bit, 24bit, 32bit	
HDMI	480i、 480p、 576i、 576p、 720p、 1080i、 1080p		
POWER	Build-in power supply	5V,5VS,12V or only 12V (Option)	
	To panel	3.3V,5V,12V	
	DC Adapter	12V Input	
	Manage	Low power consumable mode: standby ≤0.5W	
AUDIO INPUT	PC-RGB	YES	
	AV Audio Input	YES	
EXPANSION FUNCTION	USB	YES	
PANEL RESOLUTIONS	Support up to 10-bit dual LVDS FULL HD panel interface		
KEY FUNCTIONS	CH-, CH+, MENU, VOL-, VOL+, SOURCE, ON/OFF		
AUDIO OUTPUT	2*2 W @ 8Ω		
COMB FILTER	3D		
DE-INTERLACE	3D		
WEAK SIGNAL ENHANCEMENT	YES		

NOISE REDUCTION		3D	
NICAM/A2, TELETEXT,BTSC,CC,VCHIP		YES	
TERMINALS	Input	TV Input	1 IEC 75 Ω
		PC-RGB Input	1D-SUB 15PIN terminal blue color
		CVBS Input	1 RCA terminal yellow color
		HDMI Input	1HDMI terminal
		CVBS Audio Input	2RCA terminal white color, red color
		USB	1 USB terminal
	Output	To Panel	Double LVDS 34PIN/2.0 jack
		Earphone Out	1earphone terminal black color

USB MULTIMEDIA PLAYBACK FORMAT

MEDIA	FILE EXTENSION	
Picture	JPEG、BMP、PNG	.jpg、.bmp、.png
Movie	MPEG1、MPEG2、MPEG4、H264、RM、RMVB、MOV、MJPEG、VC1、Divx、FLV	.avi、.mpg、.dat、.vob、.div、.mov、.mkv、.rm、.rmvb、.mp4、.mjpeg、ts、.trp、.wmv、.asf、.flv
Music	WMA、MP3、M4A、AAC	.wma、.mp3、.m4a

FILE TYPE\THE RELEVANT PARAMETERS	RESOLUTION	COMPRESSION OPTION	SUPPORT BOUNDARIES
JPEG	15360*8640	Progressive JPEG	Resolution Only Support 1024*768
		Baseline ("standard")	support
		Baseline optimized	support
BMP	9600*6400	homochromatism	Support
		16color	Support
		256color	Support
		16bit	Support
		24bit	Support

		32bit	support
PNG	9600*6400	No interlacing	Support
		Interlaced	Resolution Only Support 1200*800

***Realize that only when you gain the copyright of the corresponding USB functions, can the above-mentioned USB functions be used.**

4. INTERFACE DEFINITION

CN2 (9PIN/2.0) MAIN POWER SUPPLY

NO.	SYMBOL	DESCRIPTION	ELECTRIC CHARACTER
1	12VA	+12V DC Power supply	2A+Panel Electric Current +electric Current of extended module
2	12VA		
3	GND	Ground	---
4	GND		
5	GND		
6	5VS	+5V DC Power standby	1A
7	ON/OFF	ON/OFF	---
8	5V	+5V DC Power supply	2A+Panel Electric Current + electric Current of extended module
9	5V		

CN4 (6PIN/2.0) INVERTER INTERFACE

NO.	SYMBOL	DESCRIPTION	ELECTRIC CHARACTER
1	GND	Ground	---
2	GND		
3	ADJUST	Brightness adjustment	0-5V adjustable
4	ON/OFF	Back-light ON/OFF control	5V , 1K ohm output impedance
5	12VA	+12V DC Power supply	INVERTER Power Supply
6	12VA	+12V DC Power supply	INVERTER Power Supply

CN7 (13PIN/2.0) KEY & IR BOARD INTERFACE

NO.	SYMBOL	DESCRIPTION
1	CH-	CH- key
2	CH+	CH+ Key
3	MENU	MENU Key
4	SOURCE	SOURCE Key
5	VOL-	VOL- Key

6	VOL+	VOL+ Key
7	GND	Ground
8	LED_G	Green indicator
9	LED_R	Red indicator
10	ON/OFF	ON/OFF key
11	GND	Ground
12	IR_IN	Remote receiver
13	IR_VCC	+5V DC power supply

CN6 (2*17PIN/2.0) LVDS PANEL INTERFACE

NO.	SYMBOL	DESCRIPTION
1	VDD	Power for panel
2	CT	mode pin for panel
3	VDD	Power for panel
4	GND	Ground
5	GND	
6	GND	
7	RX00-	LVDS ODD 0- Signal
8	RX00+	LVDS ODD 0+ Signal
9	RX01-	LVDS ODD 1- Signal
10	RX01+	LVDS ODD 1+ Signal
11	RX02-	LVDS ODD 2- Signal
12	RX02+	LVDS ODD 2+ Signal
13	GND	Ground
14	GND	
15	RXOC-	LVDS ODD Clock- Signal
16	RXOC+	LVDS ODD Clock+ Signal
17	RX03-	LVDS ODD 3- Signal
18	RX03+	LVDS ODD 3+ Signal
19	RXE0-	LVDS EVEN 0- Signal
20	RXE0+	LVDS EVEN 0+ Signal
21	RXE1-	LVDS EVEN 1- Signal
22	RXE1+	LVDS EVEN 1+ Signal
23	RXE2-	LVDS EVEN 2- Signal
24	RXE2+	LVDS EVEN 2+ Signal
25	GND	Ground
26	GND	
27	RXEC-	LVDS EVEN Clock- Signal
28	RXEC+	LVDS EVEN Clock+ Signal
29	RXE3-	LVDS EVEN 3- Signal
30	RXE3+	LVDS EVEN 3+ Signal

31	RXE4-	LVDS EVEN 4- Signal
32	RXE4+	LVDS EVEN 4+ Signal
33	RXO4-	LVDS ODD 4- Signal
34	RXO4+	LVDS ODD 4+ Signal

CN8 (4PIN/2.0) DEBUGGING INTERFACE

NO.	SYMBOL	DESCRIPTION
1	GND	Ground
2	ISP_TXD	Transmit data
3	ISP_RXD	Receive data
4	5VS	+5V Power supply

CN16(9PIN/2.0) YPBPR & AUDIO INTERFACE

NO.	SYMBOL	DESCRIPTION
1	Y	Y Signal
2	GND	Ground
3	PB	PB Signal
4	GND	Ground
5	PR	PR Signal
6	GND	Ground
7	RIN	YPBPR Audio(right)
8	GND	Ground
9	LIN	YPBPR Audio(left)

CN17 (4PIN/2.0) GPIO INTERFACE

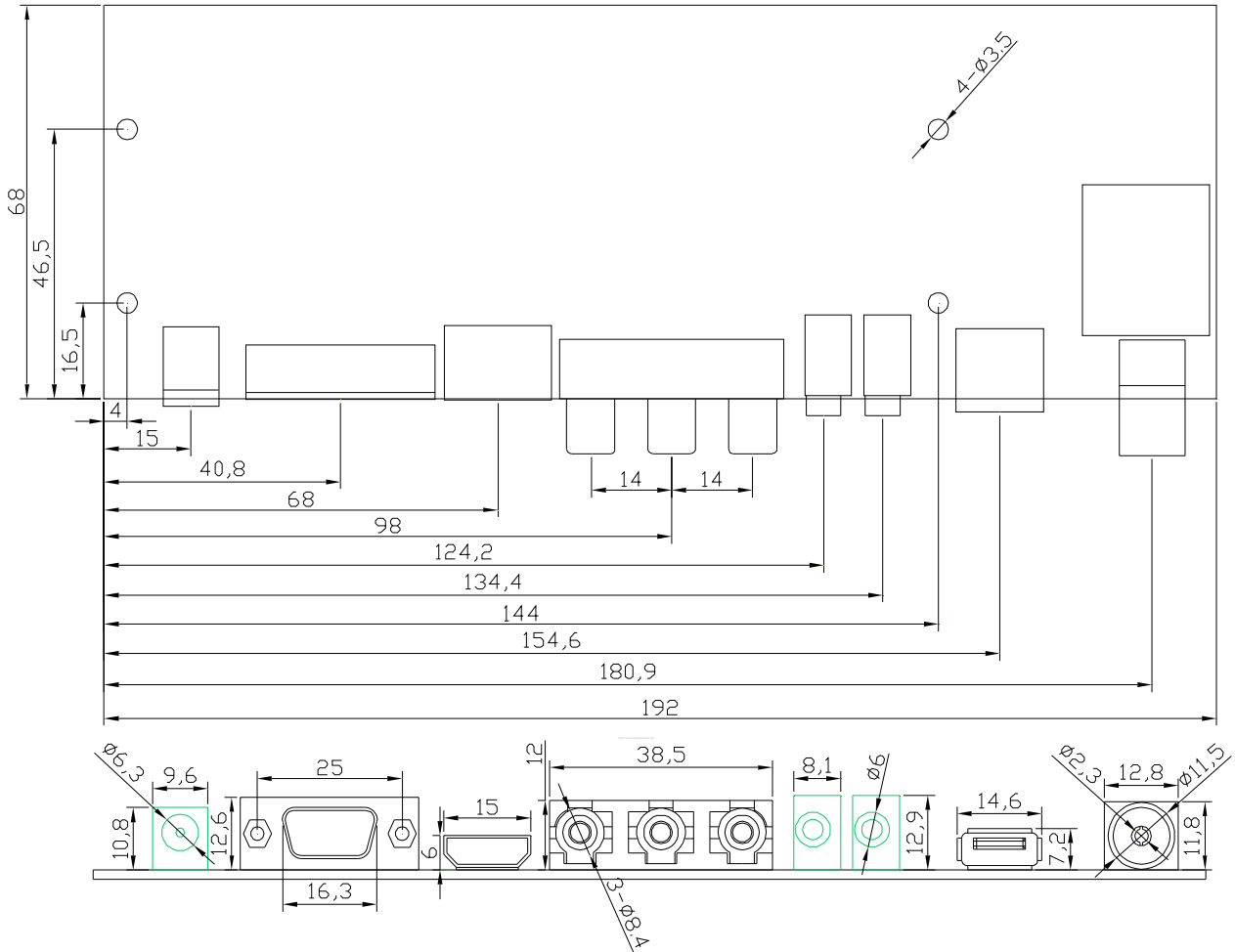
NO.	SYMBOL	DESCRIPTION
1	GND	Ground
2	DVD_TX	DVD Transmit data
3	DVD_RX	DVD Receive data
4	DVD_IR	DVD IR

CN22 (4PIN/2.0) SPEAKER INTERFACE

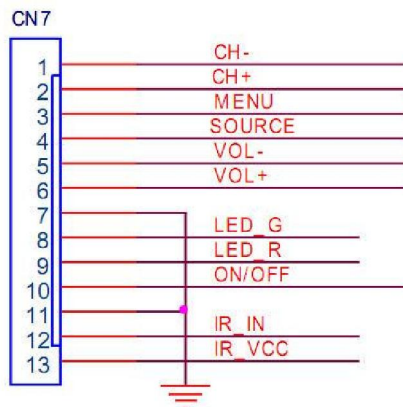
NO.	SYMBOL	DESCRIPTION
1	AMP_R	Right audio channel out
2	GND	Ground
3	GND	Ground
4	AMP_L	Left audio channel out

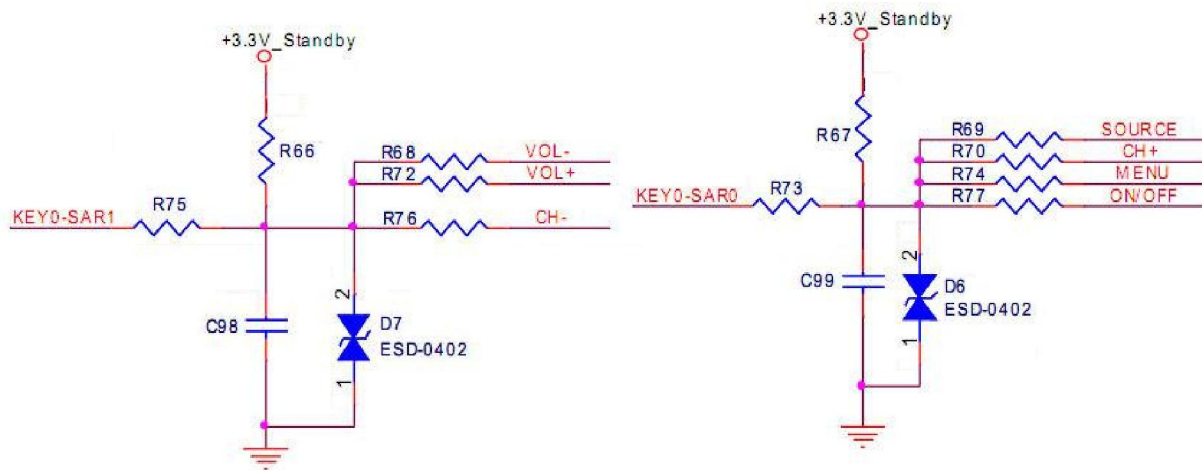
5. CONTROLLER DIMENSIONS

The dimension is identical to the actual objects. But maybe exist the slight error of measures about 1%. It is allowed in design.



6. KEY & IR BOARD SYSTEM SCHEMATIC





7. OPERATION REQUIREMENT

- Do not pressed and distorted.
- Keep away from static and water.
- Relative humidity : $\leq 80\%$
- Storage temperature: $-10 \sim +60^{\circ}\text{C}$
- Operation temperature: $0 \sim +40^{\circ}\text{C}$