



SC Male to SC Female Right Angle Adapter

TECHNICAL DATA SHEET

PE9405

SC Male to SC Female Right Angle Adapter

Configuration

Connector 1	SC Male
Impedance 1	50 Ohms
Connector 2	SC Female
Impedance 2	50 Ohms
Adapter Design	Standard
Body Style	Right Angle

Mechanical Specifications

Temperature

Operating Range, deg C	-65 to +165
------------------------	-------------

Size

Length, in [mm]	1.515 [38.48]
Width/Dia., in [mm]	0.78 [19.81]
Height, in [mm]	1.393 [35.38]

Connector 1

Type	SC Male
Inner Conductor Material and Plating	Silver
Coupling Nut Material and Plating	Brass, Nickel
Body Material and Plating	Brass, Nickel
Dielectric Type	Teflon

Connector 2

Type	SC Female
Inner Conductor Material and Plating	Silver
Body Material and Plating	Brass, Nickel
Dielectric Type	Teflon

Compliance Certifications (visit www.Pasternack.com for current document)

RoHS Compliant	Yes
----------------	-----

Click the following link (or enter part number in "SEARCH" on website) to obtain additional part information including price, inventory and certifications: [SC Male to SC Female Right Angle Adapter PE9405](#)

The information contained in this document is accurate to the best of our knowledge and representative of the part described herein. It may be necessary to make modifications to the part and/or the documentation of the part, in order to implement improvements. Pasternack reserves the right to make such changes as required. Unless otherwise stated, all specifications are nominal.





SC Male to SC Female Right Angle Adapter

TECHNICAL DATA SHEET

PE9405

Plotted and Other Data

Notes:

Values at 25 °C, sea level

SC Male to SC Female Right Angle Adapter from Pasternack Enterprises has same day shipment for domestic and International orders. Our RF, microwave and fiber optic products maintain a 99% availability and are part of the broadest selection in the industry.

Click the following link (or enter part number in "SEARCH" on website) to obtain additional part information including price, inventory and certifications: [SC Male to SC Female Right Angle Adapter PE9405](#)

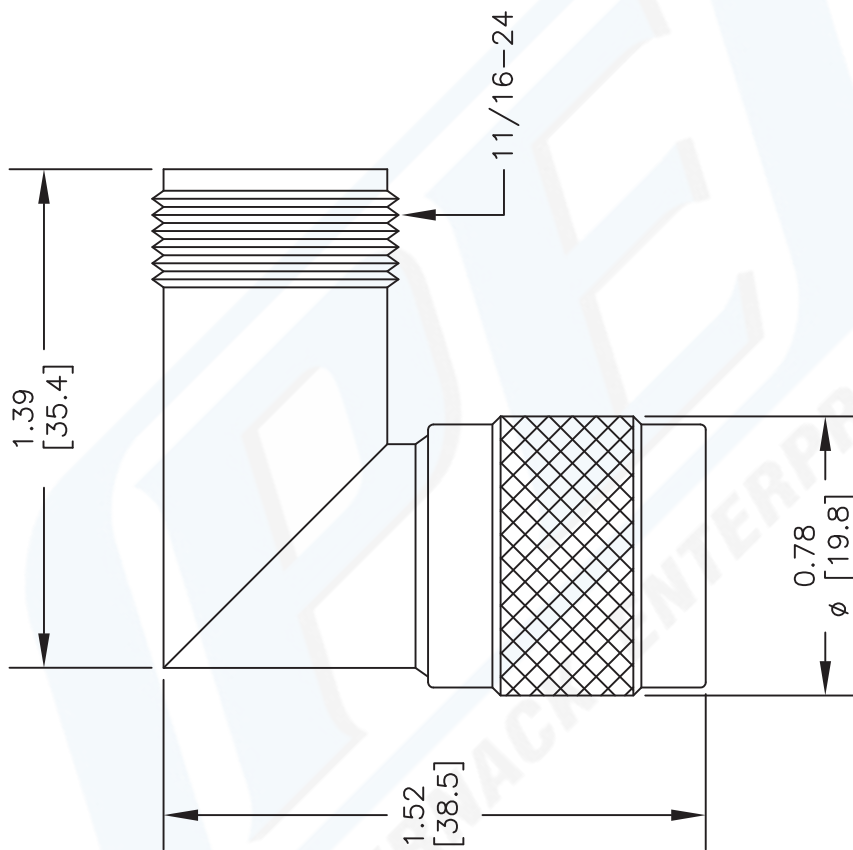
URL: <http://www.pasternack.com/sc-male-sc-female-right-angle-adapter-pe9405-p.aspx>

The information contained in this document is accurate to the best of our knowledge and representative of the part described herein. It may be necessary to make modifications to the part and/or the documentation of the part, in order to implement improvements. Pasternack reserves the right to make such changes as required. Unless otherwise stated, all specifications are nominal.



PE9405 CAD Drawing

SC Male to SC Female Right Angle Adapter



DWG TITLE

PE9405

NOTES:
 1. UNLESS OTHERWISE SPECIFIED ALL DIMENSIONS ARE NOMINAL.
 2. ALL SPECIFICATIONS ARE SUBJECT TO CHANGE WITHOUT NOTICE AT ANY TIME.
 3. DIMENSIONS ARE IN INCHES [mm].

REV. -

FSCM NO. 53919

CAD FILE 091902

SCALE N/A

SIZE A

127



PASTERNAK[®]
 Pasternack Enterprises, Inc.
 P.O. Box 16759 | Irvine | CA | 92623
Phone: (949) 261-1920 | **Fax:** (949) 261-7451
Website: www.pasternack.com | **E-Mail:** sales@pasternack.com