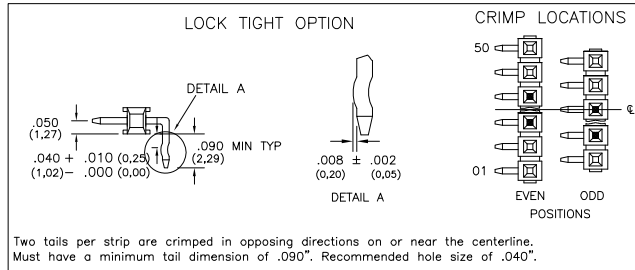
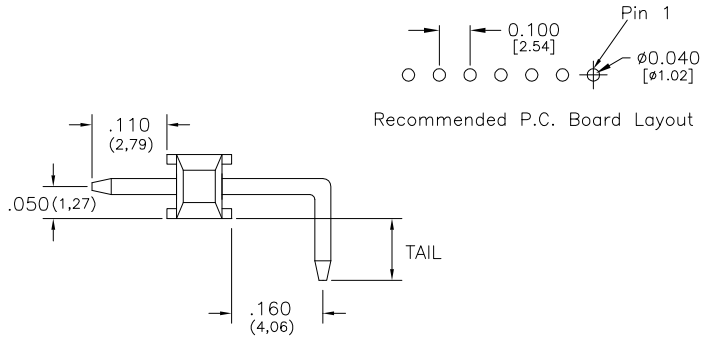
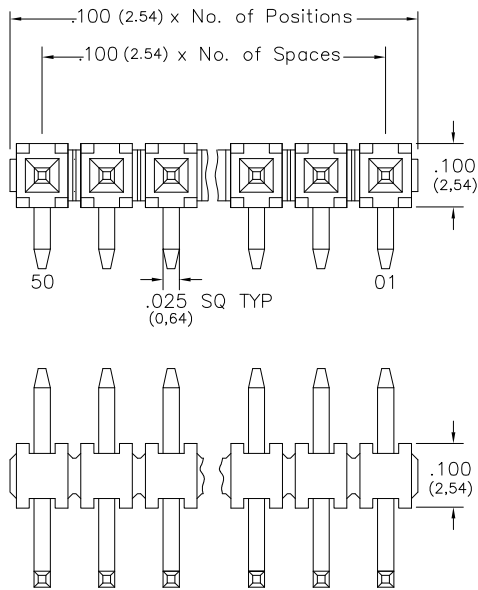


# Major League Electronics .100 cl Low Profile Terminal Strip Header - Right Angle Elevated



Two tails per strip are crimped in opposing directions on or near the centerline. Must have a minimum tail dimension of .090". Recommended hole size of .040".

Tails may be clipped to achieve desired pin length

## Ordering Information

LTSHRE-1 [XX] - S - [XX] - [XX] - [XX] - [XX] - [XX] - LF

Pins Per Row  
01 - 50

Row Specification  
S = Single Row

Lead Free

Every Other Pin Filled (.200 Centers)  
Leave blank if not needed  
E = Filled

Polarized Position  
Leave blank if not needed  
If required, specify empty pin position, e.g. 012 for Pin 12

Lock Tight "LT" (Optional)  
Leave blank if not needed  
LT = With

Post		Pin Option		
		Tail		
.110	2.79mm	.130	3.30mm	14
		.230	5.84mm	16
		.330	8.38mm	20
		.430	10.92mm	22
		.530	13.46mm	24
		.630	16.00mm	26
		.730	18.54mm	28
		.830	21.08mm	30
		.930	23.62mm	32
		1.030	26.16mm	34
		1.130	28.70mm	36

Plating Options	
G	- 10µ Gold on Contact area/Flash on Tail
T	- Matte Tin all Over
GT	- 10µ Gold on Contact Area / Matte Tin on Tail
H	- 30µ Gold on Contact Area / Matte Tin on Tail
F	- Gold Flash over Entire Pin

## Specifications

Current Rating: 3.0 Ampere  
Insulation Resistance: 1000MΩ Min.  
Dielectric Withstanding: 600V AC  
Contact Resistance: 20 mΩ Max.  
Operating Temperature: -40°C to + 105°C  
Max. Process Temperature:  
Peak: 260°C up to 20 secs.  
Process: 230°C up to 60 secs.  
Wave: 260°C up to 6 secs.  
Manual Solder: 350°C up to 5 secs.

## Materials

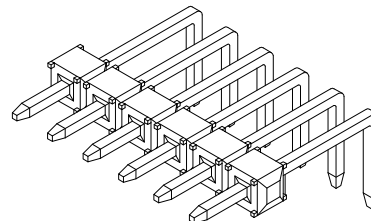
Contact Material: Phosphor Bronze  
Insulator Material: Nylon 6T  
Plating: Au or Sn over 50µ" (1,27) Ni

Products cut to specific sizes are uncancellable/nonreturnable

Parts are subject to change without notice

## Mates with:

BCSS,  
BSSH,  
BSSHC,  
BSSQ,  
BSSQC,  
BSSQM,  
LBCSS,  
LSMBC,  
LSWSS,  
SMBC,  
SSHQ,  
SSHQR,  
SSHR,  
SSHS,  
SSHSM



LTSHRE-1-S SERIES

.100 cl Single Row - Right Angle - Elevated  
Low Profile Terminal Strip Header

17 JAN 07

Scale  
NTS

UNLESS OTHERWISE SPECIFIED  
DIMENSIONS IN INCHES (MM)  
TOLERANCES ARE:

ONE PLACE DECIMALS ±.100  
TWO PLACE DECIMALS ±.010  
THREE PLACE DECIMALS ±.005  
FOUR PLACE DECIMALS ±.0020  
ANGLES  
±5°



4235 Earnings Way, New Albany, Indiana, 47150, USA  
1-800-782-3486 (USA/Canada/Mexico)

Tel: 812-944-7244  
Fax: 812-944-7268

E-mail: mle@mlelectronics.com  
Web: www.mlelectronics.com

Edition  
1

Sheet  
1/1