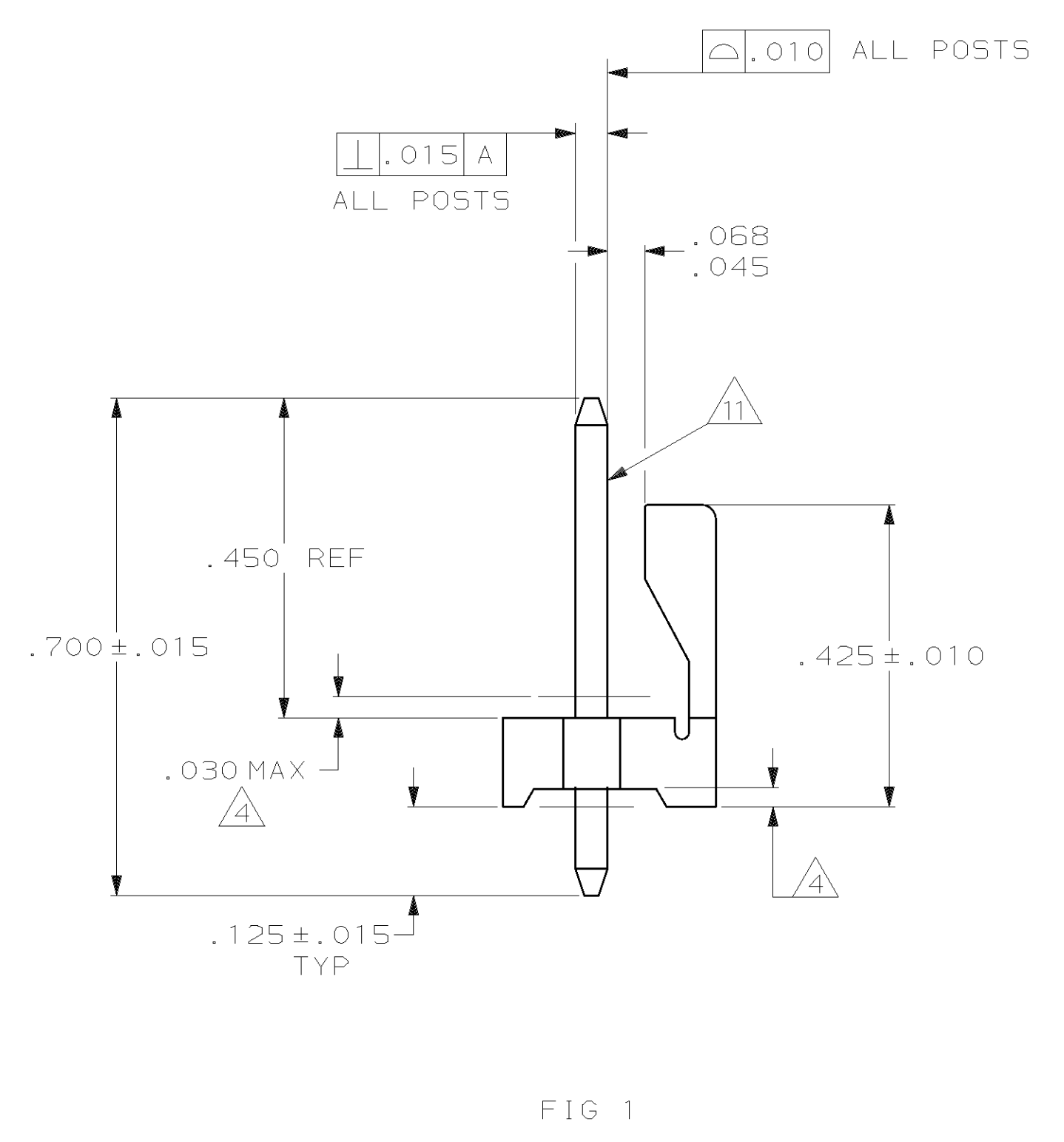
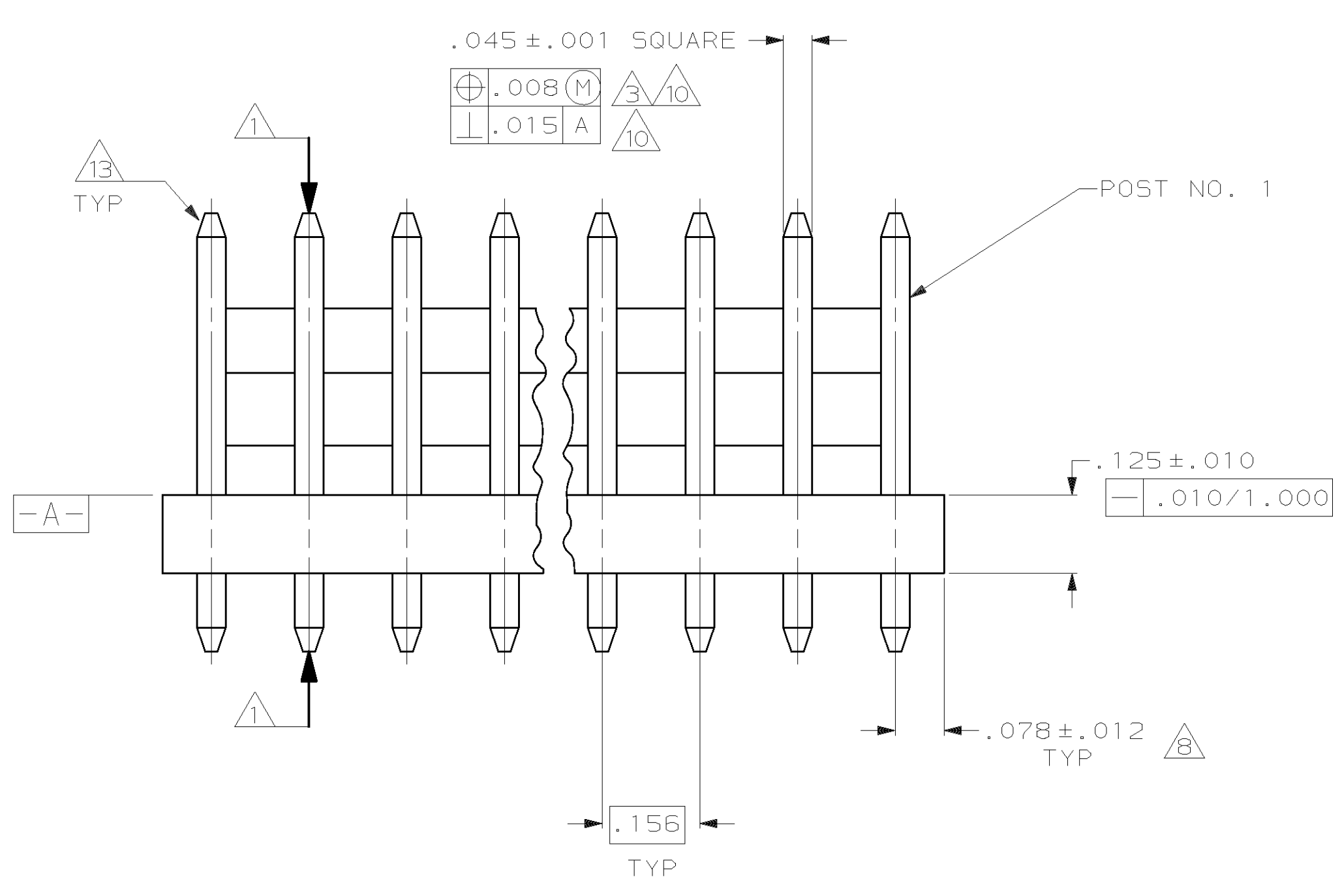
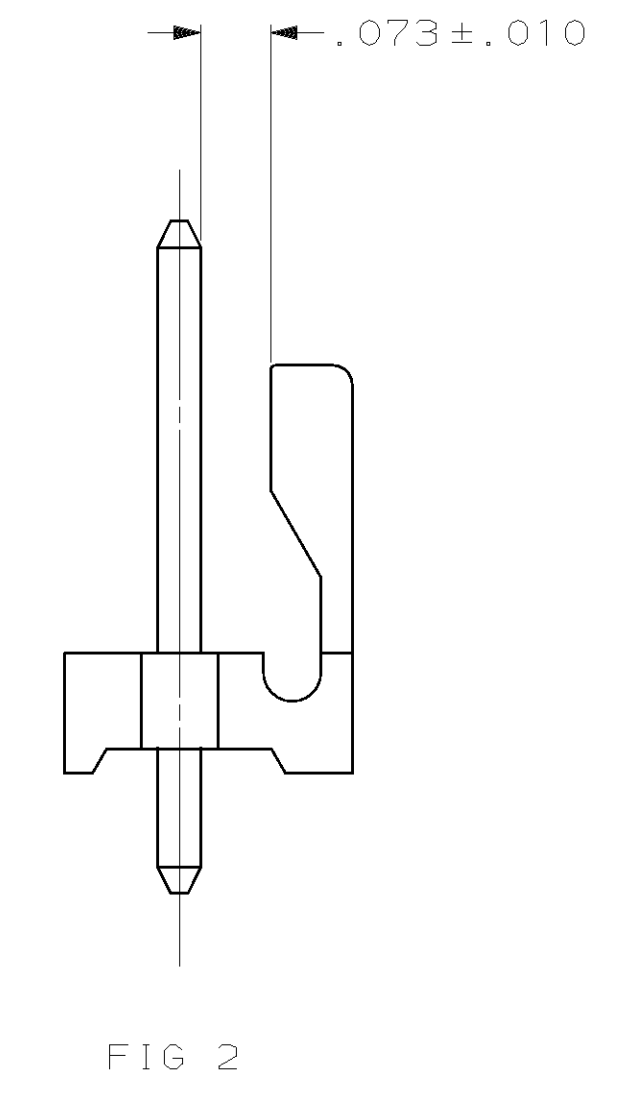
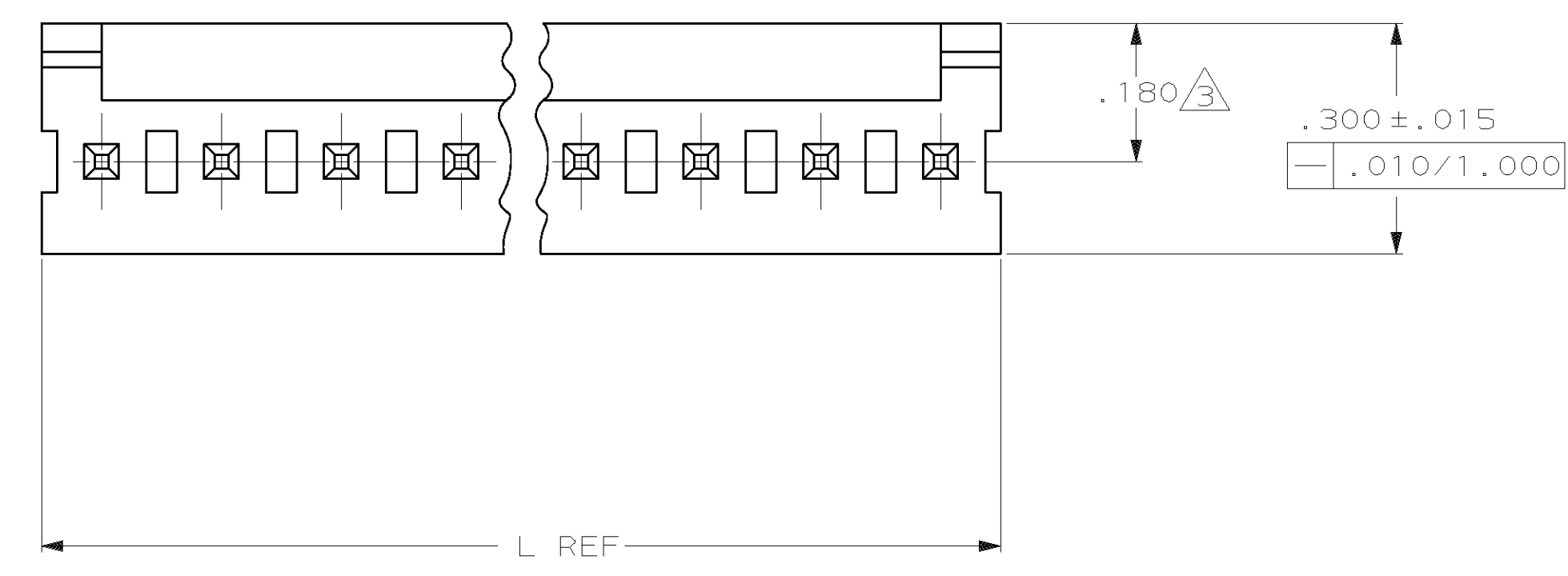


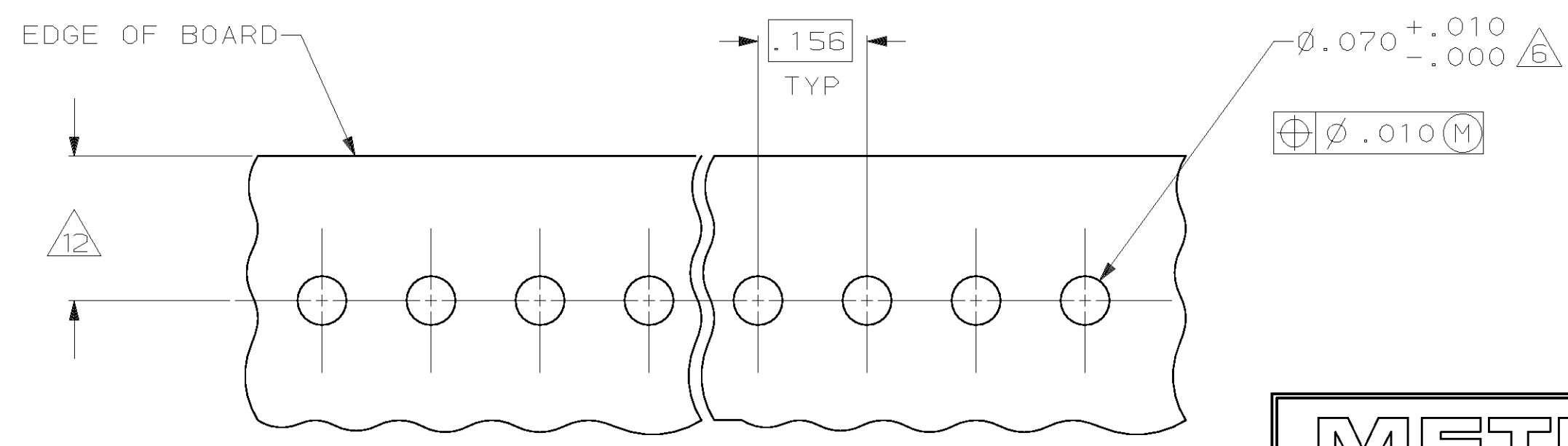
LOC	DIST	P	F	ZONE	LTR	REVISIONS	DATE	APPD
CM	54				V	REV PER EC 0730-4343-93	2-8-94	BL R5



- 1. POST TO WITHSTAND 13 NEWTONS (3LBS.) MIN. AXIAL FORCE IN BOTH DIRECTIONS SHOWN WITHOUT DISLODGING.
- 2. TOLERANCES APPLY TO SOLDER SIDE OF BOARD.
- 3. MEASURED AT SURFACE -A-
- 4. PLASTIC FLASH PERMITTED IN THIS AREA.
- 5. PARTS COMPLY WITH AMP SOLDERABILITY SPEC. NO. 109-11-2.
- 6. ONE HOLE MAY BE UNDERSIZED (.065/.060 DIA.) FOR ASSEMBLY RETENTION DURING WAVE SOLDERING.
- 7. MATERIAL: HEADER-THERMOPLASTIC POLYESTER GLASS-FILLED 94V-0 (NATURAL) (FIG.2) POST-COPPER ALLOY (TIN PLATED)
MATERIAL: HEADER-THERMOPLASTIC POLYESTER NON-FILLED 94V-0 (NATURAL) (FIG.1) POST-COPPER ALLOY (TIN PLATED)
- 8. COORDINATE DIMENSION APPLIES FROM CENTER OF ACTUAL FEATURE.
- 9. PLASTIC BURRS CAUSED BY CUT-OFF TOOLING ARE PERMITTED WITHIN THE MAXIMUM TOLERANCE ENVELOPE.
- 10. POST TO BE MEASURED WHEN STRIP IS HELD FLAT.
- 11. POST MUST WITHSTAND TWO 90° BENDS AGAINST EXTRUSION WITHOUT BREAKING.
- 12. DIMENSION SHOULD BE .175 MIN WHEN MATING WITH A MTA 156 CONNECTOR ASSEMBLY OR A SL-156 CONNECTOR ASSEMBLY.
- 13. PIN BURR OF .005 MAX. VERTICAL AND .003 MAX. HORIZONTAL PERMITTED AT POST TIPS ON BOTH ENDS.

2	3.744	95.10	24	2-640445-4
▲	3.588	91.14	23	2-640445-3
	3.432	87.17	22	2-640445-2
	3.276	83.21	21	2-640445-1
	3.120	79.25	20	2-640445-0
	2.964	75.29	19	1-640445-9
	2.808	71.32	18	1-640445-8
	2.652	67.36	17	1-640445-7
	2.496	63.40	16	1-640445-6
	2.340	59.44	15	1-640445-5
	2.184	55.47	14	1-640445-4
	2.028	51.51	13	1-640445-3
	1.872	47.55	12	1-640445-2
	1.716	43.59	11	1-640445-1
▼	1.560	39.62	10	1-640445-0
2	1.404	35.66	9	640445-9
1	1.248	31.70	8	640445-8
▲	1.092	27.74	7	640445-7
	.936	23.77	6	640445-6
	.780	19.81	5	640445-5
	.624	15.85	4	640445-4
▼	.468	11.89	3	640445-3
1	.312	7.92	2	640445-2
FIG NO.	IN	MM	NUMBER OF POSITIONS	PART NUMBER
	L			

IN	MM	IN	MM
.068	1.73	1.000	25.40
.065	1.65	.700	17.78
.063	1.60	.450	11.43
.060	1.52	.425	10.80
.045	1.14	.400	10.16
.030	0.76	.300	7.62
.015	0.38	.180	4.57
.012	0.30	.175	4.45
.010	0.25	.156	3.96
.008	0.20	.125	3.18
.005	0.13	.078	1.98
.003	0.08	.073	1.85
.001	0.03	.070	1.78
IN	MM	IN	MM



METRIC

THIS DRAWING IS A CONTROLLED DOCUMENT FOR AMP INCORPORATED. IT IS SUBJECT TO CHANGE AND THE CONTROLLING ENGINEERING ORGANIZATION SHOULD BE CONTACTED FOR THE LATEST REVISION.

DO NOT SCALE PRINT. UNLESS SPECIFIED DIMENSIONS IN mm [INCHES]		PART NO	
DR 9-14-92 B. LEWIS	CHK 9-14-92 R. SWING	AMP AMP Incorporated Harrisburg, PA 17105-3608	
2 PLC DEC ± -	APPD 10-7-92 R. SPEER		
3 PLC DEC ± .005	APPD 10-7-92 R. SPEER	NAME MTA-156 HEADER ASSEMBLY, FRICTION LOCK, STRAIGHT .045 SQUARE POST, TIN PLATED	
ANGLES ± -	PRODUCT SPEC	SIZE D 00779 C-640445	
MATERIAL	FINISH	CAGE CODE 00779	DRAWING NO C-640445
		SCALE 5:1	SHEET 1 OF 1
		CUSTOMER DRAWING	