

Features

- SMD gull-wing (two sizes)
- High frequency
- Low Z tolerance $\pm 10\%$

Applications

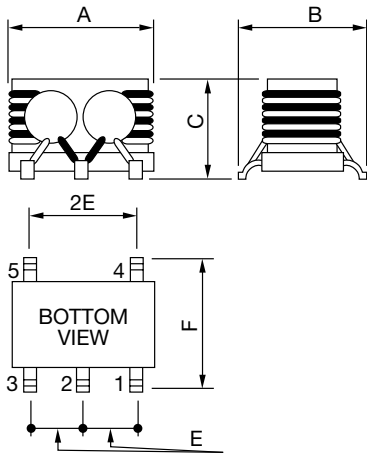
- Single antenna systems
- Master antenna systems
- Wideband communication systems
- SAT-systems
- Digital satellite broadcasting
- Used in antenna amplifiers

BRN Series - Chip Balun Transformers

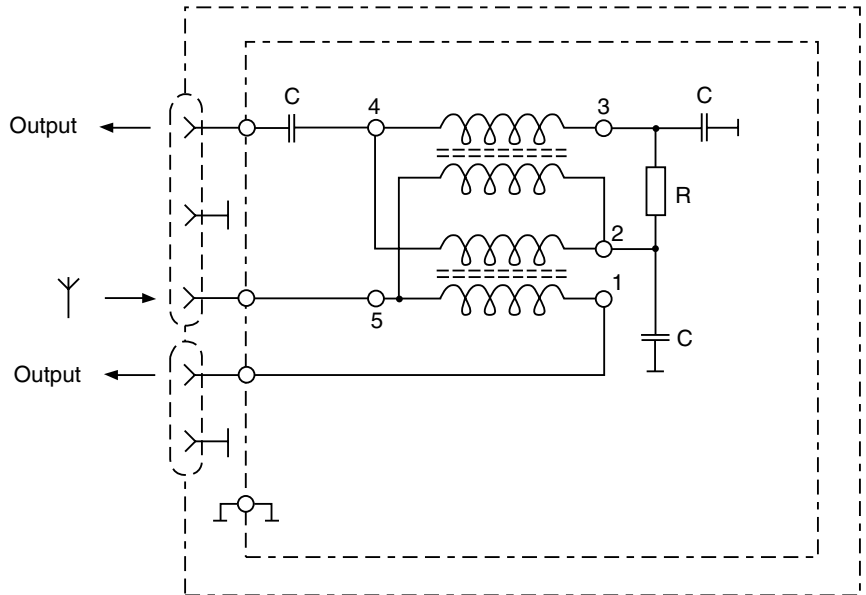
Dimensions

	A	B	C	E	F
BRN-SBC-108	6.0 ± 0.3 (.236 \pm .012)	6.5 ± 0.5 (.256 \pm .020)	4.2 ± 0.5 (.165 \pm .020)	2.0 ± 0.2 (.079 \pm .008)	5.8 ± 0.3 (.228 \pm .012)

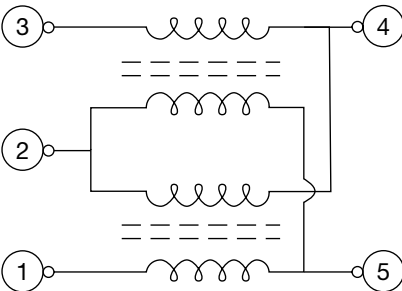
Configuration



DIMENSIONS ARE: $\frac{\text{METRIC}}{\text{(INCHES)}}$



Schematic



Direct distribution of high frequency energy by directional couplers

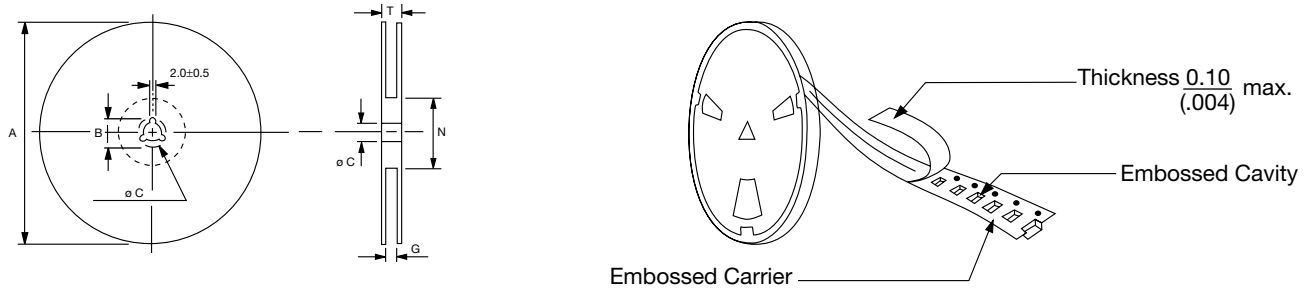
Electrical Data Z (4-5)

BRN-SBC-108	
47 MHz	160 Ω
230 MHz	270 Ω
470 MHz	275 Ω
860 MHz	290 Ω

Chip Balun Transformer Packaging Specifications

BOURNS®

Packaging Specifications

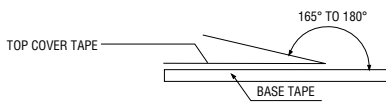


Reel Dimensions

Model	Tape Size	A	B	C	G	N	T	Packaging
BRN-SBC-108	$\frac{16}{(.63)}$	$\frac{178}{(7.008)}$	$\frac{24.0 \pm 1}{(.945 \pm .039)}$	$\frac{13.0 \pm 0.5}{(.512 \pm .020)}$	$\frac{18}{(.709)}$	$\frac{50^{\circ}}{(1.969^{\circ})}$	$\frac{22.4}{(.882)}$	500 pcs. per Reel

DIMENSIONS ARE: $\frac{\text{METRIC}}{\text{(INCHES)}}$

Strength Of Cover Tape



The force for tearing off cover tape is 10 to 130 grams in the arrow direction.

Materials

Paper
 Plastics

