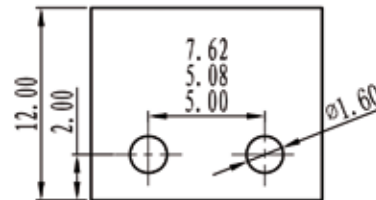
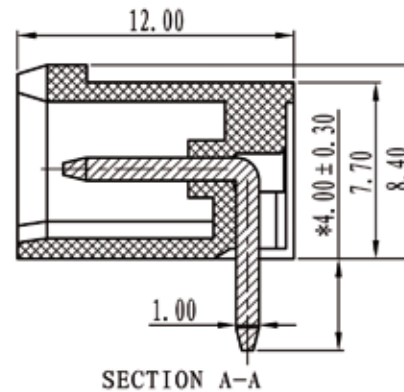
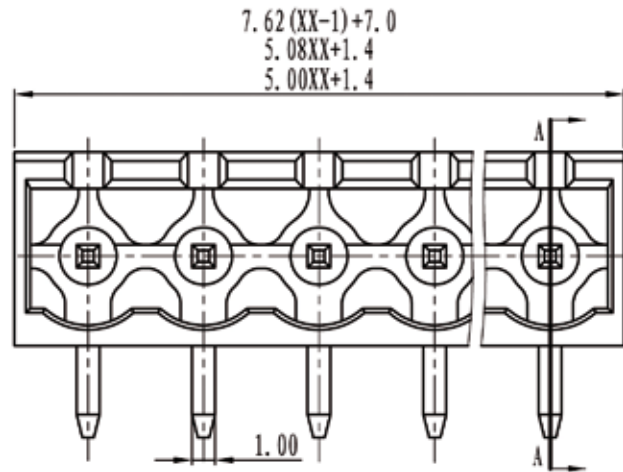


euro-block

product specification



Electrical

Standard: UL-IEC

Rated voltage: 250V-320V

Rated current: 10A-20A

Contact resistance: 20m Ω

Withstanding voltage: AC2000V/1Min

Insulation resistance: 5000M Ω/DC1000V

Mechanical

Temp.Range: -40°C~+105°C

MAX soldering: +250°C, for 5 sec

Dimensions

Pitch: 5.00mm, 5.08mm, 7.62mm

Poles: 2p-24p

Material

Housing: PA66, UL94V-0

Pin header: Brass, Tin plated

TOLERANCES EXCEPT AS NOTED

variable range	linear dimension				fillet	chamfer	∠ short angle sid			≡	-	□	//	⊥		
	to 6	over 6 to 30	over 30 to 120	over 120 to 480	all	over 6 to 6	to 10	over 10 to 50	over 50 to 120	all	to 5	over 5 to 30	over 30 to 120	over 120 to 480		
tolerance	±0.1	±0.2	±0.3	±0.5	±0.2	±0.5	±1	1'	30'	20'	10'	0.5	0.025	0.06	0.12	0.4

UNITS	mm	SIZE	A4	SCALE	FIRST ANGLE PROJECTION	
euro-block						
					NAME	CCM-5/5.08/7.62-CH