

PLEASE CHECK WWW.MOLEX.COM FOR LATEST PART INFORMATION

Part Number: [0357303110](#)
Status: **Active**
Description: 3.96mm (.156") Diameter Pin Terminal, Brass, 0.40mm (.016") Thickness, Wire Range 14-20 AWG (2.00-0.52mm²), Tin Plated

Documents:

[Drawing \(PDF\)](#) [RoHS Certificate of Compliance \(PDF\)](#)
[Product Specification PS-35730-001 \(PDF\)](#)

General

Product Family	Crimp Terminals
Series	35730
Crimp Quality Equipment	Yes
Product Name	N/A

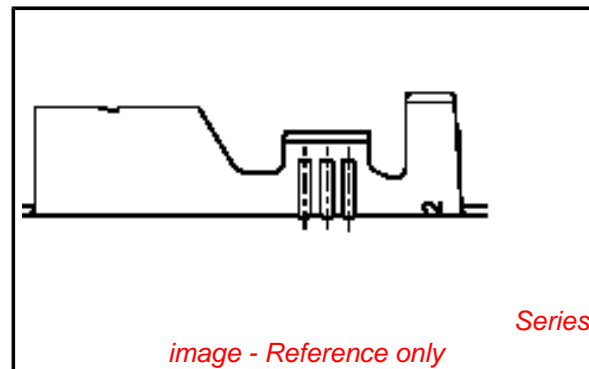
Physical

Gender	Female
Material - Metal	Brass
Material - Plating Mating	Tin
Material - Plating Termination	Tin
Packaging Type	Reel
Plating min: Mating (µin)	40
Plating min: Mating (µm)	1
Plating min: Termination (µin)	30
Plating min: Termination (µm)	1
Termination Interface: Style	Crimp or Compression
Wire Insulation Diameter	3.50mm (.138") max.
Wire Size AWG	14, 16, 18, 20
Wire Size mm ²	N/A

Material Info

Reference - Drawing Numbers

Product Specification	PS-35730-001
Sales Drawing	SD-35730-031, SD-35730-31*0



EU RoHS

**ELV and RoHS
Compliant**
**REACH SVHC
Contains SVHC: No**
**Halogen-Free
Status**
Halogen-Free

China RoHS



**Need more information on product
environmental compliance?**

Email productcompliance@molex.com
 For a multiple part number RoHS Certificate of Compliance, [click here](#)

Please visit the [Contact Us](#) section for any non-product compliance questions.

Search Parts in this Series
[35730Series](#)

Mates With
[35730-30*0](#)

PLEASE CHECK WWW.MOLEX.COM FOR LATEST PART INFORMATION

DWG. NO. SD-35730-031
 SIMILAR ITEM
 PROJECT NO.
 C
 B
 DO NOT SCALE DRAWING
 DIMENSION IN METRIC

8

7

6

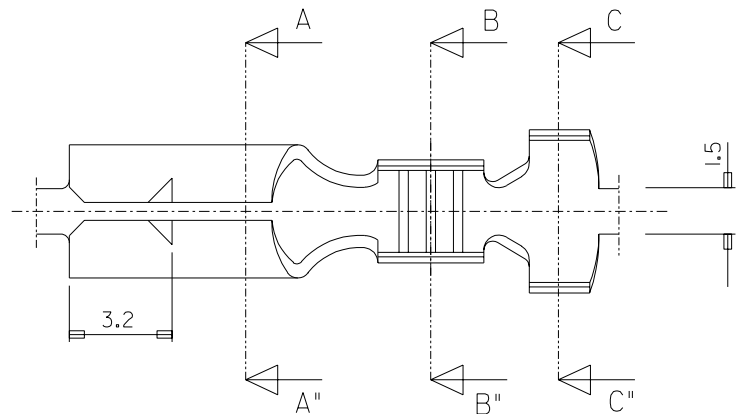
5

4

3

2

1

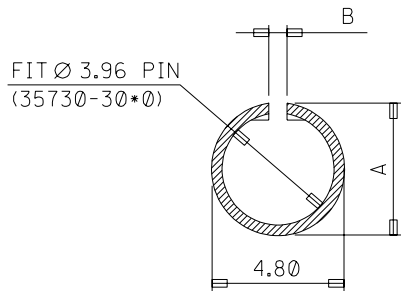
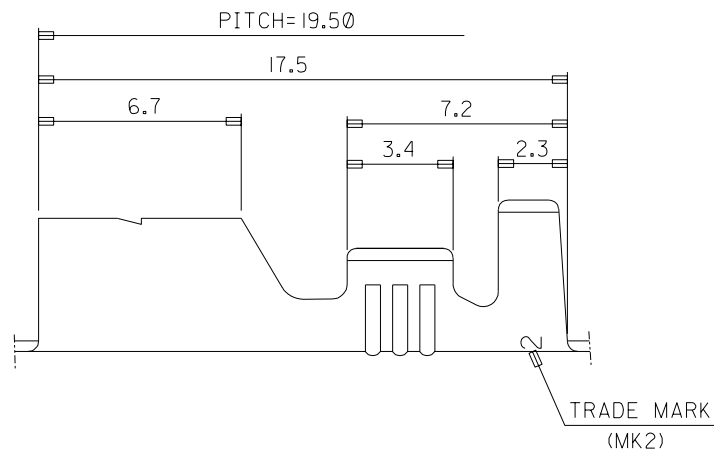


- NOTES
 1. MAT'L : BRASS, 0.4mm THICKNESS
 2. FINISH & TENSION

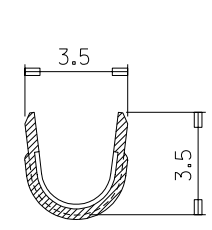
ENG.NO.	DIMENSION		FINISH (OVERALL)	TENSION (FORCE, Kgf)	
	A	B		1ST INSERTION	6TH WITHDRAWAL
35730-3100	4.50	0.70	UNPLATED	5.0Kgf MAX.	2.5Kgf MIN.
35730-3130	4.60	0.90	FLASH Au PLATED	4.5Kgf MAX.	1.5Kgf MIN.
35730-3110			TIN PLATED	5.0Kgf MAX.	2.5Kgf MIN.
35730-3160			TIN PLATED	5.0Kgf MAX.	2.5Kgf MIN.

LEAD FREE

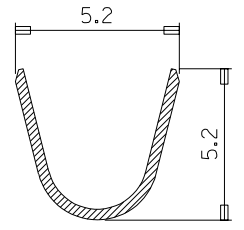
3. MATES WITH : 35730-30*0
 4. APPLICABLE WIRE RANGE : AWG #20-#14



SEC':A-A"



SEC':B-B"



SEC':C-C"

LEAD FREE

REVISED EC NO. KOR2005-0026 DRWN: D.Y.JANG 04/09/30 CHK: W.Y.YANG APPR: C.W.LEE	QUALITY SYMBOLS MAJOR = 0 CRITICAL = 0	DESCRIPTION
		REV
		A

GENERAL TOLERANCES: (UNLESS SPECIFIED)	
4 PLACES	±. INCH
3 PLACES	±. INCH
2 PLACES	±0.20 INCH
1 PLACE	±0.30 INCH
ANGULAR: ± °	
DRAFT WHERE APPLICABLE MUST REMAIN WITHIN DIMENSIONS	

SCALE 6:1	DESIGN UNITS <input checked="" type="checkbox"/> mm <input type="checkbox"/> INCH
DRAWN BY & DATE J.S.KANG 93/06/15	
CHECKED BY & DATE B.K.CHOI 93/06/15	
APPROVED BY & DATE C.W.LEE 93/06/15	
CAD FILENAME S7303100.DGN	MATERIAL NO. SEE CHART

THIRD ANGLE PROJECTION		DIMENSIONS: <input type="checkbox"/> mm <input type="checkbox"/> INCH <input checked="" type="checkbox"/> mm ONLY		SHT	REV
TITLE: 3.96mm DIA. PIN RECEPTACLE TERMINAL -LEAD FREE-					
MOLEX INCORPORATED					
DRAWING NO. SD-35730-031		SHEET NO. 10F1			
THIS DRAWING CONTAINS INFORMATION THAT IS PROPRIETARY TO MOLEX INCORPORATED AND SHOULD NOT BE USED WITHOUT WRITTEN PERMISSION.					
					SIZE B

8

7

6

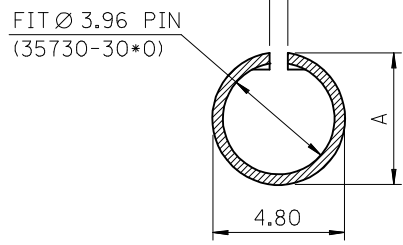
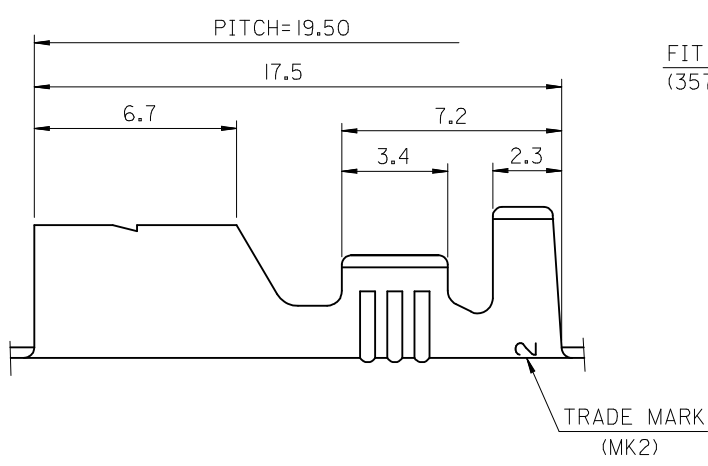
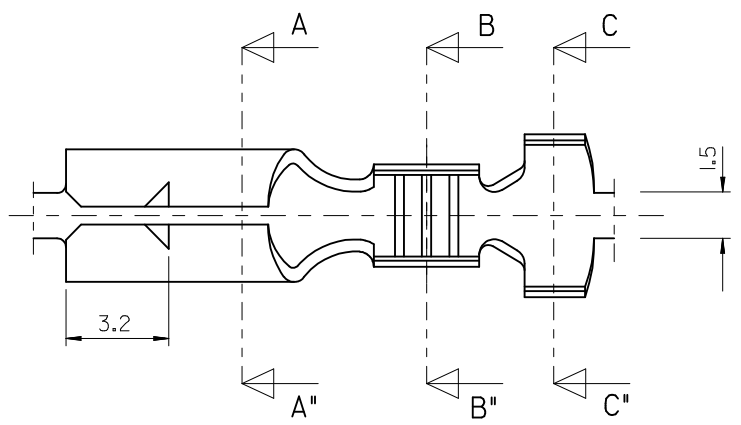
5

4

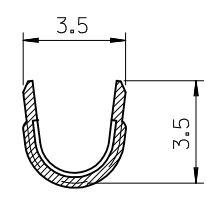
3

2

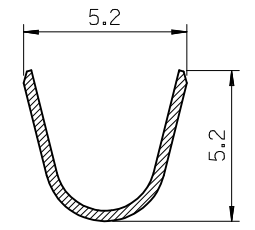
MX-A3



SEC':A-A"



SEC':B-B"



SEC':C-C"

ENG.NO.	DIMENSION	
	A	B
35730-3100	4.50	0.70
35730-3110	4.60	0.90

TABLE1

NOTES

1. MATERIAL : BRASS
2. FINISH : 35730-3100 : UNPLATED
 @ 35730-3110 : TIN PLATED
 1.0 μm MIN. TIN PLATING
 OVERALL 0.3~0.8μm COPPER PLATING
3. PRODUCT SPECIFICATION : PS-35730-001
4. MATES WITH : 35730-30*0
5. APPLICABLE WIRE RANGE : AWG #20~#14

REVISED	EC NO: KOR2009-0115
	DRWN: JHPARK01 2009/01/29
	CHKD: W. YANG 2009/01/29
	APPR: YUNSIKKIM 2009/01/29

REV	DESCRIPTION
▼=0	
▽=0	

GENERAL TOLERANCES (UNLESS SPECIFIED)	
	mm
4 PLACES	±---
3 PLACES	±---
2 PLACES	±0.20
1 PLACE	±0.30
ANGULAR ±---°	
DRAFT WHERE APPLICABLE MUST REMAIN WITHIN DIMENSIONS	

DIMENSION STYLE	
MM ONLY	
DRAWN BY	DATE
JS. KANG	1993/06/15
CHECKED BY	DATE
BK. CHOI	1993/06/15
APPROVED BY	DATE
CW. LEE	1993/06/15
MATERIAL NO.	
SEE NOTES	

SCALE	DESIGN UNITS	THIRD ANGLE PROJECTION	
6:1	METRIC		
TITLE		3.96 PIN RECEPTACLE	
MOLEX INCORPORATED			
DOCUMENT NO.	SD-35730-31*0		SHEET NO.
		1 OF 01	
THIS DRAWING CONTAINS INFORMATION THAT IS PROPRIETARY TO MOLEX INCORPORATED AND SHOULD NOT BE USED WITHOUT WRITTEN PERMISSION			