

# MAXI® BLADE FUSE RATED 58V

**RoHS**



## Specifications

Voltage Rating:	58 VDC
Interrupting Ratings:	1000A @ 58 VDC
Operating Temperature Range:	-40°C to +125°C
Terminals:	Ag plated zinc alloy
Housing Material:	PA66
Complies with:	SAE J 1888 ISO 8820-3:2002(E)

## Ordering Information

Part Number	Package Size
0999xxx.ZXN	1200

## Description

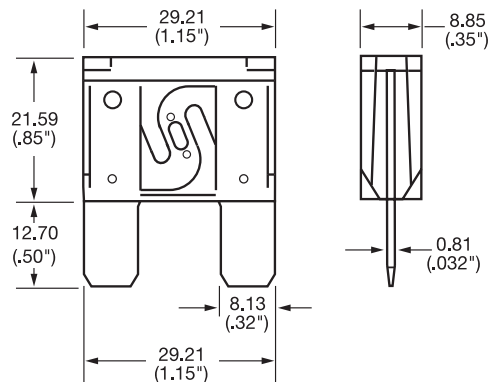
The MAXI® fuse uses “Diffusion Pill Technology” to provide predictable time delay characteristic and low heat dissipation.

## Time-Current Characteristics

% of Rating	Opening Time Min / Max (s)
100	360,000 s / -
135	60 s / 1,800 s
200	2 s / 60 s
350	0.20 s / 7 s
600	0.040 s / 1 s

## Dimensions

Dimensions in mm



## Ratings

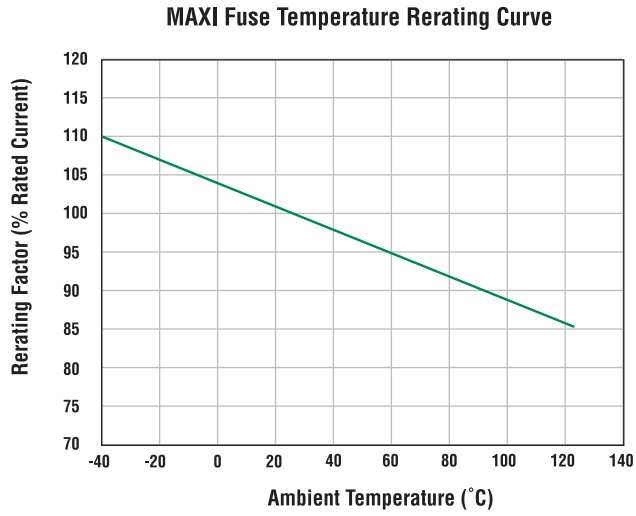
Part Number	Current Rating	Housing Color	Typ. Voltage Drop	Cold Resistance	I <sup>2</sup> t
0999020_	20 A	Yellow	76 mV	3.10 mΩ	1100 A <sup>2</sup> s
0999025_	25 A	Grey	75 mV	2.39 mΩ	2087 A <sup>2</sup> s
0999030_	30 A	Green	77 mV	1.95 mΩ	4070 A <sup>2</sup> s
0999035_	35 A	Brown	75 mV	1.71 mΩ	6032 A <sup>2</sup> s
0999040_	40 A	Orange	75 mV	1.42 mΩ	8450 A <sup>2</sup> s
0999050_	50 A	Red	73 mV	1.10 mΩ	11300 A <sup>2</sup> s
0999060_	60 A	Blue	77 mV	0.89 mΩ	15300 A <sup>2</sup> s
0999070_	70 A	Tan	61 mV	0.64 mΩ	6900 A <sup>2</sup> s
0999080_	80 A	White	62 mV	0.54 mΩ	8800 A <sup>2</sup> s

Corresponding holder see Section “Fuse Holders.”

# MAXI<sup>®</sup> BLADE FUSE RATED 58V

RoHS

## Temperature Derating Curve



## Time-Current Characteristic Curves

