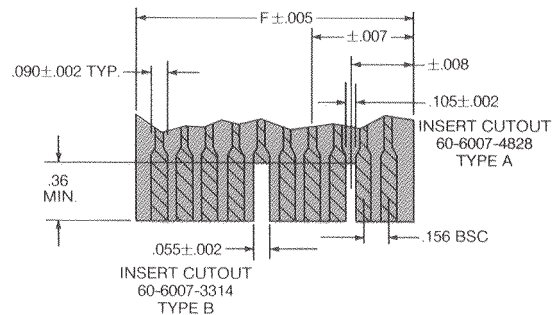
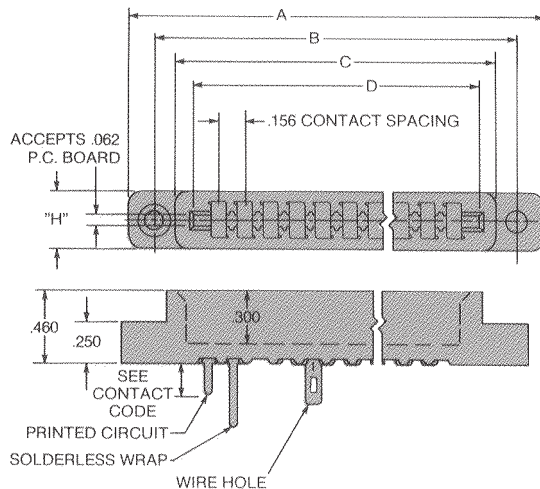
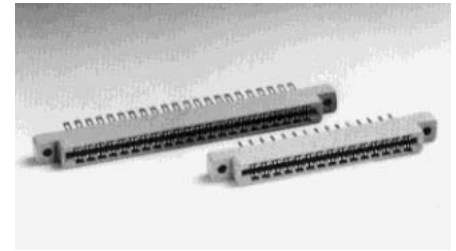


.156" x .200"

SERIES 6007

NO. OF CONTACTS		A	B	C	D	E	F	H	J
SINGLE READOUT	DUAL READOUT								
6	12	1.842	1.532	1.246	1.100	1.290	1.086	.343	.380
10	20	2.466	2.156	1.870	1.724	1.910	1.710	.343	.380
12	24	2.778	2.468	2.182	2.036	2.220	2.022	.343	.380
15	30	3.246	2.936	2.650	2.504	2.700	2.490	.343	.380
18	36	3.714	3.404	3.118	2.972	3.160	2.958	.343	.380
22	44	4.338	4.028	3.742	3.596	3.790	3.582	.343	.380
36	72	6.522	6.212	5.926	5.780	5.940	5.766	.500	.540
43	86	7.614	7.304	7.018	6.872	7.040	6.858	.500	.540

Rectangular Tails



Features

- *Meets the performance requirements of MIL-C-21097
- Single and dual read-out contacts
- Eight sizes: 6/12, 10/20, 12/24, 15/30, 18/36, 22/44, 36/72, 43/86, contacts
- Three mounting styles: mounting holes, floating eyelets and threaded inserts

Specifications

Current rating: 5 amperes
Contact resistance: 6 milliohms, maximum
Contact material: Phosphor bronze

Contact plating:

Overall: 50-100 microinches nickel and 10 microinches min. gold overall

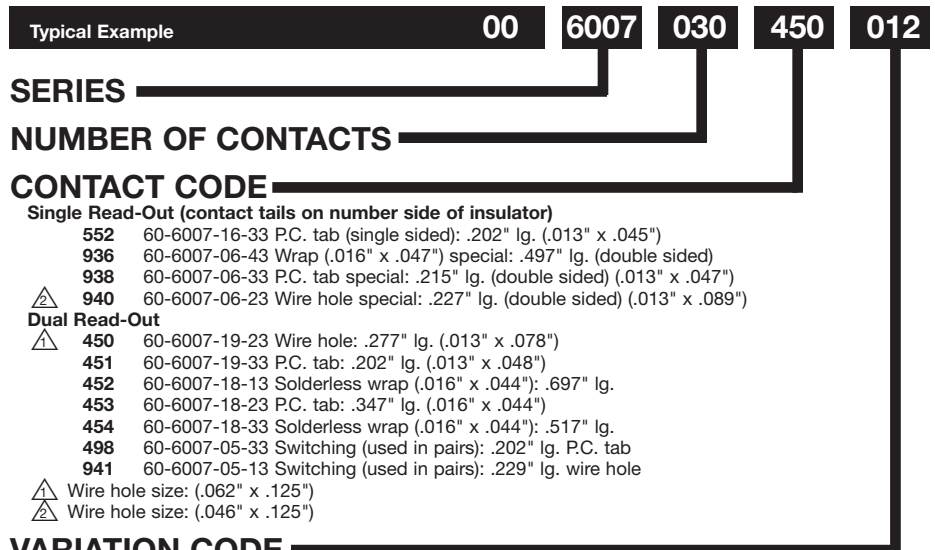
Insertion/withdrawal force: 2 to 16 ounces per contact pair, nominal P.C. card

Insulator material: Diallyl phthalate, glass-filled, per MIL-M-14F, type SDGF (check factory for other available materials)

Insulation resistance: 25,000 megohms, minimum

Dielectric withstanding voltage: 2000 VAC between adjacent contacts, RMS, at sea level

Ordering Code



Single Read-Out (contact tails on number side of insulator)

- 552 60-6007-16-33 P.C. tab (single sided): .202" lg. (.013" x .045")
- 936 60-6007-06-43 Wrap (.016" x .047") special: .497" lg. (double sided)
- 938 60-6007-06-33 P.C. tab special: .215" lg. (double sided) (.013" x .047")
- 940 60-6007-06-23 Wire hole special: .227" lg. (double sided) (.013" x .089")

Dual Read-Out

- 450 60-6007-19-23 Wire hole: .277" lg. (.013" x .078")
- 451 60-6007-19-33 P.C. tab: .202" lg. (.013" x .048")
- 452 60-6007-18-13 Solderless wrap (.016" x .044"): .697" lg.
- 453 60-6007-18-23 P.C. tab: .347" lg. (.016" x .044")
- 454 60-6007-18-33 Solderless wrap (.016" x .044"): .517" lg.
- 498 60-6007-05-33 Switching (used in pairs): .202" lg. P.C. tab
- 941 60-6007-05-13 Switching (used in pairs): .229" lg. wire hole

- ⚠ Wire hole size: (.062" x .125")
- ⚠ Wire hole size: (.046" x .125")

VARIATION CODE

Plating

Overall

- 012 With .128" dia. mounting holes
- 018 With #4-40 insert

Recommended for standard applications. Available through AVX franchised distributors.