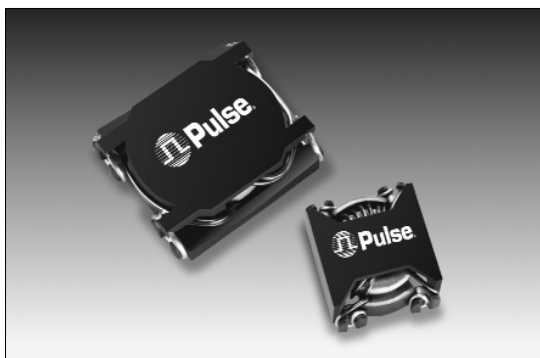


# HIGH AND LOW CURRENT COUPLED INDUCTORS

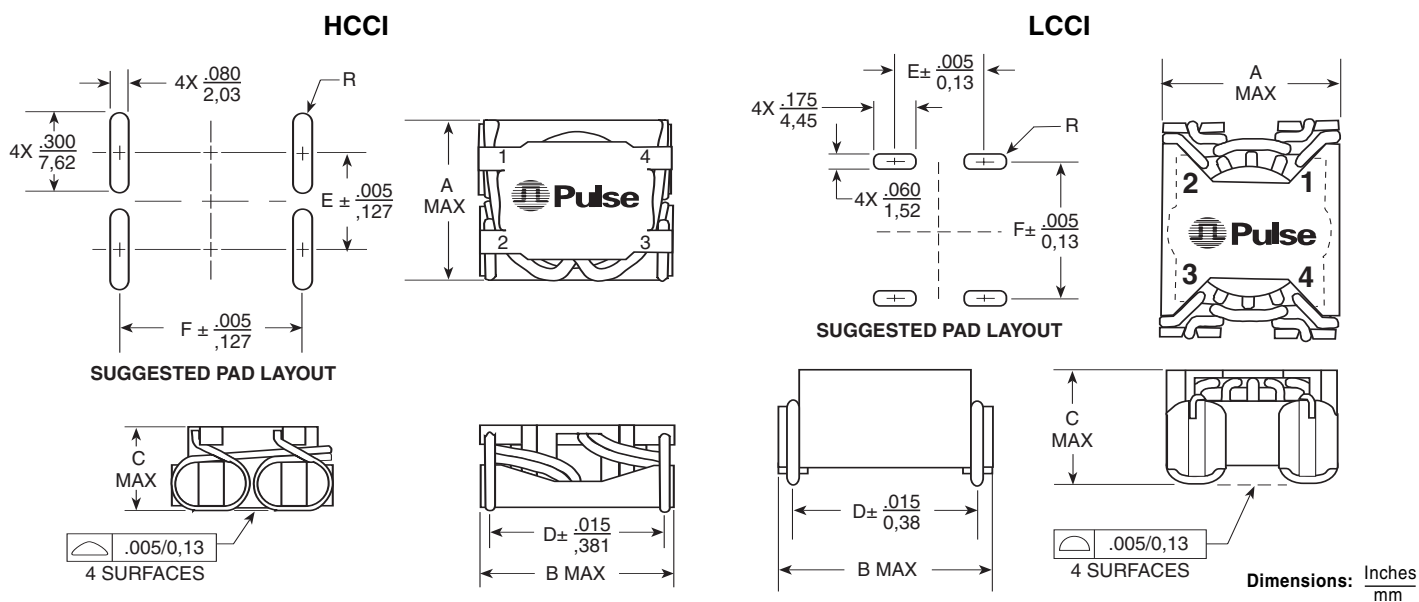


- Materials meet UL 94V-0 rating
- Self-leaded, surface mount
- Frequency range up to 1 MHz

## Electrical Specifications @ 25°C — Operating Temperature -40°C to 130°C

Part Number	I <sub>dc</sub> (Amps)	L <sub>w/DC</sub> (μH)	ET (V-μ sec)	Size Code	L <sub>w/oDC</sub> (μH ± 20%)	Max DCR (mΩ)
PE-53361	23.8	.53	1.00	HCCI-44	.88	6.0
PE-53362	21.0	1.10	1.75	HCCI-50	2.10	5.0
PE-53363	22.4	2.10	3.25	HCCI-68	4.00	6.8
PE-53717	1.1	43.6	7.83	LCCI-37	77.0	309
PE-53718	2.7	21.9	6.90	LCCI-44	39.5	90.5
PE-53719	6.4	4.025	3.135	LCCI-50	6.575	23

## Mechanicals



## Size Codes

	HCCI-44	HCCI-50	HCCI-68	LCCI-37	LCCI-44	LCCI-50
A	.715/18,16	.800/20,32	1.000/25,40	.560/14,22	.590/14,99	.670/17,02
B	.865/21,97	.910/23,11	1.110/28,19	.645/16,38	.715/18,16	.770/19,56
C	.390/9,91	.390/9,91	.395/10,03	.350/8,89	.390/9,91	.390/9,91
D	.760/10,30	.800/20,32	1.000/25,40	.520/13,21	.600/15,24	.650/16,51
E	.360/9,14	.440/11,18	.620/15,75	.340/8,64	.370/9,40	.445/11,30
F	.770/19,56	.810/20,57	1.010/25,65	.530/13,46	.610/15,49	.660/16,76

## Schematics

