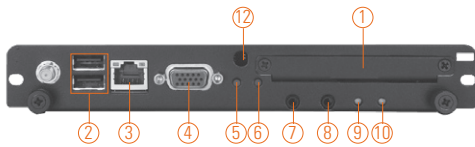


OPS860

Socket G2 2nd Gen Intel® Core™ Open Pluggable Specification (OPS) Digital Signage Player with Intel® QM67 Chipset



- | | |
|------------------|-----------------------------|
| 1. 2.5" HDD Slot | 7. Audio (Line-out) |
| 2. USB 2.0 x 2 | 8. Audio (Mic-in) |
| 3. Ethernet | 9. Power indicator |
| 4. VGA | 10. HDD indicator |
| 5. Power switch | 11. JAE TX-25 |
| 6. Reset | 12. WiFi antenna (optional) |



Specifications

Main System	CPU	Supports socket G2 (rPGA 988B) 2nd generation Intel® Core™ i7/ i5/ i3 processors (Sandy Bridge) (optional)	
	Chipset	Intel® QM67 PCH	
	System Memory	1 x DDR3 1333 SO-DIMM max. up to 8 GB	
	Storage	1 x 2.5" SATA HDD tray	
	Watchdog Timer	255 levels, 1 ~ 255 sec.	
IO	2 x USB 2.0		
	1 x 10/100/1000Mbps Ethernet		
	1 x VGA		
	1 x power on/off button		
	1 x reset button		
	1 x Audio (Line-out/ Mic-in)		
	1 x DVI/HDMI (via OPS JAE interconnector)		
	1 x DisplayPort (via OPS JAE interconnector)		
	3 x USB 2.0 (via OPS JAE interconnector)		
	1 x Audio (Line-out, via OPS JAE interconnector)		
	1 x UART (TX/RX via OPS JAE interconnector)		
	Indicator	1 x LED for system power ON	
		1 x LED for HDD active	
WiFi	Supports 802.11 a/b/g/n (optional)		
Expansion Slot	1 x PCI Express Mini Card		
Dimensions	200 mm (7.87") (W) x 119 mm (4.68") (D) x 30 mm (1.18") (H)		
	Packing Dimensions 270 mm (10.63") (W) x 197 mm (7.76") (D) x 70 mm (2.76") (H)		
Weight (net/gross)	1 kg (2.2 lb)/1.5 kg (3.3 lb)		
Environmental	0° ~ +54°C (32°F ~ 130°F) (With airflow 0.7m/s)		

Packing

- 1 x driver CD
- 1 x HDD mylar x 1
- 1 x thermal grease (syringe 1G)
- 2 x M3 x 4 screw
- 2 x M4 x 6 screw

517

Features

- Open Pluggable Specification (OPS) compliance
- Supports socket G2 (rPGA 988B) 2nd generation Intel® Core™ i7/ i5/ i3 processors (Sandy Bridge) (optional)
- DDR3 1333 SO-DIMM max. up to 8 GB
- PCIe Express Mini Card
- Supports Intel® AMT (Active Management Technology) 7.0
- Easy maintenance: pluggable HDD and easy-to-change DRAM
- VGA connector



▲ Rear view

Optional EOS Installation

Windows® 7 Embedded

Optional OS Installation

Windows® XP, Windows® 7

Ordering Information

Standard

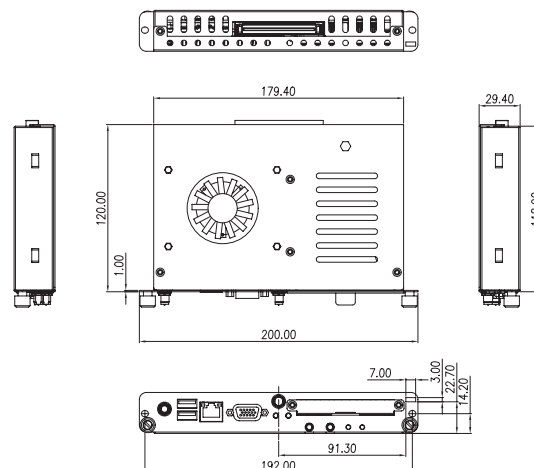
OPS860 Intel® OPS digital signage player supports socket G2 processor (Sandy Bridge)
(P/N: E22M860100)

Optional

OFF320 31.5" full HD digital signage display
OFF321 31.5" LED backlight full HD digital signage display
AX93157 OPS docking board

* Specification and certifications are based on options and may vary.

Dimensions



* All specifications and photos are subject to change without notice.