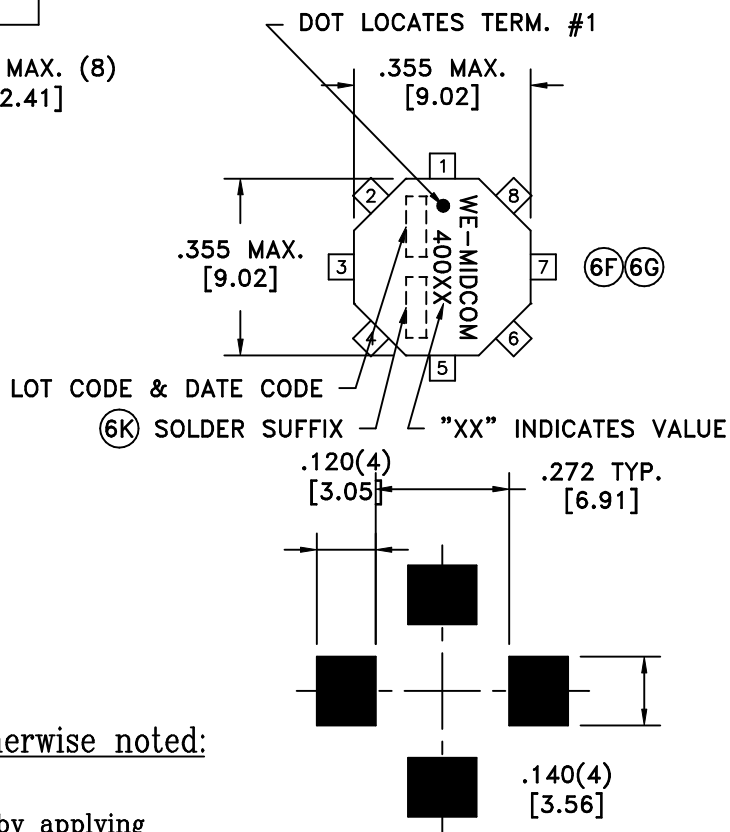
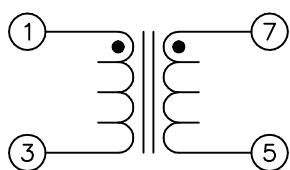
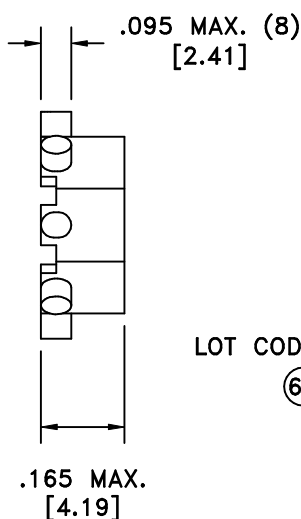
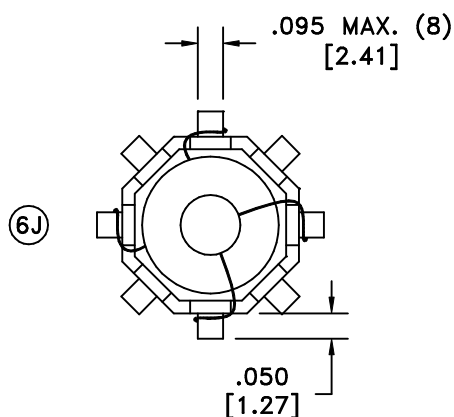


SOLDER SUFFIX	CUSTOMER TERMINAL	RoHS	LEAD(Pb)-FREE	(6K)
	Sn63%, Pb37%	No	No	
LF2	Sn98%, Cu2%	Yes	Yes	



**ELECTRICAL SPECIFICATIONS @ 25°C unless otherwise noted:**

D.C. RESISTANCE (@20°C): See Table.

DIELECTRIC RATING: 500VDC, 1 minute tested by applying 625VDC for 1 second between windings.

(6C)(6F) INDUCTANCE: 100kHz, 100mV.

TERMINAL PAD DIMENSIONS  
CUSTOMER TO DETERMINE LAND SIZE

WE-MIDCOM P/N	INDUCTANCE uH±20% (Term. 1-3)	DCR (Series) Max. Ohms (Term. 1-5, tie 3+7)	DCR (Parallel) Max. Ohms (Term. 1-3, tie 7+1, 3+5)	INDUCTANCE (Parallel) (Term. 1-3, tie 7+1, 3+5)	
				ADC	Ind. min. uH
40000R/-LF2	0.395	0.022	0.006	5.5	0.28
40001R/-LF2	0.565	0.025	0.006	5.1	0.41
40002R/-LF2	1.02	0.032	0.008	4.5	0.71
40003R/-LF2	2.02	0.054	0.014	3.4	1.33
40004R/-LF2	4.83	0.161	0.040	2.0	3.29
40005R/-LF2	8.08	0.208	0.052	1.8	5.18
40006R/-LF2	9.62	0.227	0.057	1.7	6.07
40007R/-LF2	15.0	0.348	0.087	1.4	9.38
40008R/-LF2	20.5	0.634	0.159	1.0	13.8
40009R/-LF2	25.4	0.708	0.177	0.96	16.6
40010R/-LF2	32.3	1.00	0.250	0.80	21.7
40011R/-LF2	50.5	1.26	0.316	0.70	32.7
40012R/-LF2	68.4	1.49	0.373	0.66	42.6
40013R/-LF2	99.0	2.23	0.557	0.54	62.0
40014R/-LF2	151	3.38	0.844	0.44	94.2
40015R/-LF2	198	4.83	1.210	0.36	128
40016R/-LF2	300	6.10	1.530	0.32	185

(6C)(6D)

DETAILS SUBJECT TO CHANGE

Unless otherwise specified:  
Tolerances:  
Angles: ±1°  
Fractions: ±1/64  
Decimals: ±.005[.13]

This drawing is dual dimensioned.  
Dimensions in brackets are in millimeters.

DRAWING TITLE  
**INDUCTOR**

eiSos p/n:

REVISIONS: SEE SHEET 1

Midcom  
www.midcom-inc.com

DRAWING NO. (6K)(6D)(6C) REV. 6K 3/07

**40000R/40016R/-LF2**

SCALE --- (6F)(6E) SHEET 2 OF 6

DWG.# 40000R/40016R/-LF2