

UNSHIELDED SMD POWER INDUCTOR

AISC-2220H



RoHS
Compliant



5.7 x 5.0 x 4.5mm

FEATURES:

- Excellent solderability and resistance
- Suitable for flow and reflow soldering
- Packed in embossed carrier tape and can be used by automatic mounting machines

APPLICATIONS:

- Personal Computers, disk drives and computer peripherals
- Excellent for power line DC/DC conversion applications

STANDARD SPECIFICATIONS:

PARAMETERS

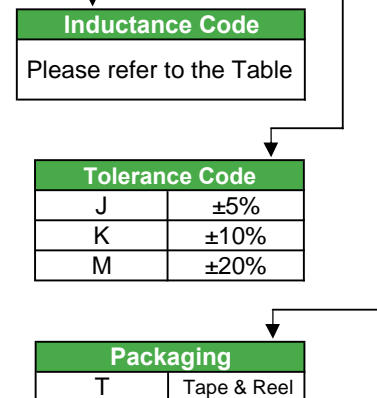
ABRACON P/N:	AISC-2220H-xxx Series
Operating temperature:	-25°C to + 85°C
Storage temperature:	-25°C to + 85°C, 70% RH max.
Test Condition:	1.0V/1.0MHz

Part Number	L (μH)	Rdc (mΩ) max.	Idc (mA) max.
AISC-2220H-1R0	1.00	30	3000
AISC-2220H-1R4	1.40	44	2000
AISC-2220H-1R8	1.80	85	1800
AISC-2220H-2R2	2.20	100	1750
AISC-2220H-2R7	2.70	110	1700
AISC-2220H-3R3	3.30	120	1650
AISC-2220H-3R9	3.90	130	1600
AISC-2220H-4R7	4.70	140	1550
AISC-2220H-5R6	5.60	170	1500
AISC-2220H-6R8	6.80	200	1400
AISC-2220H-8R2	8.20	220	1350
AISC-2220H-100	10.00	250	1250
AISC-2220H-120	12.00	270	1200
AISC-2220H-150	15.00	300	1100
AISC-2220H-180	18.00	310	1050
AISC-2220H-220	22.00	370	950
AISC-2220H-270	27.00	400	900
AISC-2220H-330	33.00	600	850
AISC-2220H-390	39.00	750	750
AISC-2220H-470	47.00	850	700
AISC-2220H-560	56.00	900	650
AISC-2220H-680	68.00	1200	550
AISC-2220H-820	82.00	1500	500
AISC-2220H-101	100.00	1600	450
AISC-2220H-121	120.00	1900	400
AISC-2220H-151	150.00	2200	380
AISC-2220H-181	180.00	2500	350
AISC-2220H-221	220.00	3500	300
AISC-2220H-271	270.00	4000	250
AISC-2220H-331	330.00	6000	200
AISC-2220H-391	390.00	6500	180
AISC-2220H-471	470.00	12000	150
AISC-2220H-561	560.00	12500	140
AISC-2220H-681	680.00	14500	130
AISC-2220H-821	820.00	15500	110
AISC-2220H-102	1000.00	17000	100

OPTIONS & PART IDENTIFICATION:

(Left blank if standard)

AISC - 2220H - □□□ - □ - □



UNSHIELDED SMD POWER INDUCTOR

AISC-2220H

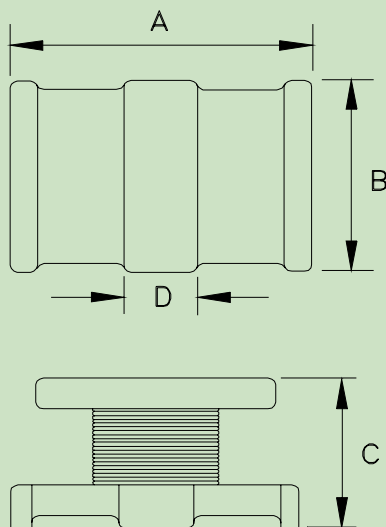


RoHS
Compliant

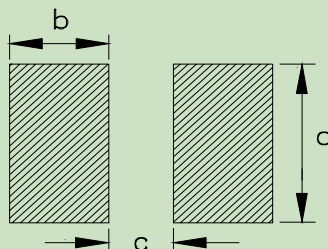


5.7 x 5.0 x 4.5mm

OUTLINE DRAWING:



Recommended Land Pattern

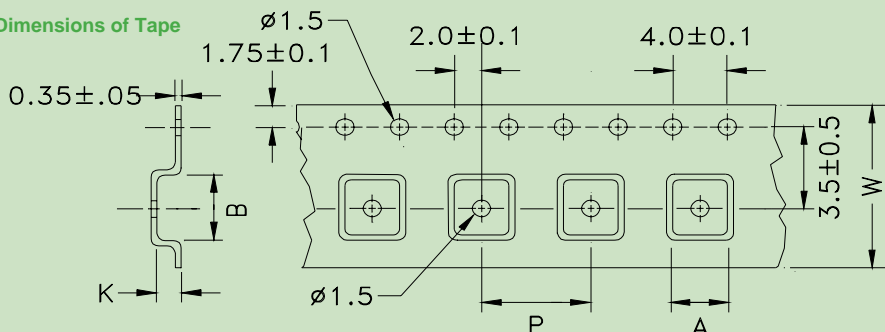


Series	A	B	C	D(ref)	a(ref)	b(ref)	c(ref)
AISC-2220H	0.224±0.012 (5.7 ±0.3)	0.197±0.012 (5.0 ±0.3)	0.177±0.012 (4.5 ±0.3)	0.079 (2.0)	0.197 (5.0)	0.059 (1.5)	0.071 (1.8)

Dimensions: Inches
(mm)

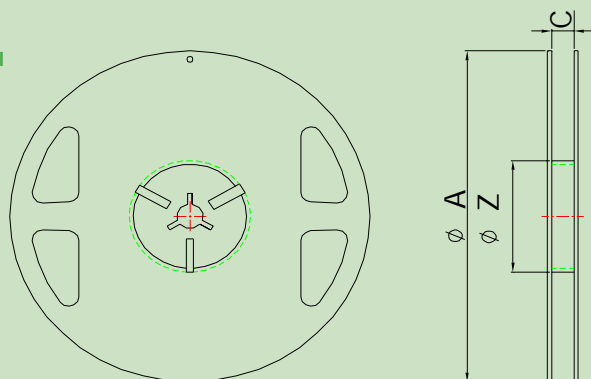
TAPE & REEL: Tape and reel 1,000pcs/reel

Dimensions of Tape



ABRACON P/N	A (mm)	B (mm)	K (mm)	P (mm)	T (mm)	W(mm)	PCS/REEL
AISC-2220H	5.3 ± 0.1	6.2 ± 0.1	5.4 ± 0.1	12.0 ± 0.1	0.35 ± 0.05	12.0 ± 0.3	1000

Dimensions of Reel



series	A	C	Z
AISC-2220H	330-0.5	12.4+2.0	100±1.0

Dimensions: mm

ABRACON IS
ISO 9001 / QS 9000
CERTIFIED



ABRACON
CORPORATION

Visit www.abracon.com for Terms & Conditions of Sale **Revised: 08.24.07**
30332 Esperanza, Rancho Santa Margarita, California 92688
tel 949-546-8000 | fax 949-546-8001 | www.abracon.com