

Description

- 155C maximum total temperature operation
- Surface mount inductors designed for high speed, high current switch mode applications requiring lower inductance
- Gapped ferrite cores for maximum efficiency
- Inductance values from 0.100 uH to 0.200 uH
- Current range up to 64 Amps
- Meets UL 94V-0 flammability standard
- RoHS Compliant (-R option)

Applications

- Voltage regulator modules (VRMs) for servers, microprocessors
- High frequency, high current switching power supplies

Environmental Data

- Storage temperature range: -40C to +155C
- Operating ambient temperature range: -40C to +155C (range is application specific).
- Infrared reflow temperature: +260C for 10 seconds maximum



Packaging

- Supplied in tape and reel packaging, 900 parts per reel

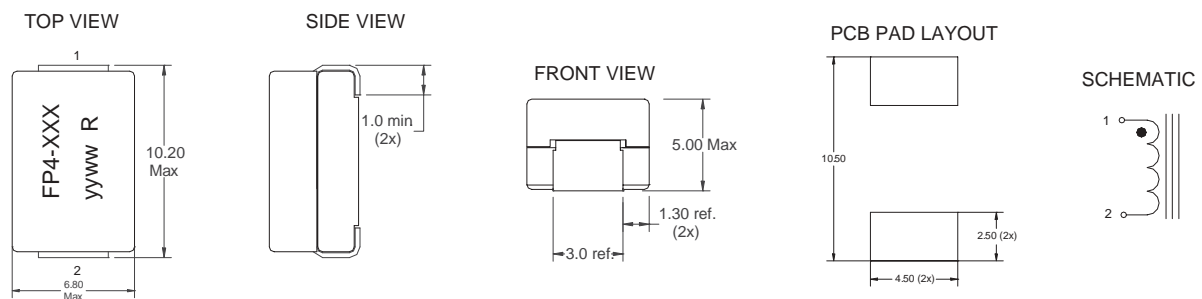
OPTION CODE	
Option Code	Description
-R	RoHS compliant version

Part Number	Rated Inductance μH	OCL (2) $\pm 15\%$ μH	Isat (5) Amperes Peak	Irms (4) Amperes	DCR Ω @ 20°C (Nom.)	DCR Ω @ 20°C (Max.)	Volts (3) μSec (ref.)
FP4-100	0.100	0.100	64	40	0.00048	0.00065	1.33
FP4-120	0.120	0.120	54	40	0.00048	0.00065	1.33
FP4-150	0.150	0.150	42	40	0.00048	0.00065	1.33
FP4-200	0.200	0.200	30	40	0.00048	0.00065	1.33

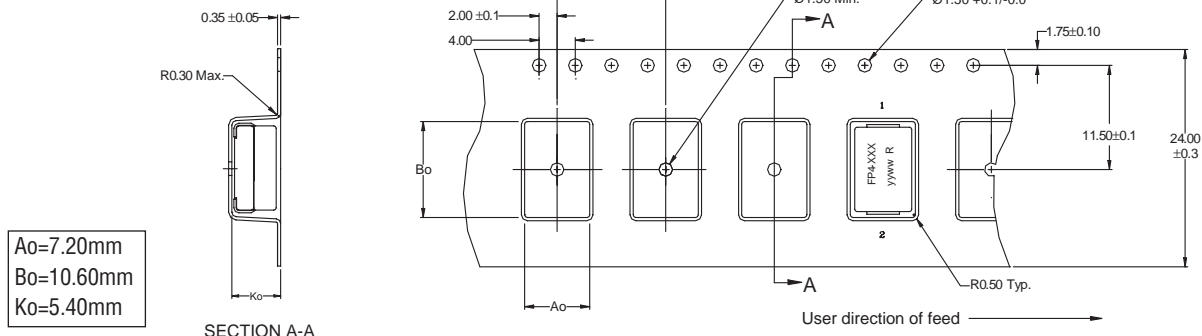
- 1) Units supplied in Tape & Reel packaging; 900 parts on 13" diameter reel.
- 2) OCL (Open Circuit Inductance) Test parameters: 1MHz, .100Vrms, 0.0Adc & ISAT @20°C
- 3) Applied Volt-Time product (V- μS) across the inductor. This value represents the applied V- μS at 500kHz necessary to generate a core loss equal to 10% of the total losses for 40°C temperature rise.

- 4) DC current for an approximate ΔT of 40°C without core loss. Derating is necessary for AC currents. PCB layout, trace thickness and width, airflow, and proximity of other heat generating components will affect the temperature rise. It is recommended that the temperature of the part not exceed 155°C under worst case operating conditions verified in the end application.
- 5) Peak Current for approximately 30% rolloff @ 20°C

Mechanical Diagrams

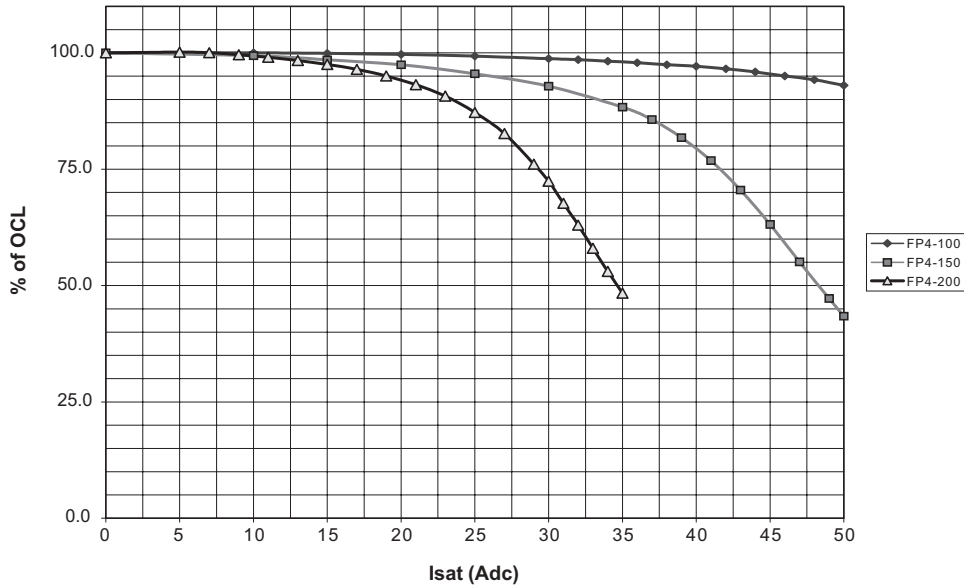


Packaging Information



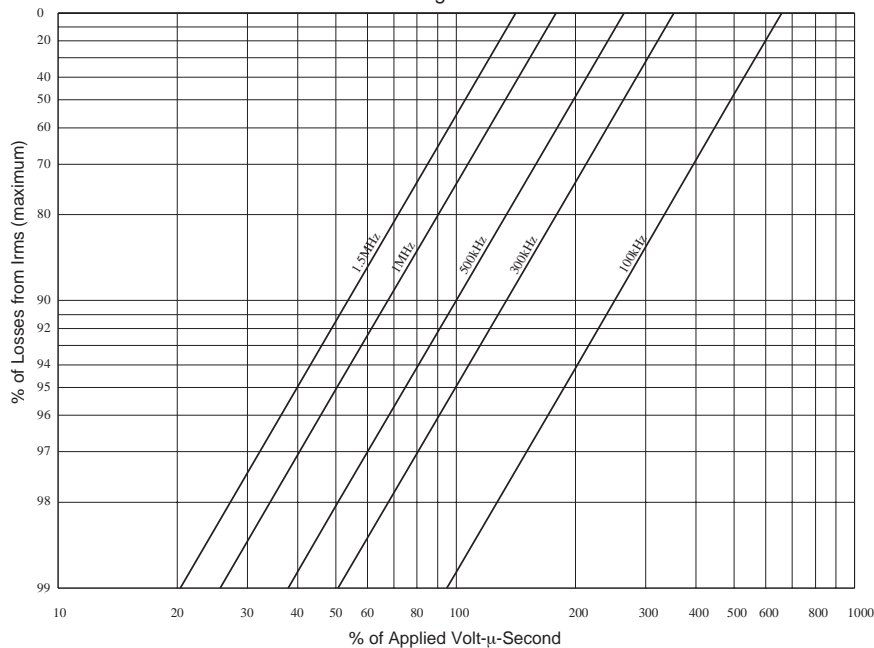
Rolloff

Inductance Rolloff vs Isat



Core Loss

Irms Derating with Core Loss



This bulletin is intended to present product design solutions and technical information that will help the end user with design applications. Cooper Electronic Technologies reserves the right, without notice, to change design or construction of any products and to discontinue or limit distribution of any products. Cooper Electronic Technologies also reserves the right to change or update, without notice, any technical information contained in this bulletin. Once a product has been selected, it should be tested by the user in all possible applications.

Life Support Policy: Cooper Electronic Technologies does not authorize the use of any of its products for use in life support devices or systems without the express written approval of an officer of the Company. Life support systems are devices which support or sustain life, and whose failure to perform, when properly used in accordance with instructions for use provided in the labeling, can be reasonably expected to result in significant injury to the user.