

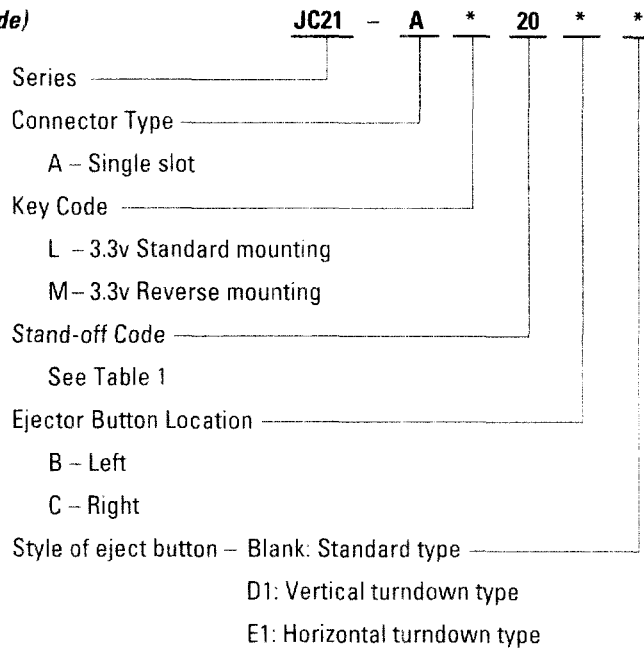
JC21 SERIES CONNECTORS

Three-Piece Connectors for IC Memory Cards

■ JC21 SERIES CONNECTORS WITH EJECT MECHANISM FOR SYSTEM SIDE CARD BUS CONNECTOR

ORDERING INFORMATION

(Frame Side)



(PCB Side)

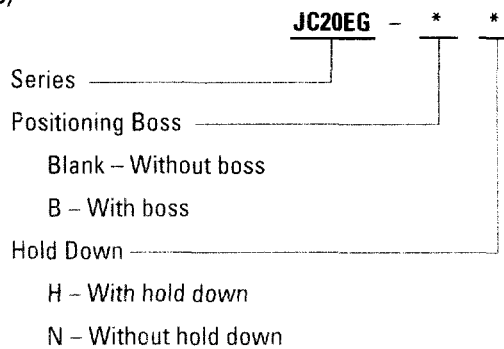


Table 1

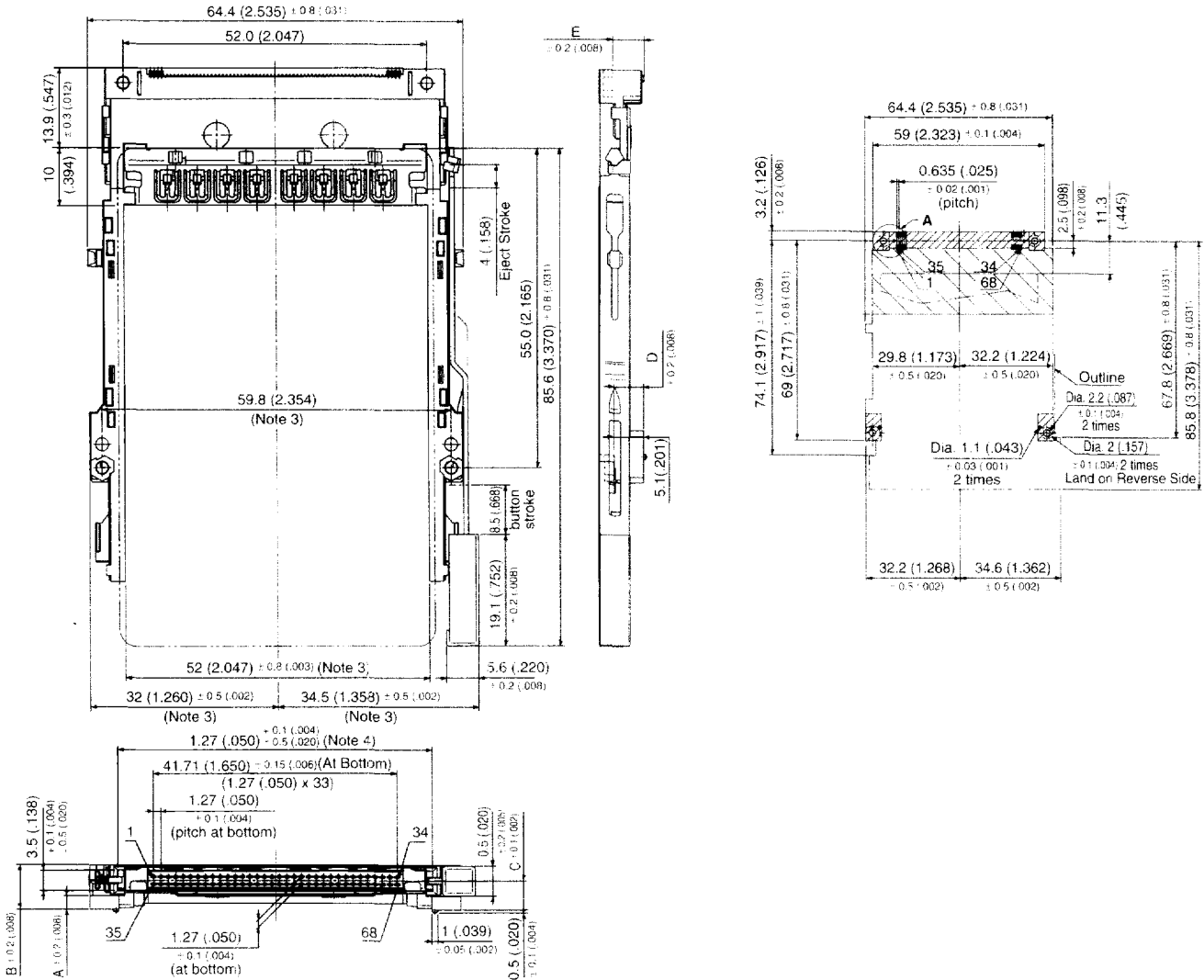
Code of Stand-off	A	B	C	D	E	F	G
None	0.3 (.012)	5.65 (.222)	2.95 (.116)	3.1 (.122)	3.45 (.136)	0	0
20	2.3 (.091)	7.65 (.301)	4.95 (.195)	5.1 (.201)	5.45 (.215)	2.1 (.083)	1.8 (.071)

Dimensions in mm (inches).

JC21 SERIES CONNECTORS

Three-Piece Connectors for Card Bus

JC21 SERIES CONNECTORS • PIN CONNECTOR FOR SYSTEM SIDE THREE PIECE CONNECTOR—CARD BUS



Length of Contact Connecting Area

Contact Number	Terminal Length
1, 17, 34, 35, 51, 68	5 ± 0.1 (.197 ± .004)
36, 67	3.5 ± 0.1 (.138 ± .004)
Others	4.25 ± 0.1 (.167 ± .004)

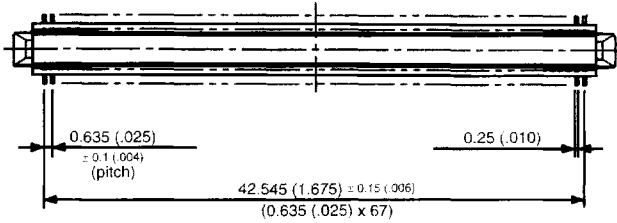
Dimensions in mm (inches).

JC21 SERIES CONNECTORS

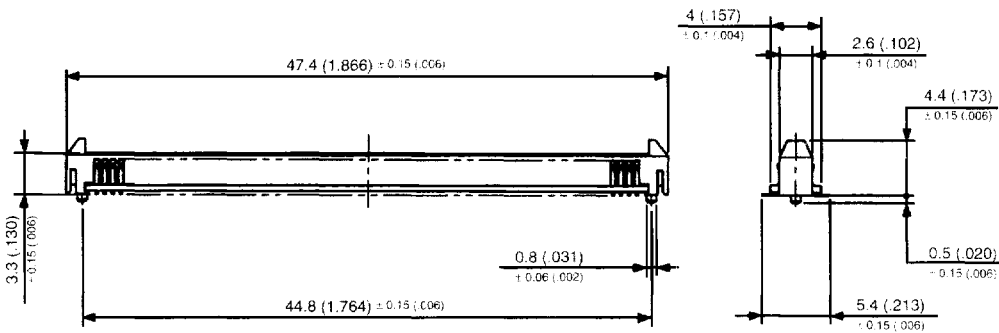
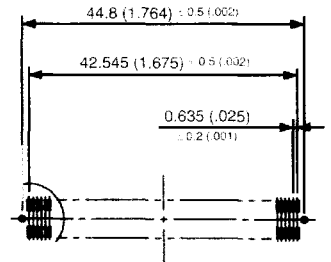
Three-Piece Connectors for Card Bus

JC21 SERIES CONNECTORS • PIN CONNECTOR FOR SYSTEM SIDE THREE PIECE CONNECTOR—CARD BUS

PCB SIDE



PCB Layout (Ref.)



Dimensions in mm (inches).



Hong Kong
Tel: 2723-7782
Fax: 2723-9028

Japan
03-3780-2715
03-3780-2883

Korea
2-551-8959
2-551-8958

Philippines
46-433-0276
46-433-0287

Singapore
748-1332
748-2920

Taiwan
02-555-9711
02-556-5424

Europe
1276-21717
1276-66165

United States
949-753-2600
949-753-2699