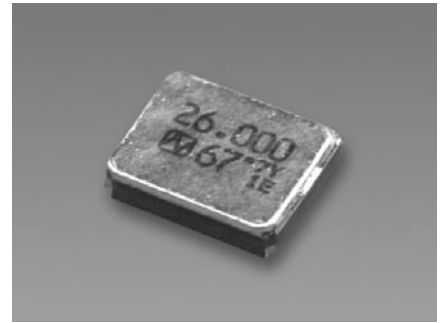


## NX2016AA For OA / AV/ Short-range Wireless

### ■ Features

A small and thin surface-mount type crystal unit, especially suited for small-sizing requirements.

- Ultra compact and thin. (2.0 × 1.6 × 0.45 mm typ.)
- Excellent environmental characteristics, including heat and shock resistance.
- Excellent electrical performance, ideal for OA (office automation), AV (audiovisual), Bluetooth and Wireless LAN applications.
- Lead-free. Meets the requirements for re-flow profiling using lead-free solder.



**Pb Free**

**RoHS Compliant**  
Directive 2002/95/EC

### ■ Specifications

Item	Model	NX2016AA
Frequency Range		24 to 80 MHz
Overtone Order		Fundamental
Frequency Tolerance (25 ±3 °C)		±15 × 10 <sup>-6</sup>
Temperature Characteristics (with reference to +25 °C)		±25 × 10 <sup>-6</sup>
Operating Temperature Range		-40 to +85 °C
Storage Temperature Range		-40 to +85 °C
Equivalent Series Resistance		Refer to *1
Drive Level		10 μW (Max. 200 μW)
Load Capacitance		8 pF

The above specifications are standard for this NDK product. Custom-made specifications such as load capacitance and temperature characteristics are also available. Please contact NDK sales with your enquiries.

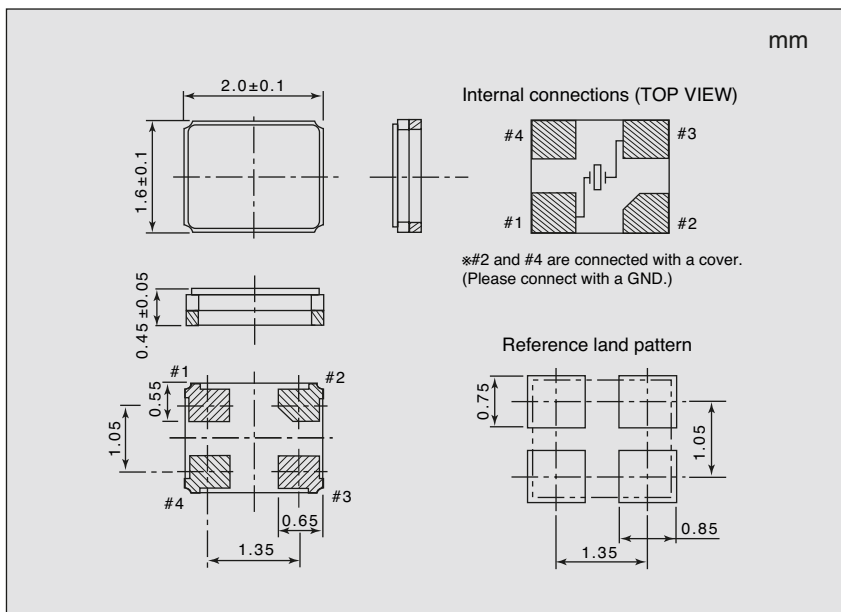
### ■ How to Specify an Order

When ordering our products, specify them with an "Ordering Code" that consists of the following :

Model name - Frequency (Max : 9 digits) M - Number for specifying an order      Example NX2016AA-24.000M-STD-CSZ-4

If you have any queries concerning our standard frequencies and numbers for specifying orders, please contact our sales representatives or visit our homepage (<http://www.ndk.com/>).

### ■ Dimensions



\*1 Equivalent Series Resistance

Frequency Range (MHz)	Equivalent Series Resistance max. [Ω]
24 to 26	80
26 to 40	60
40 to 80	50