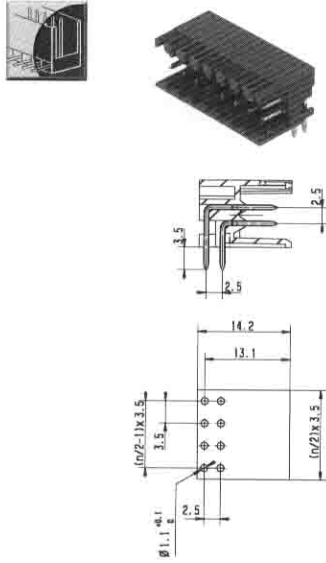


Minimate Range- S2L/B2L 3.5 with Gold-Plated Contacts



Pin headers S2L 3.5/90

new



Technical data	VDE	UL	CSA
Rated voltage (V)	100*	150	50
Rated current (A)	7.5 ¹⁾	10	5

*Pollution severity 3 / Overvoltage category III
Additional technical data see page 210

Solder pin length
gold-plated contacts

3.5 mm 3.5 mm

Color		Part No.	Part No.	Qty.
6	S2L 3.5/6/90 AU	1755680000	1755840000	50
8	S2L 3.5/8/90 AU	1755690000	1755850000	50
10	S2L 3.5/10/90 AU	1755700000	1755860000	50
12	S2L 3.5/12/90 AU	1755710000	1755870000	50
14	S2L 3.5/14/90 AU	1755720000	1755880000	50
16	S2L 3.5/16/90 AU	1755730000	1755890000	50
18	S2L 3.5/18/90 AU	1755740000	1755900000	20
20	S2L 3.5/20/90 AU	1755750000	1755910000	20
22	S2L 3.5/22/90 AU	1755760000	1755920000	20
24	S2L 3.5/24/90 AU	1755770000	1755930000	20
26	S2L 3.5/26/90 AU	1755780000	1755940000	20
28	S2L 3.5/28/90 AU	1755790000	1755950000	20
30	S2L 3.5/30/90 AU	1755800000	1755960000	20
32	S2L 3.5/32/90 AU	1755810000	1755970000	20
34	S2L 3.5/34/90 AU	1755820000	1755980000	20
36	S2L 3.5/36/90 AU	1755830000	1755990000	20

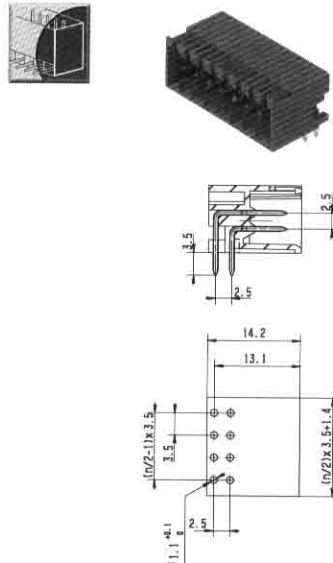
Minimum order quantity applies for gold-plated S2L 3.5.
Please consult factory for details.

¹⁾ 36 poles = max. 6.8 A

Accessories	Page
Mounting	-
Marking	190
Coding	193
Miscellaneous	198

Pin headers S2L 3.5/90G

new



Technical data	VDE	UL	CSA
Rated voltage (V)	100*	150	50
Rated current (A)	7.5 ¹⁾	10	5

*Pollution severity 3 / Overvoltage category III
Additional technical data see page 210

Solder pin length
gold-plated contacts

3.5 mm 3.5 mm

Color		Part No.	Part No.	Qty.
6	S2L 3.5/6/90G AU	1755360000	1755520000	50
8	S2L 3.5/8/90G AU	1755370000	1755530000	50
10	S2L 3.5/10/90G AU	1755380000	1755540000	50
12	S2L 3.5/12/90G AU	1755390000	1755550000	50
14	S2L 3.5/14/90G AU	1755400000	1755560000	50
16	S2L 3.5/16/90G AU	1755410000	1755570000	50
18	S2L 3.5/18/90G AU	1755420000	1755580000	20
20	S2L 3.5/20/90G AU	1755430000	1755590000	20
22	S2L 3.5/22/90G AU	1755440000	1755600000	20
24	S2L 3.5/24/90G AU	1755450000	1755610000	20
26	S2L 3.5/26/90G AU	1755460000	1755620000	20
28	S2L 3.5/28/90G AU	1755470000	1755630000	20
30	S2L 3.5/30/90G AU	1755480000	1755640000	20
32	S2L 3.5/32/90G AU	1755490000	1755650000	20
34	S2L 3.5/34/90G AU	1755500000	1755660000	20
36	S2L 3.5/36/90G AU	1755510000	1755670000	20

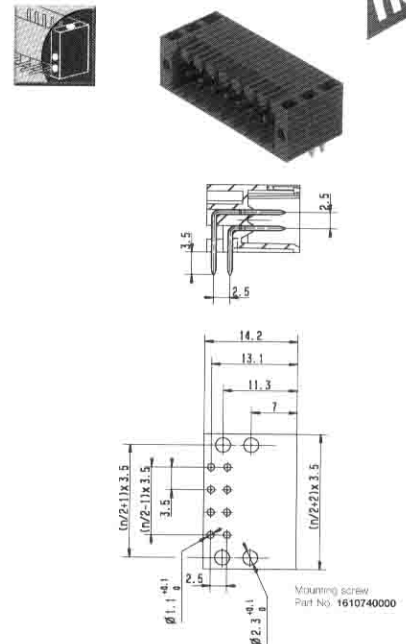
Minimum order quantity applies for gold-plated S2L 3.5.
Please consult factory for details.

¹⁾ 36 poles = max. 6.8 A

Accessories	Page
Mounting	-
Marking	190
Coding	193
Miscellaneous	198

Pin headers S2L 3.5/90F

new



Technical data	VDE	UL	CSA
Rated voltage (V)	100*	150	50
Rated current (A)	7.5 ¹⁾	10	5

*Pollution severity 3 / Overvoltage category III
Additional technical data see page 210

Solder pin length
gold-plated contacts

3.5 mm 3.5 mm

Color		Part No.	Part No.	Qty.
6	S2L 3.5/6/90F AU	1756000000	1756160000	50
8	S2L 3.5/8/90F AU	1756010000	1756170000	50
10	S2L 3.5/10/90F AU	1756020000	1756180000	50
12	S2L 3.5/12/90F AU	1756030000	1756190000	50
14	S2L 3.5/14/90F AU	1756040000	1756200000	50
16	S2L 3.5/16/90F AU	1756050000	1756210000	50
18	S2L 3.5/18/90F AU	1756060000	1756220000	20
20	S2L 3.5/20/90F AU	1756070000	1756230000	20
22	S2L 3.5/22/90F AU	1756080000	1756240000	20
24	S2L 3.5/24/90F AU	1756090000	1756250000	20
26	S2L 3.5/26/90F AU	1756100000	1756260000	20
28	S2L 3.5/28/90F AU	1756110000	1756270000	20
30	S2L 3.5/30/90F AU	1756120000	1756280000	20
32	S2L 3.5/32/90F AU	1756130000	1756290000	20
34	S2L 3.5/34/90F AU	1756140000	1756300000	20
36	S2L 3.5/36/90F AU	1756150000	1756310000	20

Minimum order quantity applies for gold-plated S2L 3.5.
Please consult factory for details.

¹⁾ 36 poles = max. 6.8 A

Accessories	Page
Mounting	188
Marking	190
Coding	193
Miscellaneous	198