

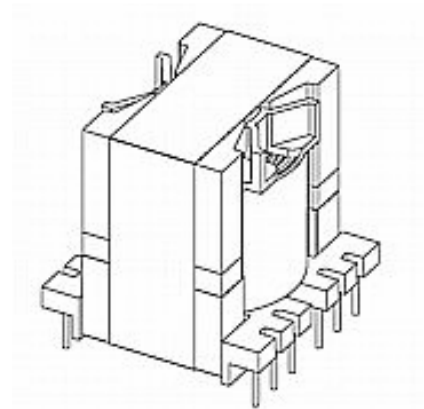
**Inverter Transformer
SMD TYPE**

SPECIFICATIONS

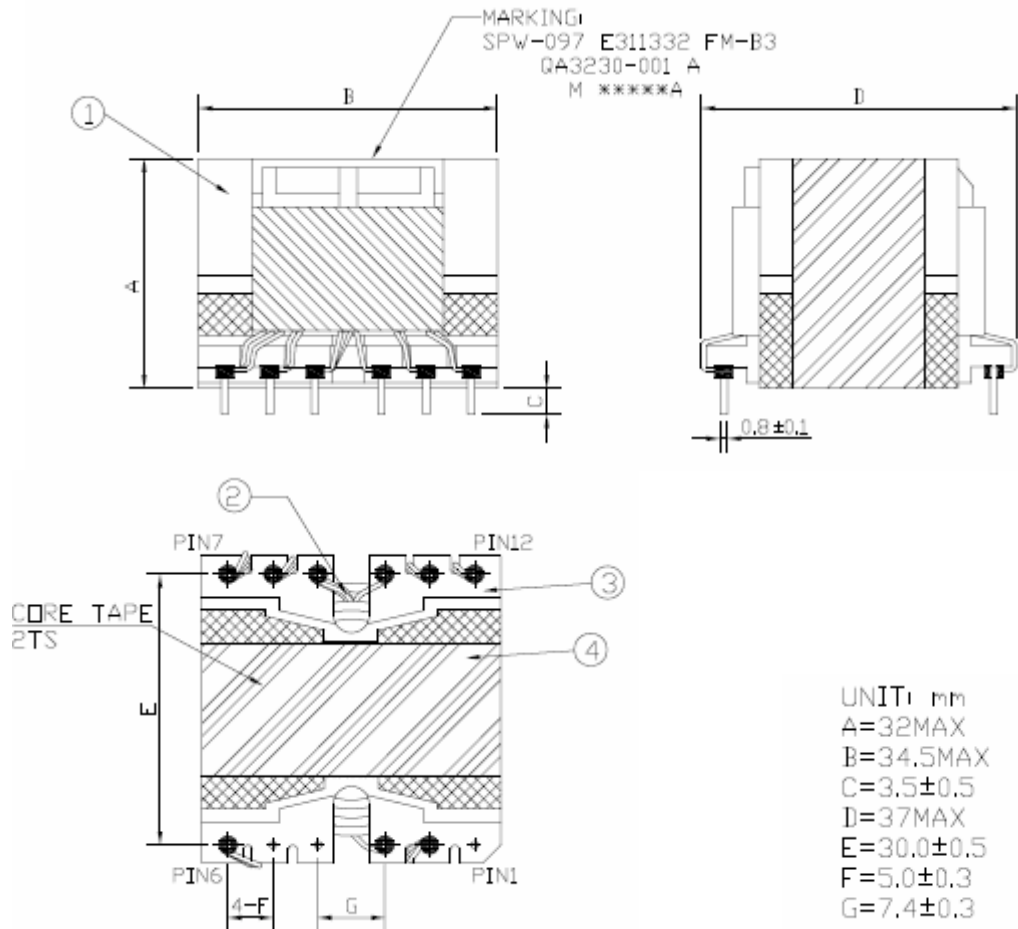
Feature

- Low profile and small size*
- Magnetically shielded*
- Tape and reel package*
- Operating Temperature: -20°C to +130°C*
- Inductance: .755 μ H \pm 7%*
- Lk : 14 μ H Max.*
- DCR :0.21 Ω Max.*
- Coil SPC.: Φ 0.6 43Ts*

**Applications
POWER SUPPLY**



DRAWING



ORDERING INFORMATION

