

# Customer Information Sheet

DRAWING No.: D01-967XXXX

SHEET 2 OF 2

IF IN DOUBT - ASK

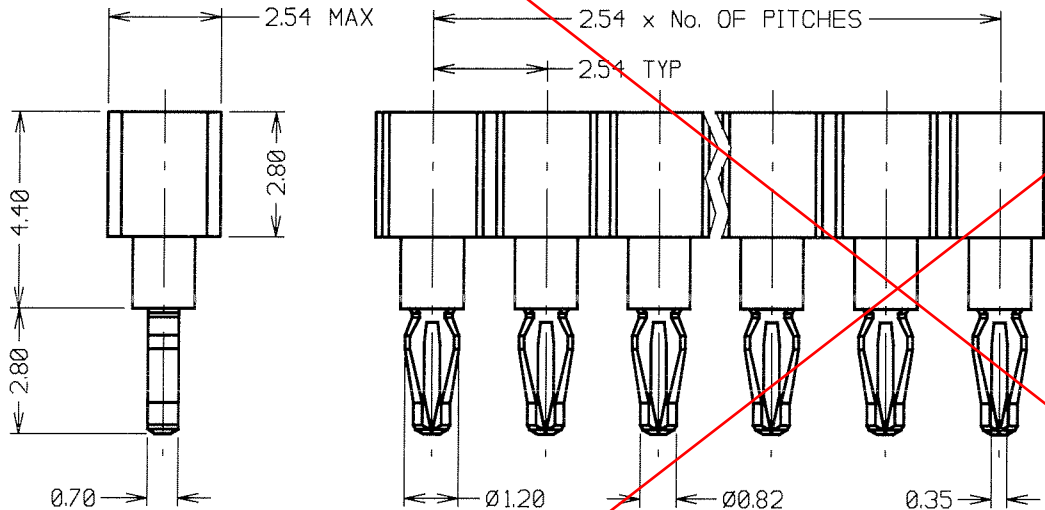
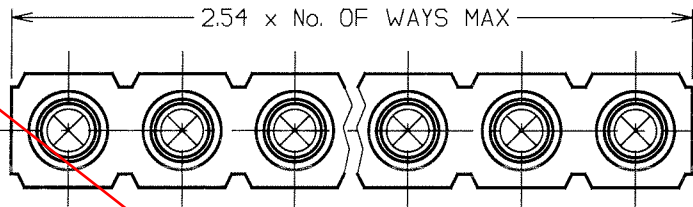
©

NOT TO SCALE

THIRD ANGLE PROJECTION

ALL DIMENSIONS IN mm

**OBSOLETE**



**SPECIFICATIONS:**

**MATERIALS:**

MOULDING = GLASS-FILLED POLYESTER,  
BLACK, UL94V 0

CONTACT CLIP = BERYLLIUM COPPER

CONTACT SHELL = BRONZE

**FINISH:**

01 - CLIP = 0.25µ GOLD OVER 2-3µ NICKEL

SHELL = 5µ 90/10 TIN/LEAD OVER 2-3µ NICKEL

T6 - CLIP = 5µ 90/10 TIN/LEAD OVER 2-3µ NICKEL

SHELL = 5µ 90/10 TIN/LEAD OVER 2-3µ NICKEL

**ELECTRICAL:**

CURRENT RATING (PER CONTACT) = 1 AMP MAX

VOLTAGE RATING = 100V AC, 150V DC MAX

CONTACT RESISTANCE = 10 MILLIOHMS MAX

INSULATION RESISTANCE = 10,000 MEGOHMS MIN  
AT 500V AC

DIELECTRIC STRENGTH = 1,000V AC MIN

**ENVIRONMENTAL:**

TEMPERATURE RANGE = -55°C TO +125°C

**MECHANICAL:**

DURABILITY = 500 OPERATIONS

INSERTION FORCE (Ø0.46mm GAUGE) = 1.8N

WITHDRAWAL FORCE (Ø0.46mm GAUGE) = 1.0N

INSERTION FORCE IN PCB = 200N MAX

RETENTION FORCE IN PCB (INITIAL) = 25N MIN

RETENTION FORCE IN PCB AFTER 3 INSERTIONS  
= 12.5N MIN

**NOTES:**

1. RECOMMENDED PLATED-THROUGH HOLE SIZE = Ø1.09-0.94mm.
2. RECOMMENDED PC BOARD THICKNESS = 1.5 TO 2.0mm.
3. RECOMMENDED MATING PIN DIAMETER = Ø0.56-0.40mm.
4. MATING PIN LENGTH = 2.40mm MIN, 3.65mm MAX.

**ORDER CODE:**

**D01-967XXXX**

No. OF WAYS

02 TO 64

**FINISH:**

01 - GOLD CLIP, 90/10 TIN/LEAD SHELL

T6 - 90/10 TIN/LEAD CLIP AND SHELL

1	15.08.00	----
ISS.	DATE	C/NOTE
APPROVED:		
CHECKED:		
DRAWN: W. J. BOURNE		
CUSTOMER REF.:		
ASSEMBLY DRG:		

**HARWIN**

THIS DRAWING AND ANY INFORMATION OR DESCRIPTIVE MATTER SET OUT HEREON ARE CONFIDENTIAL AND COPYRIGHT PROPERTY OF THE HARWIN GROUP AND MUST NOT BE DISCLOSED, LOANED, COPIED OR USED FOR MANUFACTURING, TENDERING OR FOR ANY OTHER PURPOSE WITHOUT THEIR WRITTEN PERMISSION.

**TOLERANCES**

X. = ±1mm  
X.X = ±0.25mm  
X.XX = ±0.10mm  
X.XXX = ±0.01mm  
ANGLES = ±1°  
UNLESS STATED

**MATERIAL:**

SEE ABOVE

FINISH: SEE ABOVE

S/AREA: mm²

TITLE: 2.54mm PITCH SIL  
VERTICAL PRESS-FIT PC TAIL  
FEMALE SOCKET ASSEMBLY

DRAWING NUMBER:

**D01-967XXXX**

SHT  
2  
OF  
2

HARWIN INC  
U.S.A.  
TEL: (812) 285 0055  
FAX: (812) 285 0056

HARWIN PLC  
U.K.  
TEL: 023 9237 0451  
FAX: 023 9231 4590

HARWIN PTE  
SINGAPORE  
TEL: 65 7794909  
FAX: 65 7793868