

SPECIFICATIONS

Mechanical

Mating Force: 5Pounds max.
Unmating Force: 10Pounds max.
Durability: 1000 Cycles

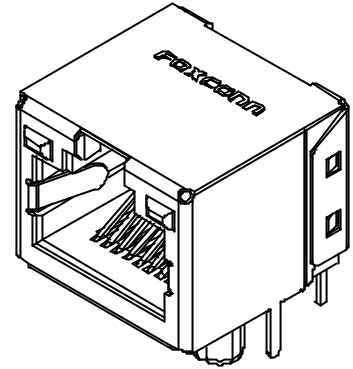
Electrical

Current Rating: 1.5A max.
Contact Resistance: 50mW max.
Dielectric Withstanding Voltage: 1000V

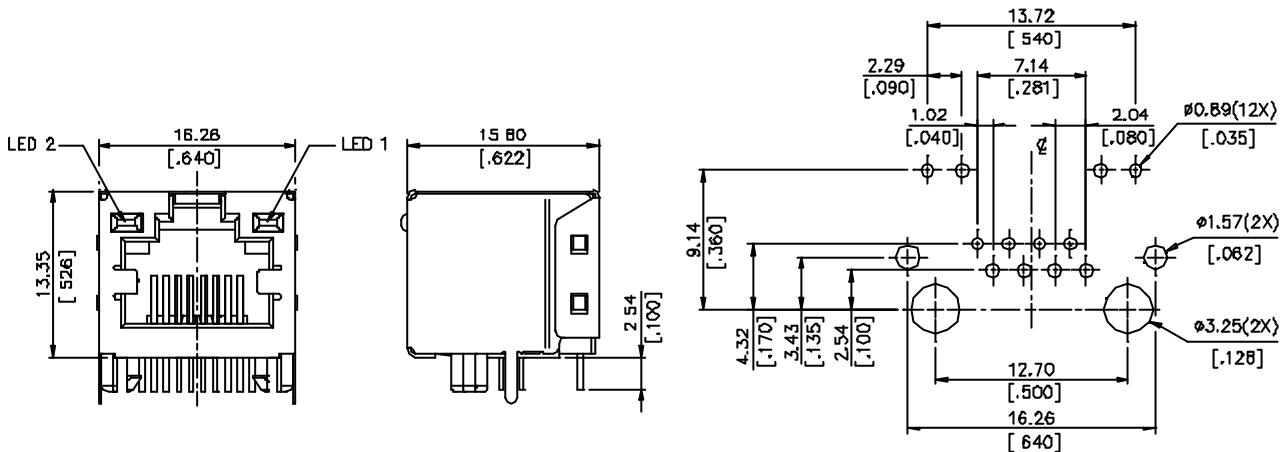
Physical

Housing: Thermoplastic, UL 94V-0 rated in Black Color
Contact: Copper Alloy
Plating: See "ORDERING INFORMATION"
Shell: Copper Alloy
Operating Temperature: -30 to +85

JM Series
RJ45 1X1
R/A, T/H Type
1.02mm [.040"] Pitch



DRAWING



RECOMMENDED P.C.B. LAYOUT

ORDERING INFORMATION

PRODUCT NO. : JM 3 6 1 1 * - LT*

Series Prefix — JM=Modular Jack
 Body & Termination — 3=R/A All Shield T/H
 Design Type — 6=W/O PENEL-GND Shell,W/B/L
 POS. Type — 1=8P8C
 Extension Code —
 Contact Area Plating — 1=Flash Gold, 3=30u" Gold, 5=50u" Gold, 7=15u" Gold
 No. of Body — 1=1Port

JM3611*-LT9	Yellow-Green	Yellow-Green
JM3611*-LT8	Yellow-Green	Yellow
JM3611*-LT7	Orange-Green	Yellow
JM3611*-LT6	Green	Red
JM3611*-LT5	TBD	
JM3611*-LT4	Yellow	Yellow
JM3611*-LT3	Green	Yellow
JM3611*-LT2	Green	Green
JM3611*-LT1	Yellow	Green
JM3611*-LTO	None	
P/N	LED 2	LED 1