

SPECIFICATIONS

Mechanical

Mating Force: 5Pounds max.
Unmating Force: 10Pounds max.
Durability: 1000 Cycles

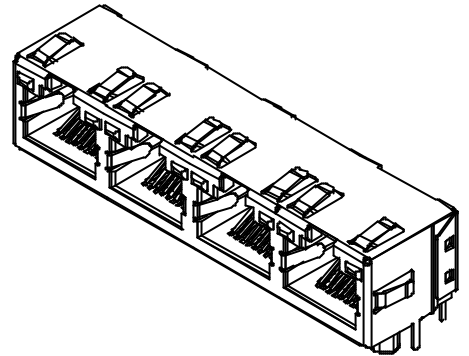
Electrical

Current Rating: 1.5A max.
Contact Resistance: 50mW max.
Dielectric Withstanding Voltage: 1000V

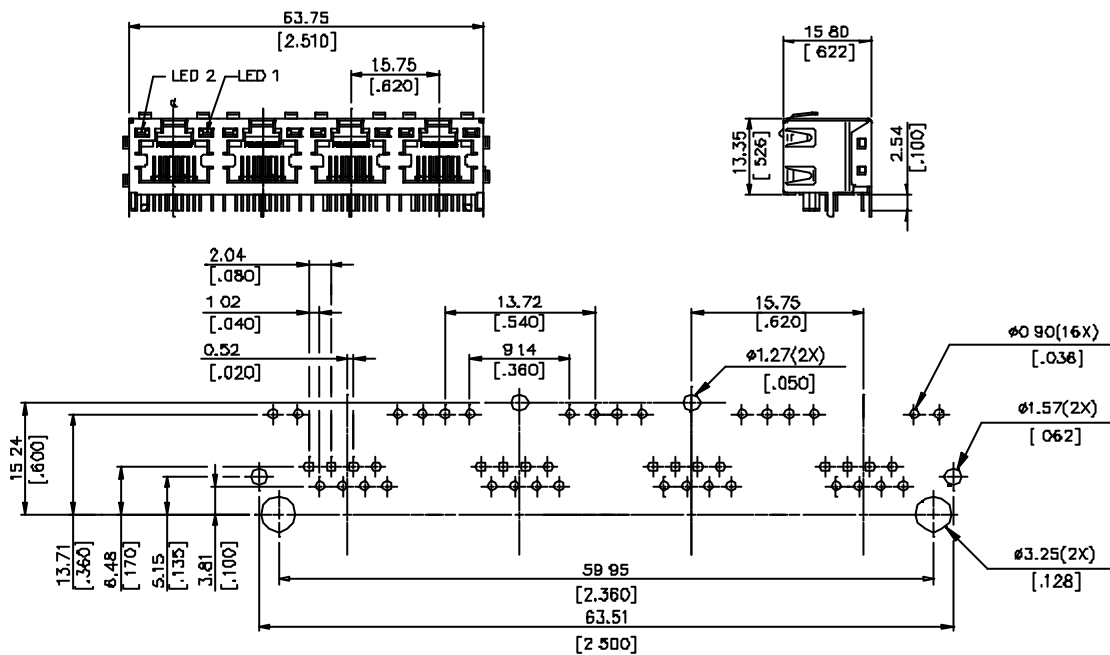
Physical

Housing: Thermoplastic, UL 94V-0 rated in Black Color
Contact: Copper Alloy
Plating: See "ORDERING INFORMATION"
Shell: Copper Alloy
Operating Temperature: -30 to +85

JM Series
RJ45 1X4
R/A, T/H Type
1.02mm [.040"] Pitch



DRAWING



RECOMMENDED P,C,B, LAYOUT

ORDERING INFORMATION

PRODUCT NO. : **JM 3 7 1 4 * - LT***

Series Prefix
JM=Modular Jack

Body & Termination
3=R/A All Shield T/H
Design Type
7=W/Top & Side PANEL-GND, W/B/L

POS. Type
1=8P8C

Extension Code

Contact Area Plating
1=Flash Gold
3=30u" Gold
5=50u" Gold
7=15u" Gold

No. of Body
4=4Ports

JM3714*-LT9	Yellow-Green	Yellow-Green
JM3714*-LT8	Yellow-Green	Yellow
JM3714*-LT7	Orange-Green	Yellow
JM3714*-LT6	Green	Red
JM3714*-LT5	TBD	
JM3714*-LT4	Yellow	Yellow
JM3714*-LT3	Green	Yellow
JM3714*-LT2	Green	Green
JM3714*-LT1	Yellow	Green
JM3714*-LT0	None	
P/N	LED 2	LED 1